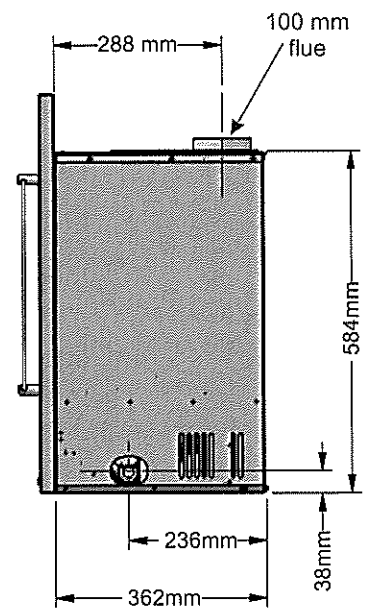
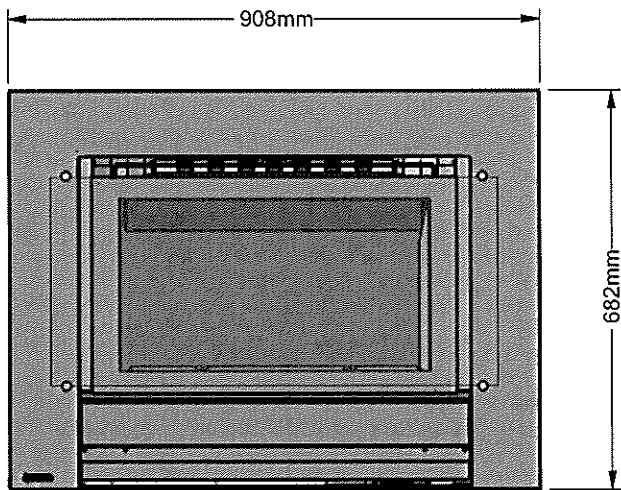
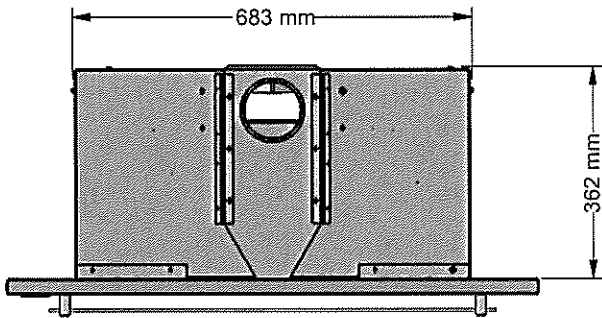


UNIT DIMENSIONS

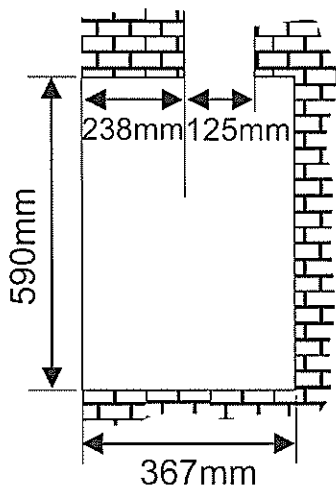
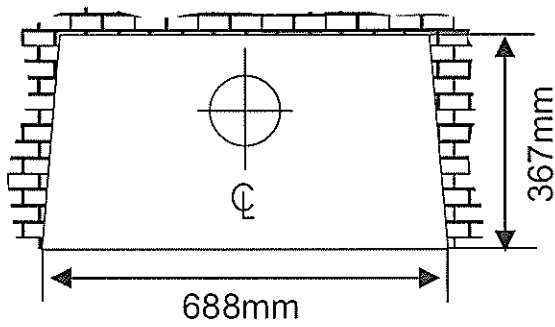


MINIMUM FIREPLACE DIMENSIONS

The below minimum cavity requirements are to be maintained to ensure safe and proper operation of the appliance. Ensure all construction conforms to local building codes.

MASONRY INSTALLATION:

The minimum fireplace dimensions for a masonry installation are shown in the diagrams below.

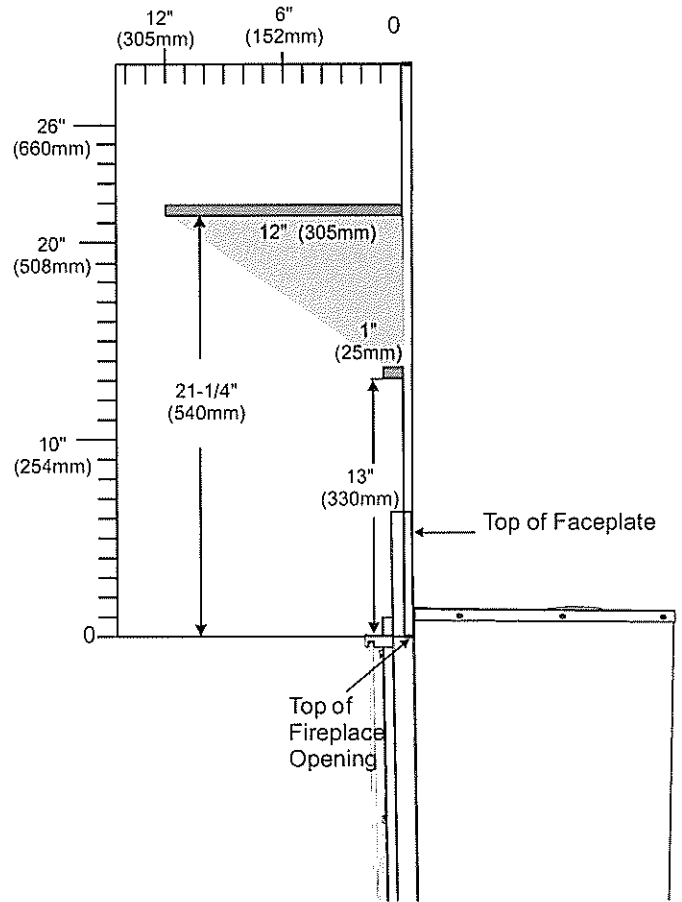
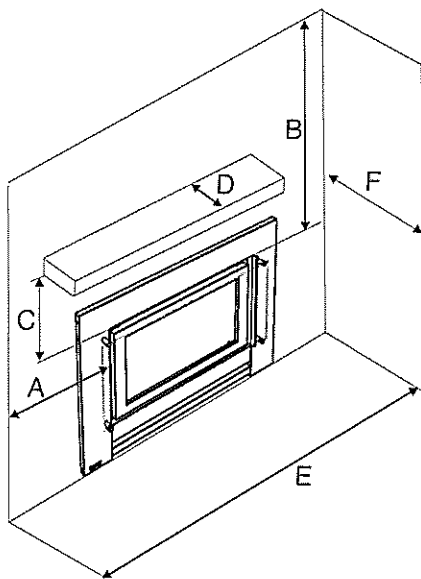


INSTALLATION

MINIMUM CLEARANCES TO COMBUSTIBLES

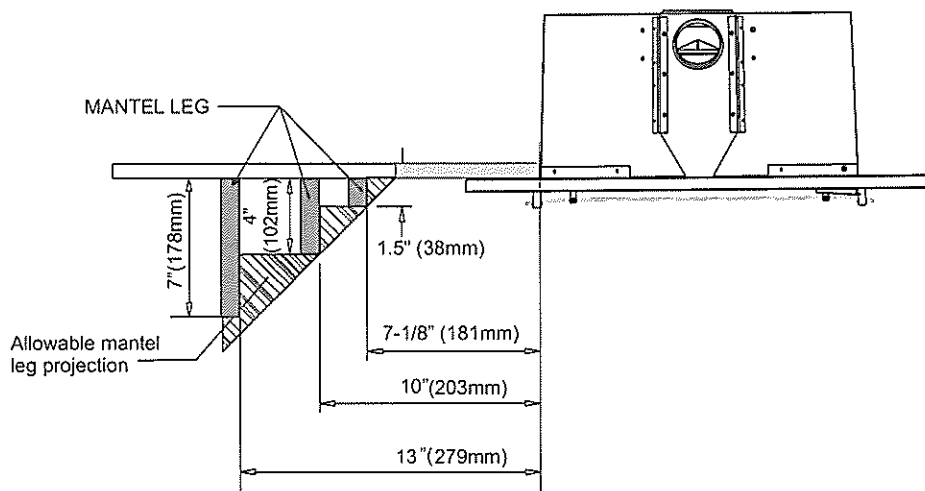
The minimum fireplace clearances for the Regency gas space heater are shown in the following diagrams:

	From Unit	
Sides	A	464 mm
Ceiling	B	860 mm
Mantle	C	see Mantel Clearances
Min. Alcove Width	E	1924 mm
Max. Alcove Depth	F	914 mm



MANTEL LEG CLEARANCES

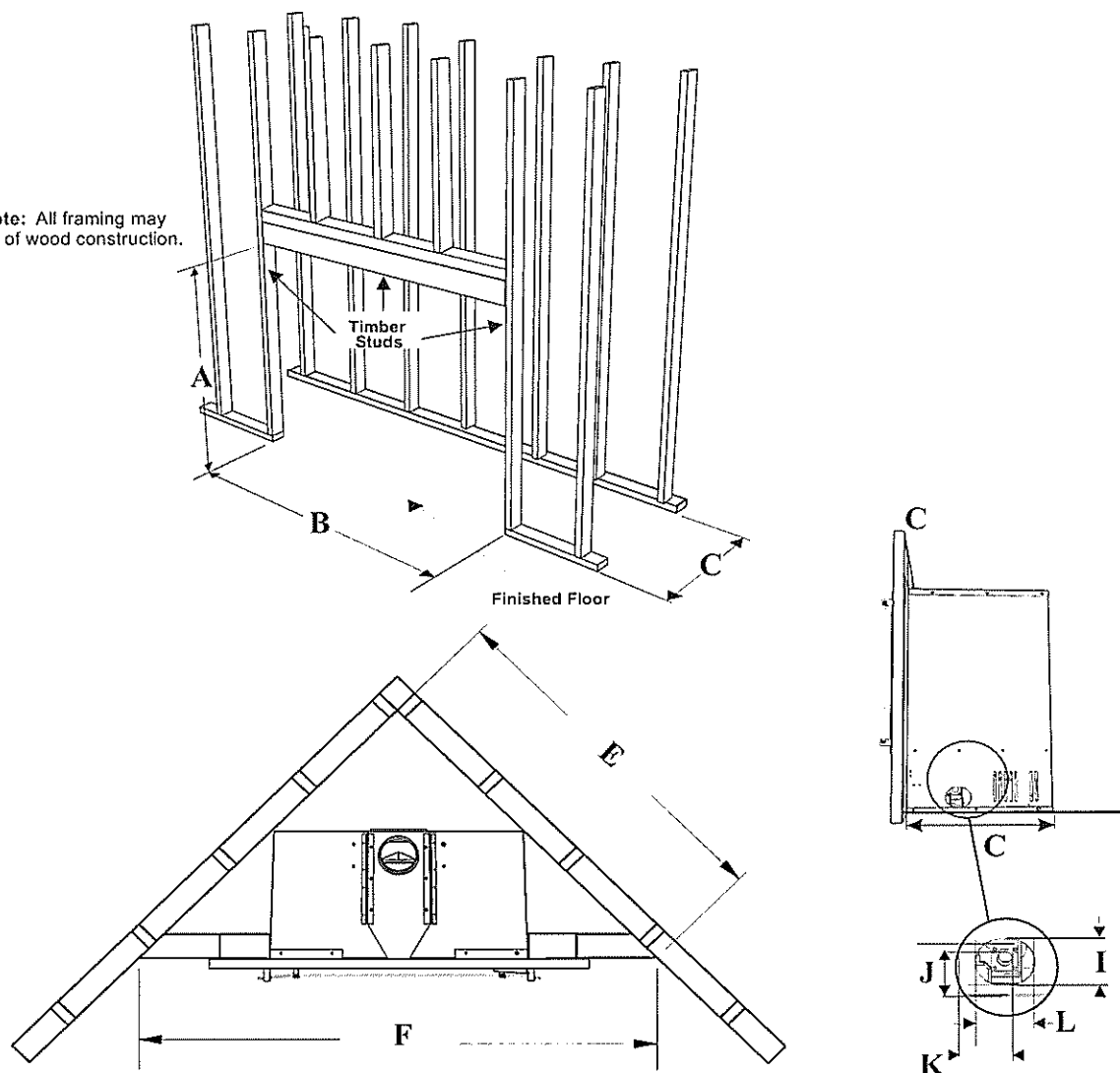
Combustible mantel leg clearances as per diagram:



MOCK FIREPLACE (ZERO CLEARANCE) DIMENSIONS (NO MASONRY CHIMNEY)

Framing Dimensions	Description	GFI300L
A	Framing Height	25-5/8" (650mm)
B	Framing Width	31-1/2" (800mm)
C*	Framing Depth	16-1/2" (420mm)
E	Corner Wall Depth	39-9/16" (1006mm)
F	Corner Facing Wall Width	56" (1422mm)
I	Gas Connection Opening Height	2" (51mm)
J	Gas Connection Height	2-5/8" (67mm)
K	Gas Connection Inset	3-11/16" (99mm)
L	Gas Connection Opening Width	2-1/2" (64mm)

Note: All framing may be of wood construction.



INSTALLATION

MOCK FIREPLACE (ZERO CLEARANCE) INSTALLATION

Mock Fireplace (zero clearance) Kit Contents	
3	Standoffs
2	Side brackets

STANDOFF ASSEMBLY

The top, side, rear and bottom standoffs are shipped in a flat position and must be folded into shape and attached - see Diagram 1.

1. Remove the standoffs from the unit.
2. Take each standoff and bend into the correct shape. Bend up at the bend lines until the screw holes in the standoff and the pre-punched screw holes on the unit line up.

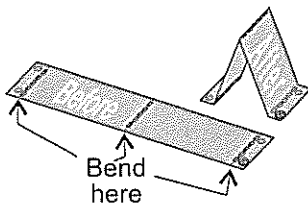


Diagram 1

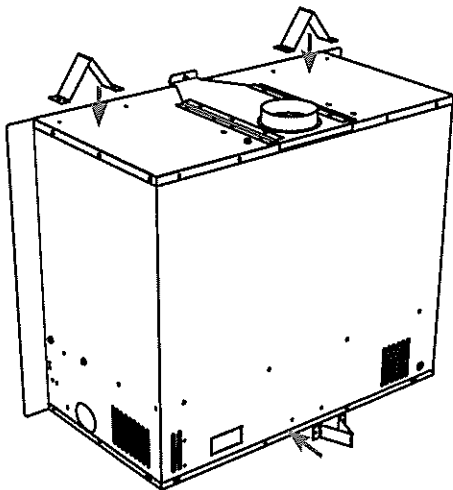


Diagram 2

3. Install left and right nailing brackets. Remove existing screws from the outside of the unit - line up bracket with holes in the unit and secure with 2 removed screws.

See framing clearance dimensions in the installation manual.

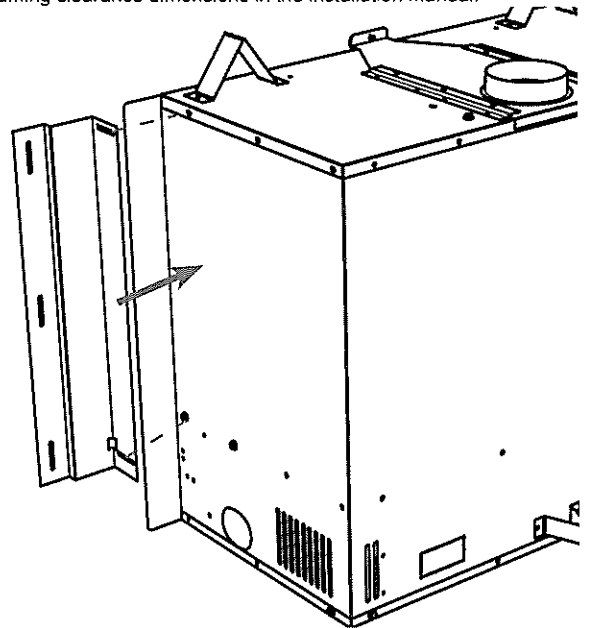


Diagram 3

Note: Side brackets can be adjusted between 13 mm to 38 mm. This adjustment must be done before unit is moved into framed opening.

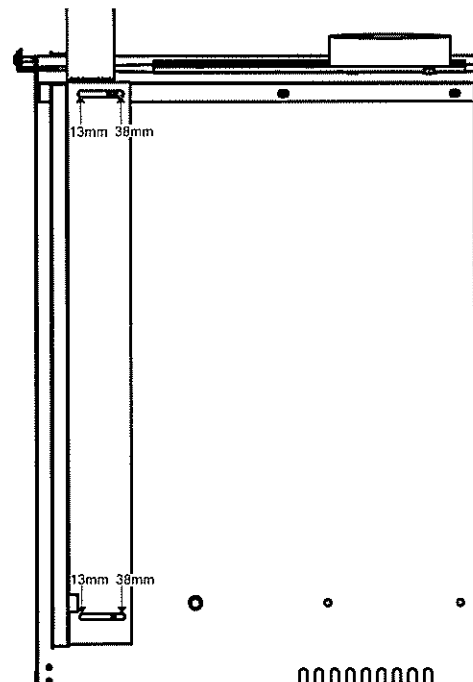


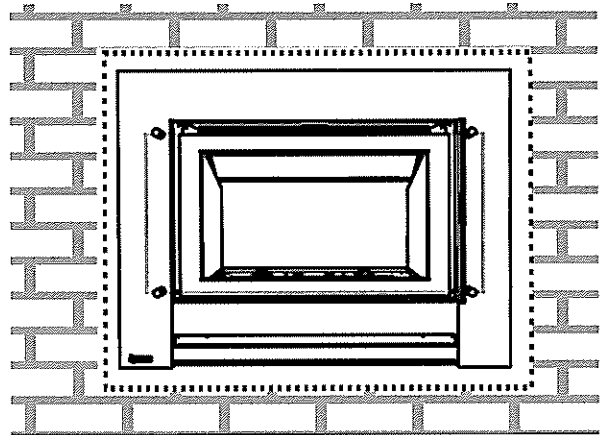
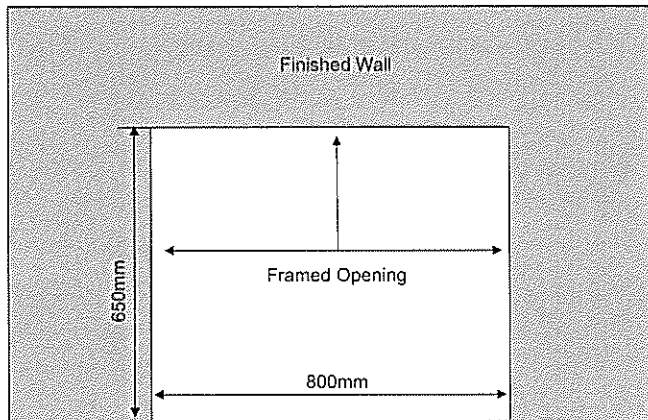
Diagram 4

FRAMING & FINISHING

- 1) Frame in the enclosure for the unit with framing material.

Note: When constructing the framed opening, please ensure there is access to install the gas lines when the unit is installed.

- 2) The unit does not have to be completely enclosed in a chase. You must maintain clearances from the vent to combustible materials: See "Clearances" section. Combustible materials can be laid against the side and back standoffs and the stove base.
- 3) Finishing material may be brought to the side and top of the framing. do not bring combustible material beyond the framed opening. This is both for safety and servicing of the appliance.



Unit shown with Fascia