

ESSE Range Hoods

ES-900B, 990B, 1400B, 1490B

Installation, Operation & Maintenance Instructions

SECTION 1. INTRODUCTION

Your range cooker is a semi-professional unit which gives you the power and flexibility to realise your full potential in the kitchen. Inevitably, during the cooking process, there will be heat, vapours and fumes produced. Your ESSE extractor has been designed to complement the range cooker both in looks and performance in order to create the ideal environment for creative cooking.

SECTION 2. EXTRACTION PERFORMANCE

This hood is designed for ducting out, i.e. duct to an outside wall. To obtain the best possible extraction performance use 150mm diameter ducting or larger. Wherever possible utilise rigid circular pipe or a flat channel equivalent. Avoid using flexible ducting (except for runs of less than 1.5m) as this is not smooth on the interior and can cause air flow restrictions. Semi rigid ducting can be used. Please note ducting kits and ducting components are optional accessories and have to be ordered - they are not supplied with the hood.

The most important influence on the performance of the extractor is the design of the ducting which takes the exhaust air from the extractor to the outside wall louvre. The duct route should be a prime consideration during the initial stages of the kitchen design. Please note the following:

- The extractor is provided with a spigot suitable for connecting 150mm diameter duct. *
- Note: 150mm is the minimum duct diameter consistent with efficient extraction.
- The exhaust duct route length should be kept as short as possible with as few bends as possible.
- The most efficient configuration is to duct straight through an outside wall so try to position the cooker against an outside wall when designing your kitchen layout.
- The hood can be vented either to the top exhaust or the rear exhaust position. Use the position which gives the shortest duct route length and least number of bends. (The blower will need to be rotated for ducting directly through the rear exhaust position.)
- A route with more than two 90° bends will significantly degrade the performance of the extraction system. If possible, avoid having a 90° bend at the extractor exhaust spigot; keep bend radii as large as possible to maintain a smooth airflow without vortices; avoid kinks in flexible ducting; pull flexible ducting taut over straight runs to ensure that the internal surface is as smooth as possible.
- Duct runs in excess of 5 metres are not recommended and will seriously impair efficiency - if you are concerned then please call for advice.

SECTION 3. IMPORTANT INFORMATION

The following minimum headroom is required to accommodate the cooker and hood:

Cooker-to-hood clearance (minimum):	750 mm
Recommended clearance range	800 - 850 mm
Hood height including standard chimney:	550 mm
Minimum ceiling height with standard chimney:	2200mm

The minimum distance between the range hob burners and the bottom of the

Warning

The following is a requirement of UK and European legislation and is in the interests of your safety.

If the room where the cooker hood is to be used contains a fossil fuel burning appliance such as a gas or oil central heating boiler, then its flue must be of the room sealed or balanced flue type. A ducted hood is not suitable for use in a room where any open flue is in use, as dangerous fumes of combustion can be sucked back in to the room. This would include the following open flue appliances – central heating boilers, coal fires, log fires, gas fires, wood burning stoves etc. Therefore, if you have an open flue fossil fuel burning appliance in your kitchen, you are automatically compelled to select a hood that is capable of working in recycling mode.

The exhaust air must not be discharged into a flue which is used for exhausting fumes from appliances supplied with energy other than electricity, e.g. oil or gas-fired central heating boilers, gas-fired water heaters, etc.

extractor is essential to prevent overheating of the extractor and its components.

If you are fitting a splashback then the cooker-to-hood clearance is dictated by the splashback height (unless you choose to run the splashback down behind the cooker). Splashbacks are best fitted before the hood.

Please also note that a 90° bend in the flexible ducting will require 215mm minimum headroom to give a smooth radius with no kinking.

Requirements of the relevant authorities concerning the discharge of exhaust air must be complied with.

Attention:

This appliance requires an earth connection.

Ensure that the supply voltage corresponds to that marked on the rating label inside the extractor.

The extractor must be isolated from the electrical supply before carrying out any cleaning or maintenance operations.

Pay particular attention to fire risk when frying. To minimise the risk of fire, all instructions relating to cleaning the grease filters and removing grease deposits must be adhered to.

Do not flambé under the extractor.

SECTION 4. INSTALLATION

Do not throw away the box and any internal packaging until installation is fully completed - the packaging may be required in the unlikely event that hood must be returned.

4.1 Remove the Grease Filters

Place extractor on its backplate on a horizontal surface.

To remove the grease filters pull/lift the filter release lever away from the hood base. This releases the retaining clips allowing the filter to be carefully lifted away from the hood. Take care not to scratch the hood.

The internal fixing holes, blower assembly and spigot blanking plate can now be accessed through the opening in the baseplate. *

4.2 Blower Exhaust Position

The hood can be vented either to the top exhaust or the rear exhaust position. Each exhaust position has 4 fixing points onto which can be attached either the blower assembly or a blanking plate.

Position the blower assembly in the chosen exhaust position and the blanking plate in the unused position using the original fixings and washers supplied. *

When changing the exhaust position, care should be taken not to excessively pull or twist the cable attached to the blower.

4.3 Duct Installation

Make holes in the wall or ceiling to take the 150mm diameter ducting from the extractor exhaust spigot to the outside.

The exhaust duct route length should be kept as short as possible with as few bends as possible - see Section 2.

An external weather louvre designed for connection to 150mm ducting or larger should be used to terminate ductwork on an external wall - an airbrick must never be used.

4.4 Fixing the Hood to the Wall

If you are fitting a splashback it should usually be fitted before the hood.

Note: The chimney can be removed to ease handling of the hood.

The supporting wall must be of good quality, have an even surface and be sturdy enough to support the extractor.

Fixings must be used which are suitable for the type of wall construction.

Fixing the hood to the wall requires **a minimum of 2 people**.

No wall fixings are provided.

Method

Note: Figures referenced in this section can be found on Page 3.

Mark a horizontal line (A) denoting the hood's bottom edge - if you have already fitted a splashback then the top edge of this will serve. A vertical centre line up to the desired finished chimney height will also help you to accurately position the hood and chimney bracket.

Remove the grease filters to gain access the internal fixing holes.

Mark the positions of the hood fixing hole centres, (see Figure 2 "Example of universal hood fixing detail". Note: This shows a typical hood installation and is not intended to accurately represent the geometry of your hood.

Offer the hood up to the wall in the desired position and mark the wall through the fixing holes in the hood rear. This is a 2 person job.

Mark and prepare a hole(s) suitable to accommodate 150mm diameter ducting (160mm min). If using the rear exhaust spigot position then accuracy is critical - see Figure 1.

Secure the hood, using fixings suitable for the wall construction, in the previously marked positions. **This is a 2 person job.**

Tip: for rear exit you may have to connect the ducting prior to fixing the hood to the wall - rigid ducting is strongly recommended.

If you need to disconnect the chimney to access the ducting spigot and electrical supply cord then this is easily separated from the hood by removing the screws securing it to the hood. The screws are access through the filter opening.

Note: If you have purchased a bespoke telescopic chimney then this will be arranged as shown in Figure 2—the standard chimney is fixed in height.

Connect the ducting and electrical supply cord as described in section 4.5 and 4.6.

Refit the chimney if previously removed.

4.5 Connecting the Ducting

Connect ducting to extractor exhaust spigot. You may find this easier with the chimney removed. The chimney is attached using M4 machine screws which can be accessed through the filter opening(s). For rear exit exhaust positions the duct should be attached prior to fixing the extractor to the wall.

When the extractor is in position, check that the duct has not been flattened or kinked along its route.

Connect the ducting to the wall louvre or alternative outside termination.

Secure the louvre to the outside wall. Ensure that any air fins are directed downwards.

Refit the grease filters.

4.6 Electrical Installation

**ELECTRICAL HAZARD
DISCONNECT ELECTRICAL SUPPLY
BEFORE PROCEEDING FURTHER**

The extractor is a stationary appliance designed to be connected by fixed wiring to the electrical supply. A competent electrical technician must perform the electrical installation.

The extractor must be fed from a 220—240Vac single phase electrical supply using a switched spur fitted with a 3A fuse. The spur should be located such that the supply can be disconnected from the extractor using the switch after installation (adjacent to the extractor/cooker is best). The means of disconnecting from the supply must have a minimum contact separation of 3mm in all poles. Alternatively a means of disconnection in the fixed wiring according to the relevant wiring regulations must be fitted.

A supply cord for connecting the extractor to the spur is included.

The mains supply is connected to the free end of this cord as follows:







Core	Live	Neutral	Protective Earth
Core Colour	Brown	Blue	Green/Yellow

SECTION 5. OPERATING INSTRUCTIONS

Switch power on at the fused spur.

The extractor has 6 push-buttons which illuminate when selected. Their functions are summarised below:

Pushbutton Functions

-  Motor RUN ON TIMER (OFF after 10 minutes to clear fumes)
-  Motor - TIMED INTENSIVE MODE (Reverts automatically to speed 3 after 5 mins)
-  Motor ON - SPEED 3 (Maximum Speed for Continuous Use)
-  Motor ON - SPEED 2
-  Motor ON - SPEED 1
-  Lights ON/OFF

The extractor controller will automatically switch off the appliance if there has been no operator action for 4 hours.

After 30 hours accumulated running GREASE FILTER CLEANING will be signalled by all 6 indicators flashing. Reset by pressing Push-button FAN OFF (delay).

SECTION 6. MAINTENANCE

Regular maintenance is essential to ensure good performance and long-life.

To maintain the immaculate appearance of the extractor, and to minimise fire risk, ensure that grease deposits on the extractor surfaces are kept to a minimum by regular cleaning.

To clean the stainless steel surfaces of the extractor, use a soft cloth and a suitable cleaning agent, such as a specially produced stainless steel cleaner or washing up detergent and warm water.

Painted surfaces should be cleaned using a soft cloth, detergent and warm water.

- Do not use abrasive cleaning materials or products on any hood surfaces.
- Do not use bleach based cleaning materials or products on any hood surfaces.
- Switch off the electrical supply to the hood before cleaning internal hood surfaces.

Clean the grease filters in a dishwasher or by hand-washing in hot water and detergent. Wash the filters at least every 2 months - sooner if the extractor is used extensively and filters become grease laden.

Whilst you can expect years of service from mesh grease filters, they are considered a consumable item and may deteriorate over time and need replacement, particularly when cleaned in a dishwasher. For dishwasher users adhering to a 2 monthly cleaning interval we recommend grease filter replacement every 5 years to maintain optimum performance, even if they show no visible signs of deterioration. For all users, filters should be replaced whenever they exhibit signs of physical wear.

To remove the grease filters pull the filter release lever away from the hood base, releasing the sprung latch, allowing the filter to be lifted away from the hood. Care should be taken not to scratch the hood.

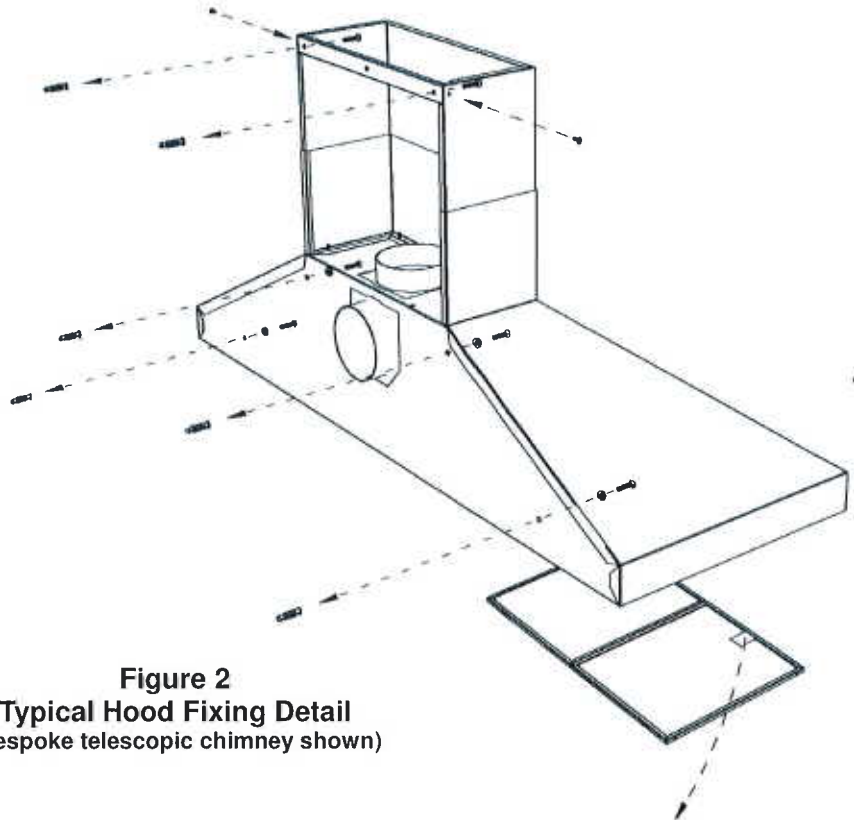
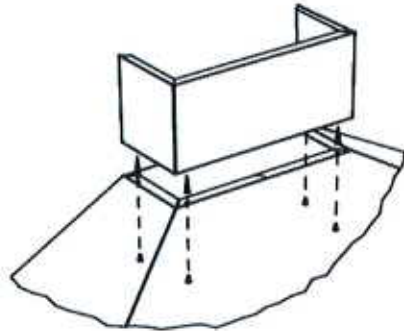
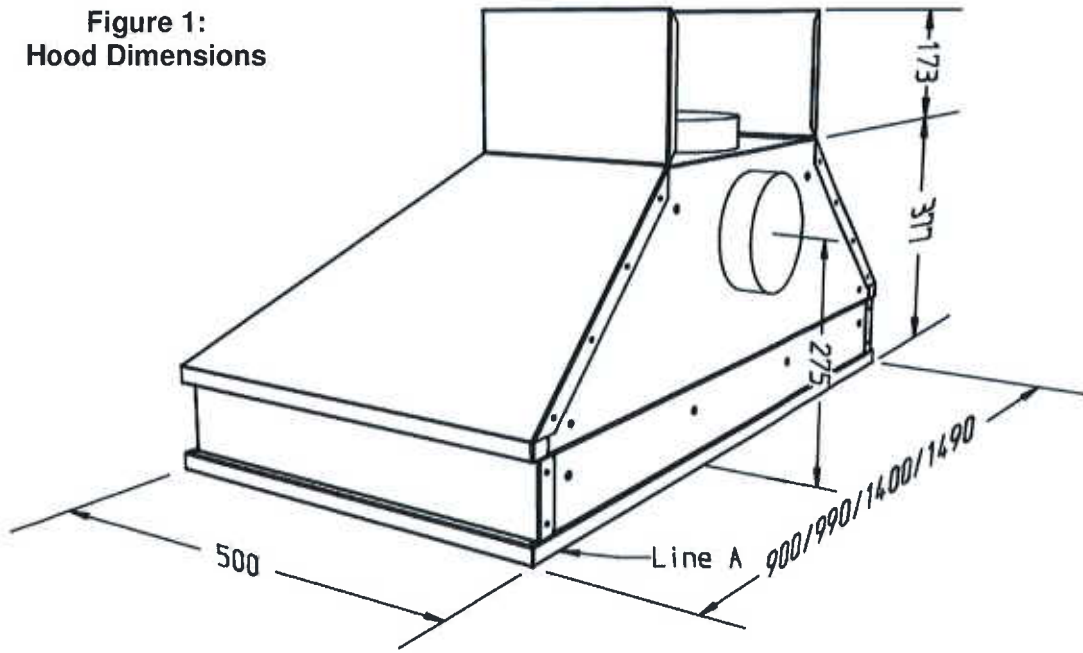
The LED lamp units are not designed for end user replacement. In the event of failure please call for assistance.

SECTION 7. SPECIFICATIONS

Nominal airflow in free air	800 m ³ /hr
Supply voltage:	220-240V~ 50Hz
LED lamp voltage:	12V
Blower power input:	250W
LED lamp power:	2 x 2.6 W (900 / 990 models) 3 x 2.6 W (1400 / 1490 models)
Fuse size for electrical supply:	3A Single Internal Fan
Blower spigot diameter:	150mm

For detailed specification and energy efficiency information please refer to the product fiche for your hood.

**Figure 1:
Hood Dimensions**



**Figure 2
Typical Hood Fixing Detail
(Bespoke telescopic chimney shown)**

ESSE

Ouzledale Foundry Co. Limited, Long Ing, Barnoldswick, Lancashire, BB18 6BN
www.esse.com