



REDUCING THE CLEARANCE TO COMBUSTIBLE MATERIALS

IN COMPLIANCE WITH AUSTRALIAN STANDARDS

There are standards that govern how far your fireplace can be from 'combustible materials' like timber walls. These standards are designed to protect your safety.

The clearances to or distances from combustible materials are determined by testing the fireplaces under the Australian Standards AS/NZS 2918 (fig 1). Clearances vary between fireplaces. The clearance for your specific fireplace will be provided to you at the time of purchase.

You can reduce these clearances in compliance with Australian Standard AS/NZS 2918 with the use of a heat shield made from non-combustible material, buffered by an air gap, between the combustible material and the fireplace (fig 2).

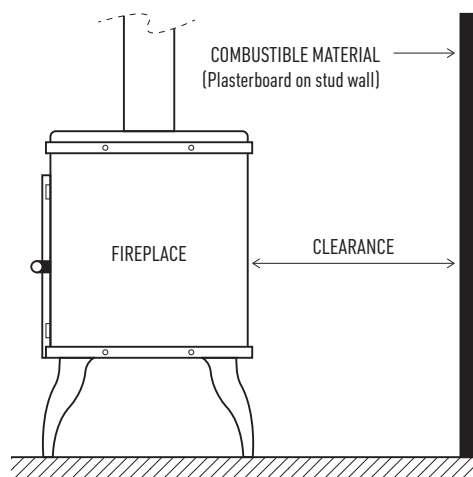


Fig 1

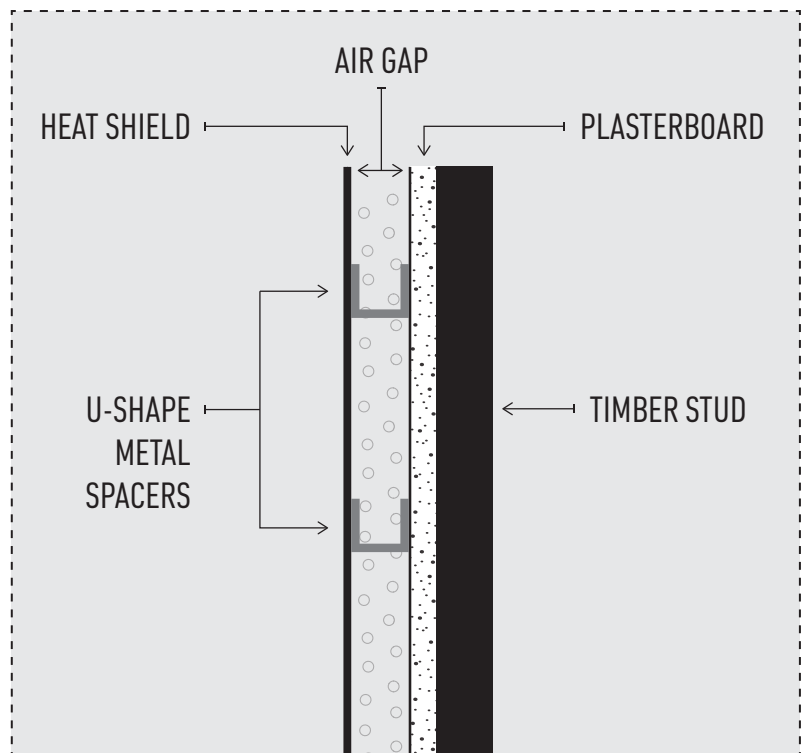


Fig 2

Calculating the new clearance

A heat shield and air gap will give you a coefficient factor to apply to existing clearances. If the air gap is 12mm + heat shield then the factor is 0.4, meaning your new clearance will be the existing clearance (as supplied to you at purchase) multiplied by 0.4.

If the air gap is larger still, at 25mm + heat shield, then the factor is 0.3, meaning your new clearance will be the existing clearance (as supplied to you at purchase) multiplied by 0.3.

Note that the new clearance is measured from the combustible surface to the fireplace and not the outside of the heat shield to the fireplace.

Example

1

The Fireplace purchased has 1000mm clearance to combustible material, as determined under AS/NZ 2918 (fig 3).

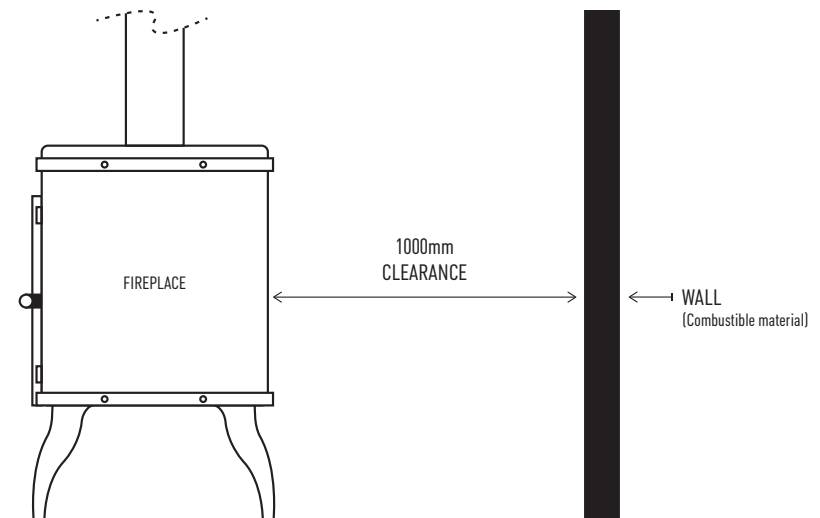


Fig 3

2

In order to reduce the clearance safely, a heat shield (cement sheet) is installed in front of the wall, leaving a 25mm air gap between the cement sheet and the plasterboard using steel u-shape spacers (fig 4).

The clearance is now 0.3 of the original, or 300 millimetres.

$$1000 \times 0.3 = 300$$

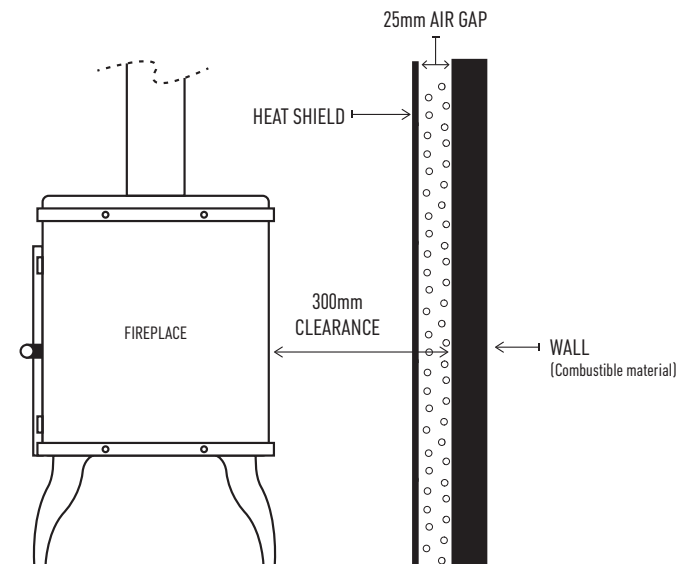


Fig 4

MATERIALS THAT CAN BE USED A HEAT SHIELD: Cement sheet / Steel / Fireproof plasterboard.