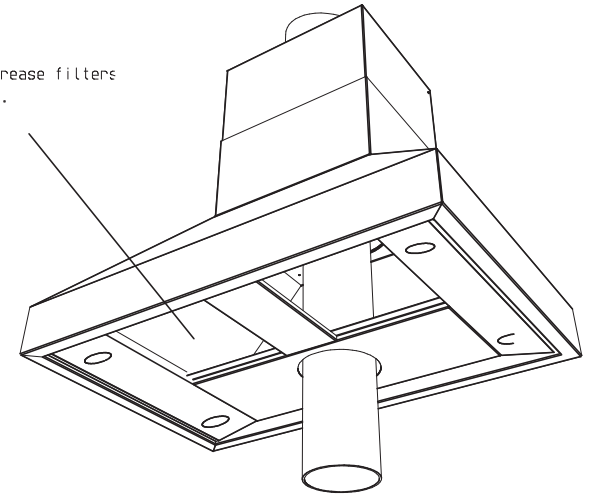


2 x Mesh grease filters  
in opening.



#### Installation Notes

- Install splash back and fix to wall
- Install return on Splash back
- Position stove / companion
- Plumb bob flue through ceiling/roof
- First length of flue to be sealed into the flue box using Castworks Sealant
- Install range hood
- Power supply required for range hood
- Install rest of flue
- The default end of triple flue to drop down into range hood as per drawing
- Install flashing

#### Hot Water Notes

- Use hemp and sealant to connect water pipes to stove
- Hot water position can be from side or rear

#### Companion notes

- Level companion to cooker
- Connect power / gas as required
- Use linking pieces to join to cooker

#### Comission Notes

- Remove all plastic wraps
- Remove plastic from hinge on hot plate
- Remove all utensils from inside ovens before lighting

#### Hearth Notes

- Hearth to extend 300mm in front of stove
- Hearth to be as wide as stove

**PIVOT** STOVE & HEATING  
HEATING SPECIALIST SINCE 1876  
PTY LTD

**1300 4 PIVOT / 1300 4 74868**  
sales@pivotstove.com.au