

Dimensions

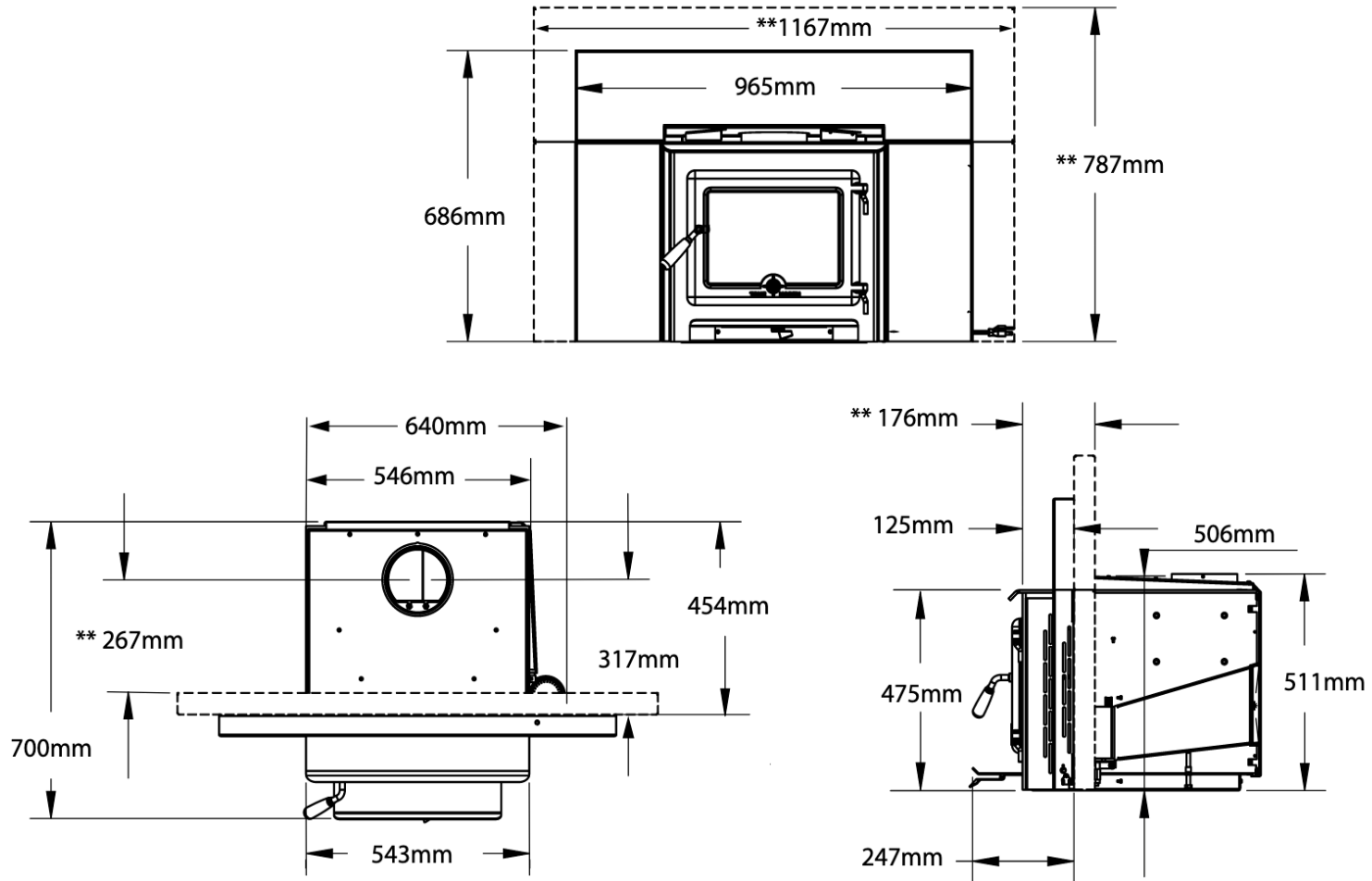


Figure 2. TN20.INSB 3 Metric Dims.

MINIMUM FIREPLACE OPENING AND HEARTH
DIMENSIONS