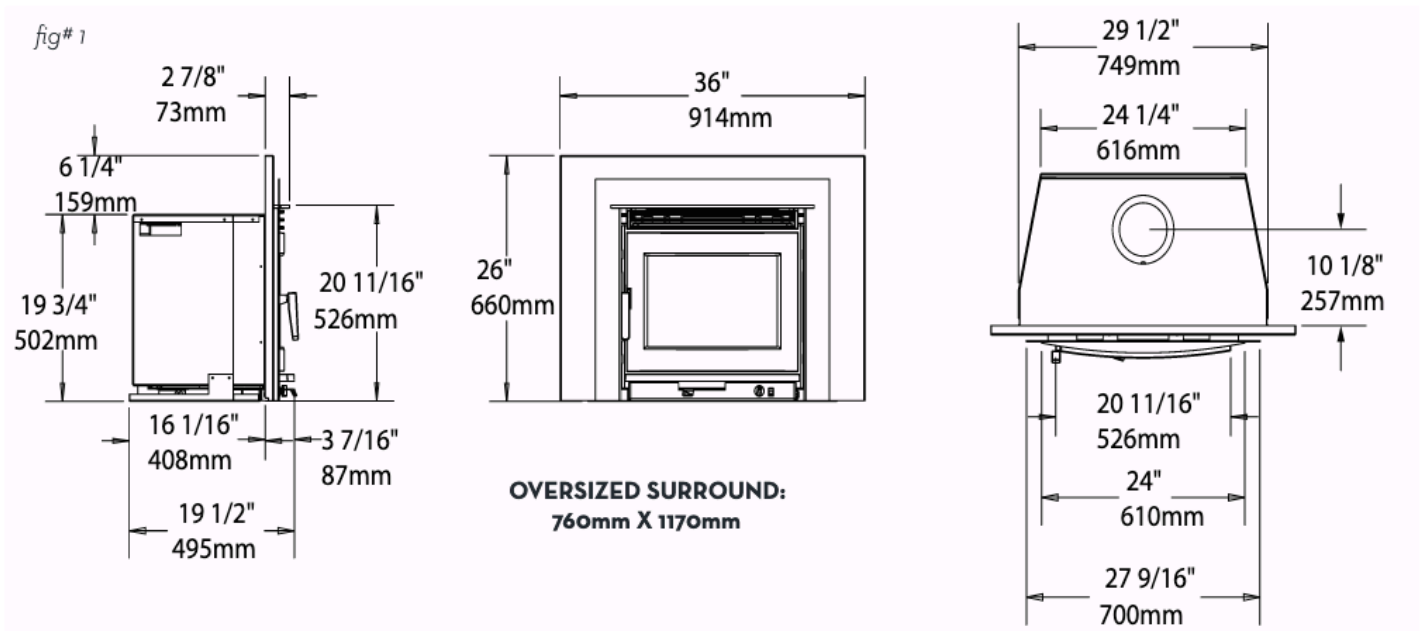
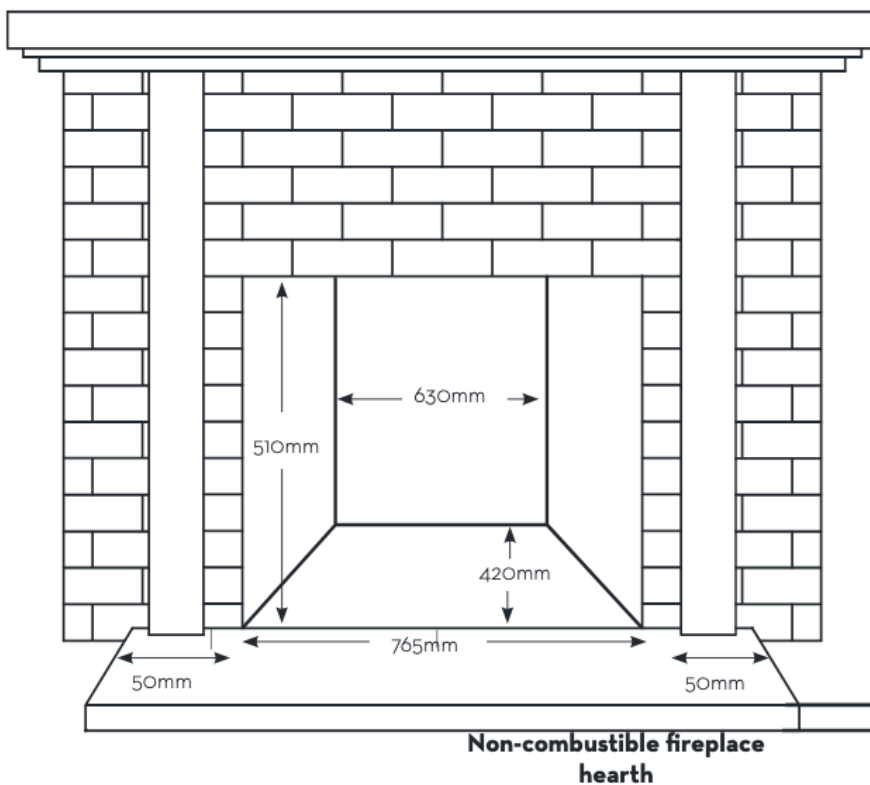


Dimensions



MINIMUM FIREPLACE OPENING AND HEARTH DIMENSIONS

fig#2



NON COMBUSTIBLE HEARTH
MUST EXTEND OUT 500MM
FROM THE LOADING DOOR
OPENING.