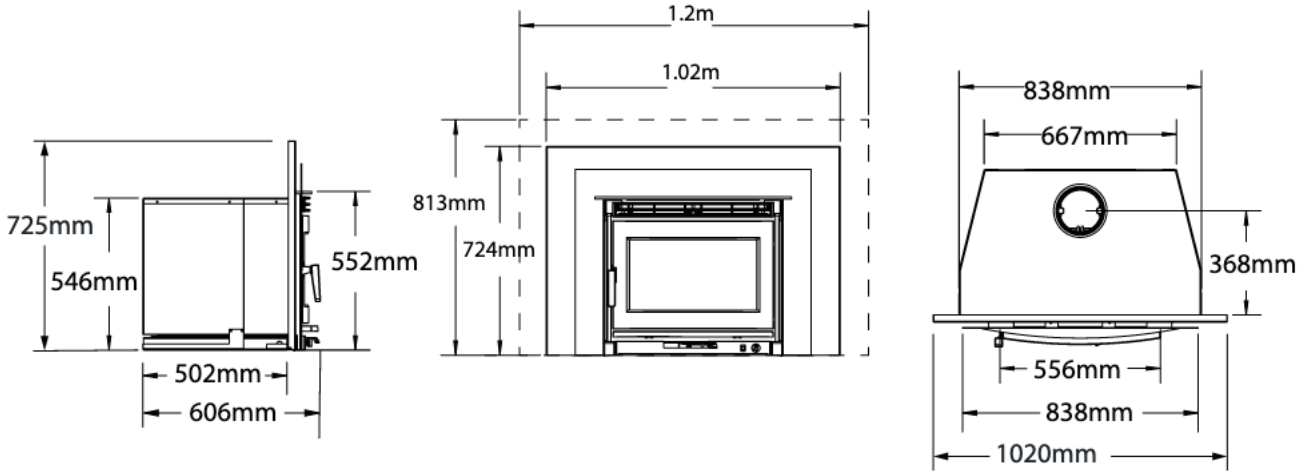


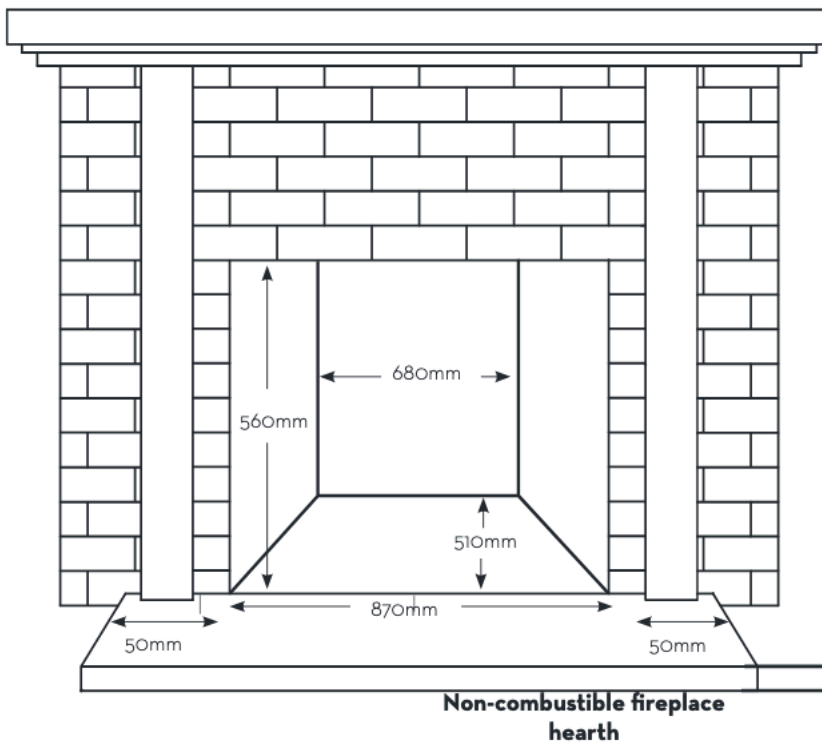
# Dimensions

fig# 1



MINIMUM FIREPLACE  
OPENING AND HEARTH  
DIMENSIONS

fig#2



NON COMBUSTIBLE HEARTH  
MUST EXTEND OUT 500MM  
FROM THE LOADING DOOR  
OPENING.