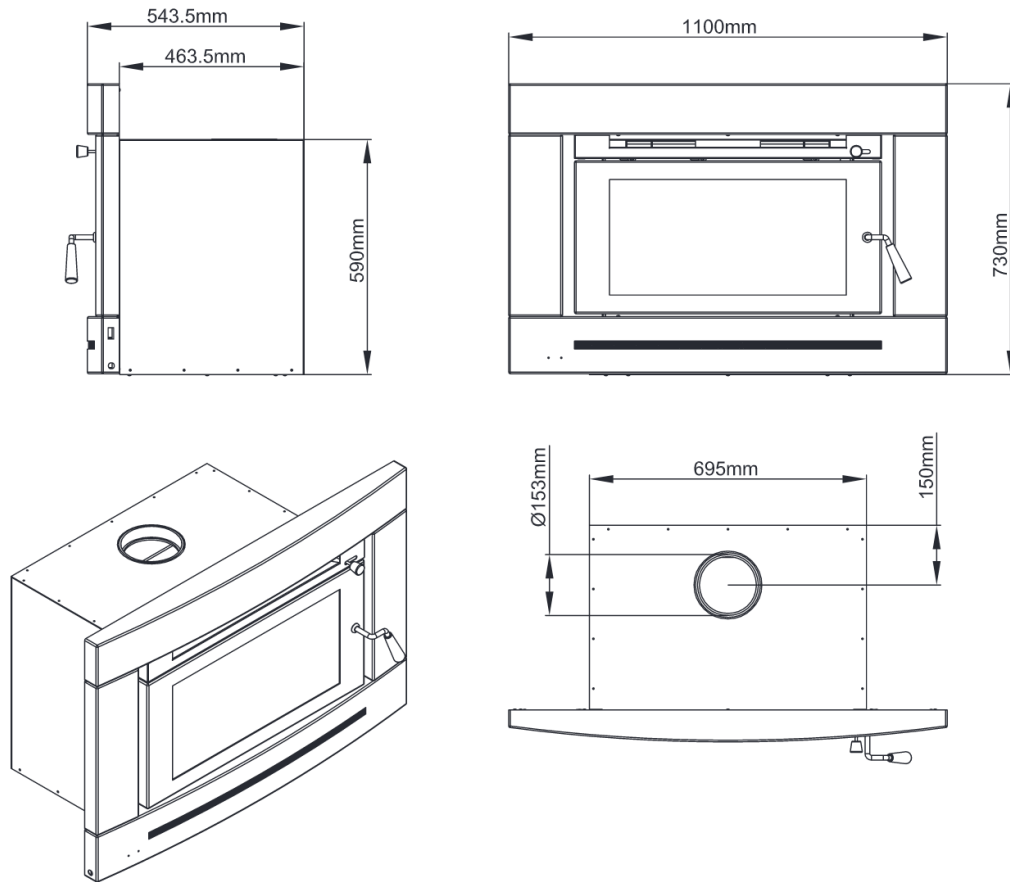


Regency Bellerive



Pivot Stove & Heating Co
pivotstove.com.au

Optional zero clearance

installation

ZERO CLEARANCE DIMENSIONS TO COMBUSTIBLE MATERIALS

Important: Non-combustible sheeting of a minimum thickness of 9mm must be used on the front face of the enclosure.

