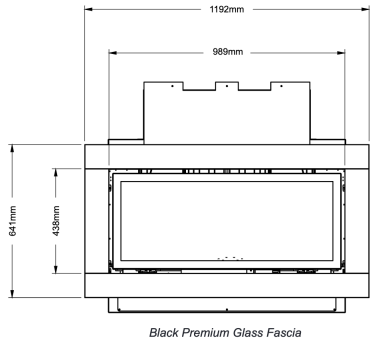
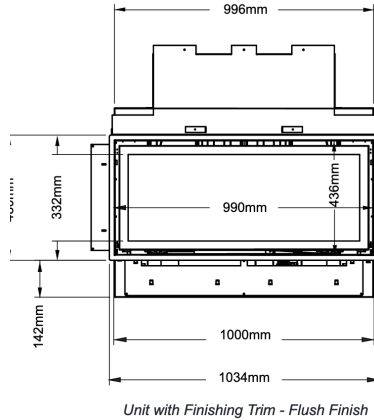


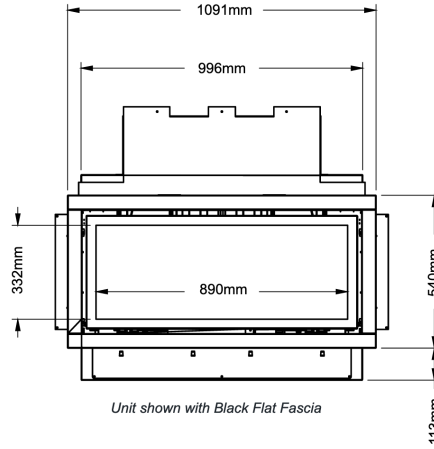
# gf950 framing



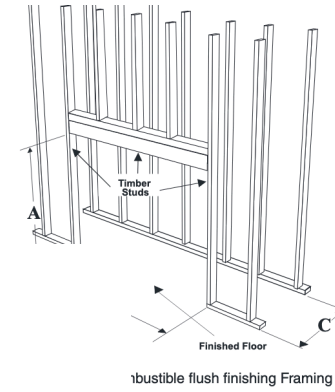
Black Premium Glass Fascia



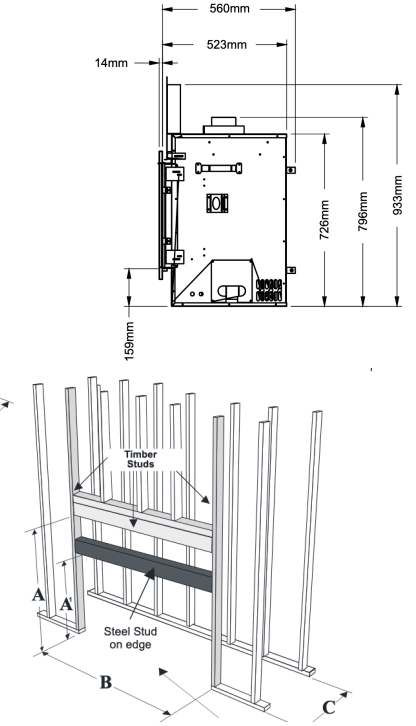
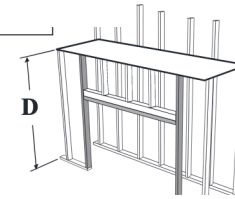
Unit with Finishing Trim - Flush Finish



Unit shown with Black Flat Fascia



combustible flush finishing Framing



Framing Dimensions	Description	GF950
A	Framing Height	940mm combustible finish
A <sup>1</sup>	Framing Height -Steel Stud	756mm non combustible steel stud
B	Framing Width	1127mm
C	Framing Depth	552mm
D	Minimum Height to Combustibles	1156mm