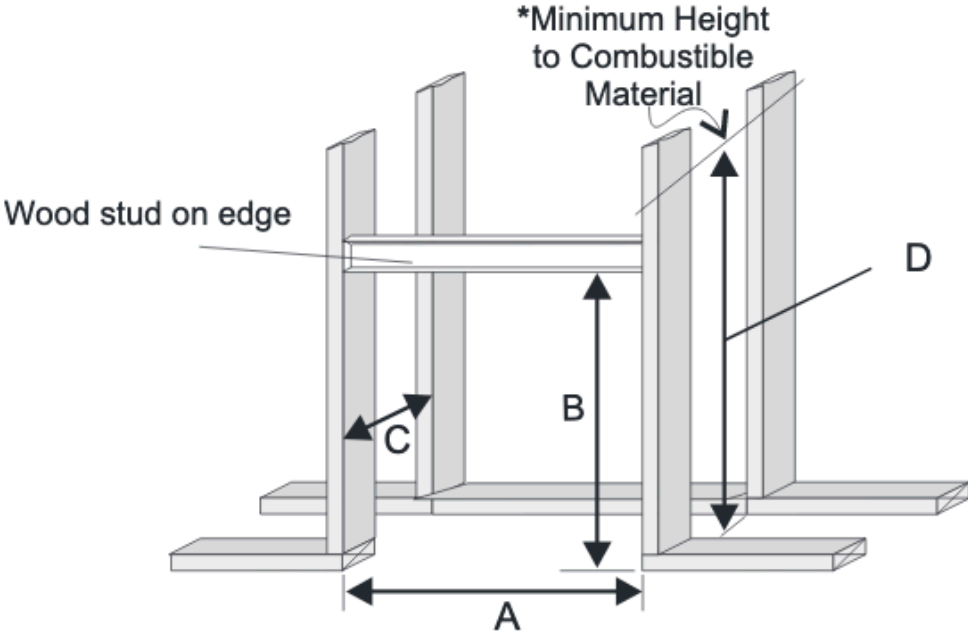
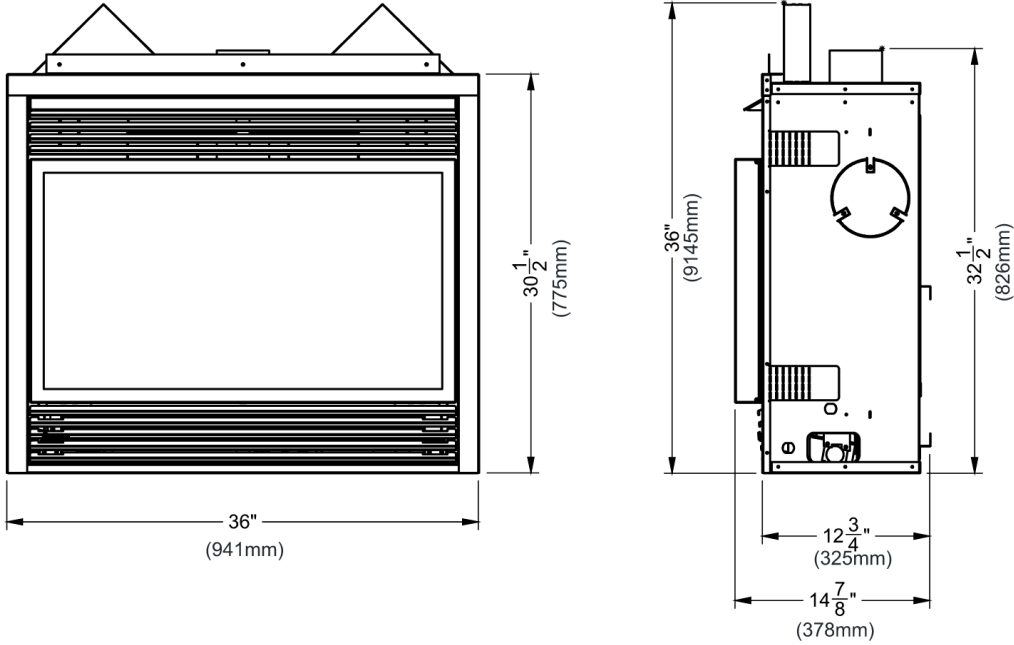


# Regency pg36 framing

dimensions

Unit Dimensions



Standard Framing Dimensions			
A	B	C	D
921mm	921mm	324mm	1169mm*
Framing Dimensions with Premium Flush Front Option			
A	B	C	D
944mm	946mm	432mm	1182mm*
* 'D' is Minimum height to combustible materials including the Minimum 51mm Top clearance to the Horizontal Flue, see flue clearances in section "Clearances."			