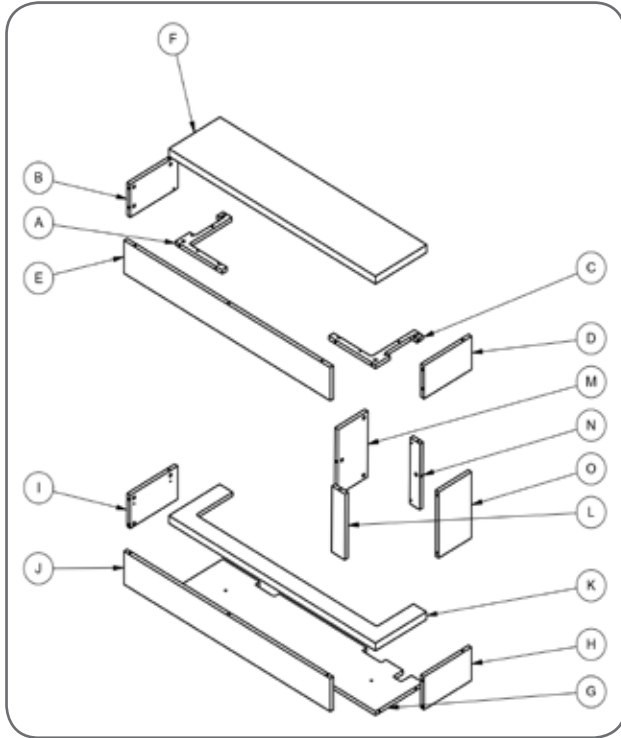


SKOPE DISPLAY SURROUND ASSEMBLY (E110)

Kit Parts List



- (A) Top Cabinet Bottom Left (Black) - 946-475
- (B) Top Cabinet Left (White) - 946-477
- (C) Top Cabinet Bottom Right (Black) - 946-474
- (D) Top Cabinet Right (White) - 946-476
- (E) Top Cabinet Front (White) - 946-478
- (F) Top Cabinet Top (White) - 946-479
- (G) Bottom Cabinet Middle (Unfinished) - 946-473
- (H) Bottom Cabinet Right (White) - 946-470
- (I) Bottom Cabinet Left (White) - 946-471
- (J) Bottom Cabinet Front (White) - 946-472
- (K) Bottom Cabinet Top (Black) - 946-469
- (L) Middle Stand Front (Black) - 946-480
- (M) Middle Stand Left (Black) - 946-481
- (N) Middle stand Back (Unfinished) - 946-483
- (O) Middle stand Right (Black) - 946-482

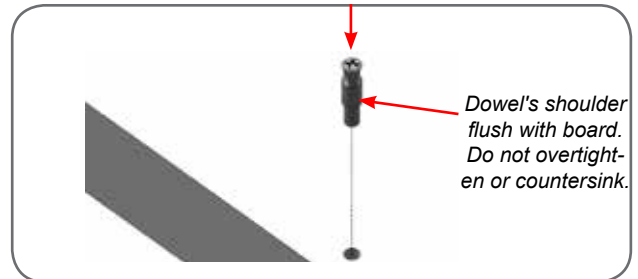
Hardware Included

- 42 Dowel (5 spares)
- 35 Cam Fitting
- 4 Screw #10-24 x 1/2
- 2 Screw #10-24 x 1-1/2
- 1 Offset Screwdriver

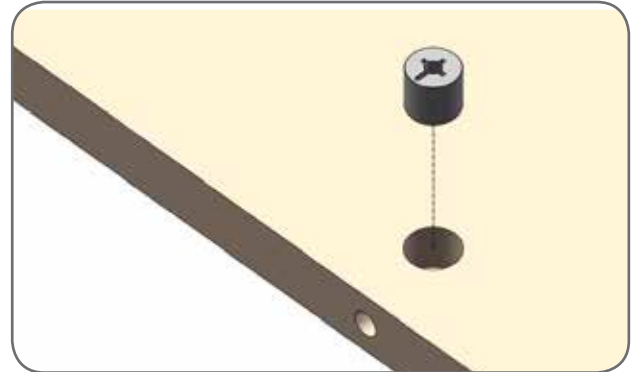
PRE-ASSEMBLY INSTRUCTIONS

1. Ensure the unit is mounted to the wall with the bracket provided.
2. Remove all protective film.
3. Screw dowels in using a Phillips head screwdriver.

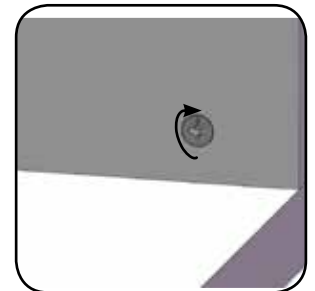
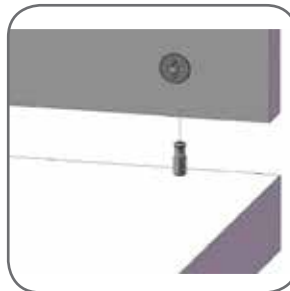
Note: Do not over-tighten or counter sink. The dowel's shoulder should be flush with the board as noted below.



4. Push cam fittings in with arrow pointing towards edge.

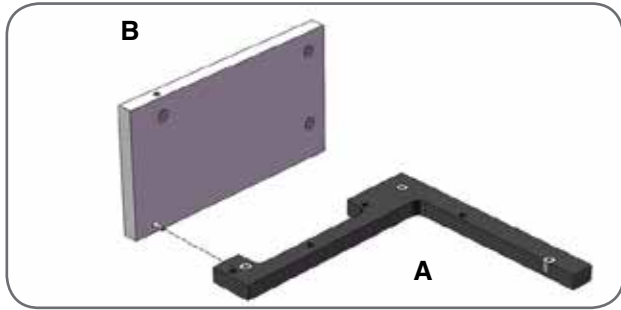


5. Rotate cam fittings 180 degrees clockwise to lock parts together.

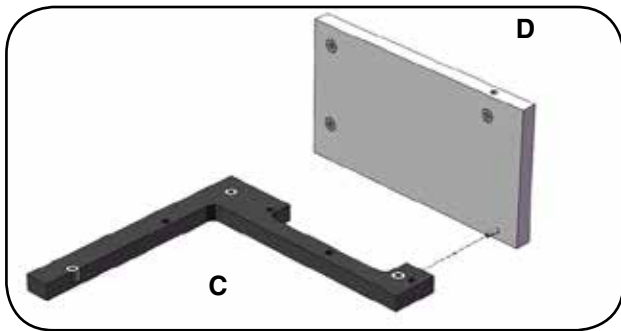


TOP CABINET ASSEMBLY

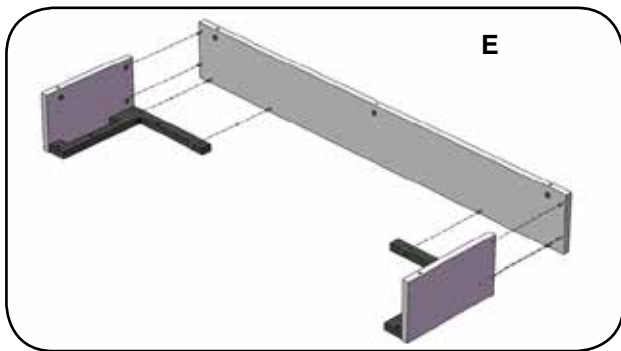
6.



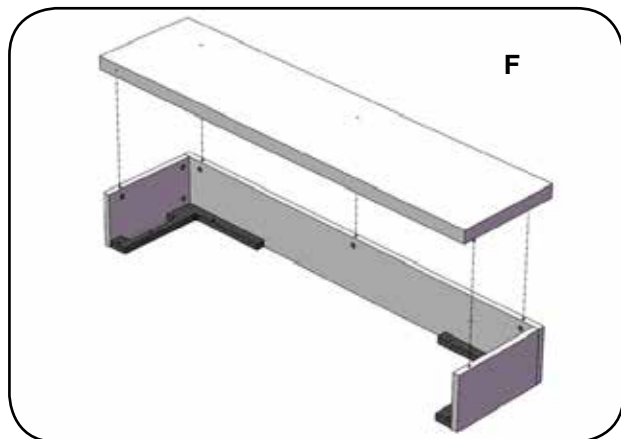
7.



8.

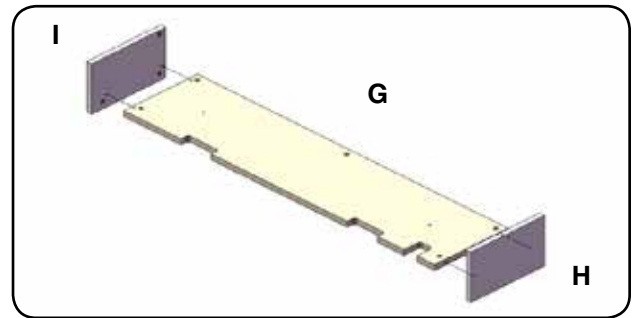


9.

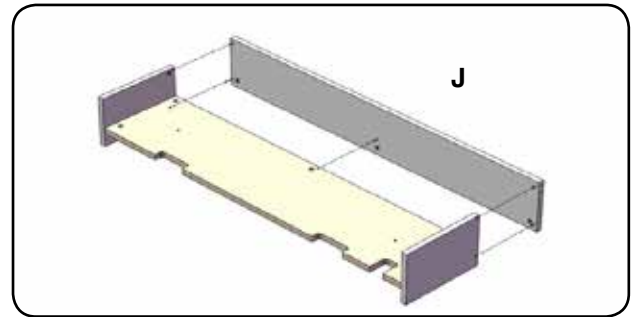


BOTTOM CABINET ASSEMBLY

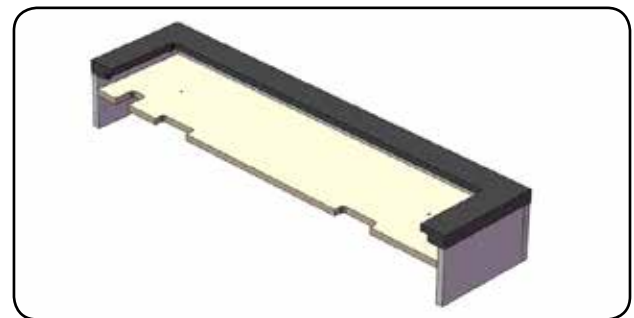
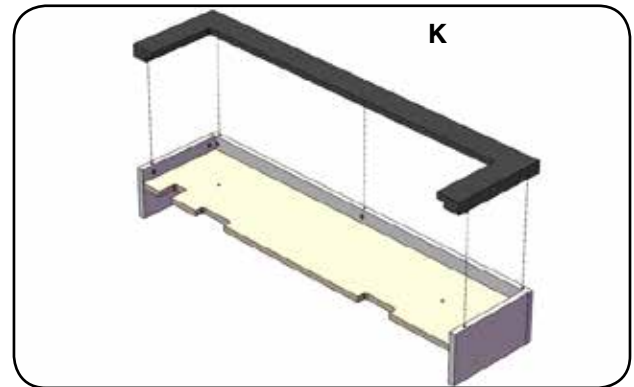
10.



11.



12.

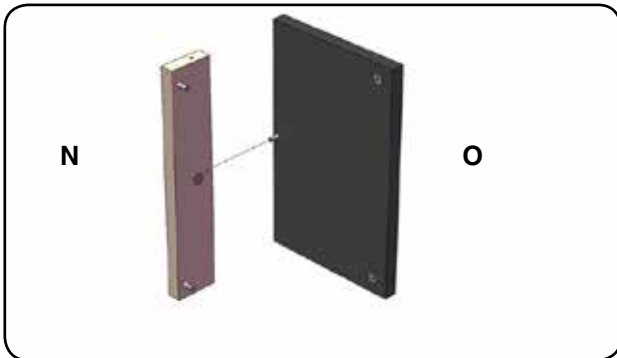


MIDDLE STAND ASSEMBLY

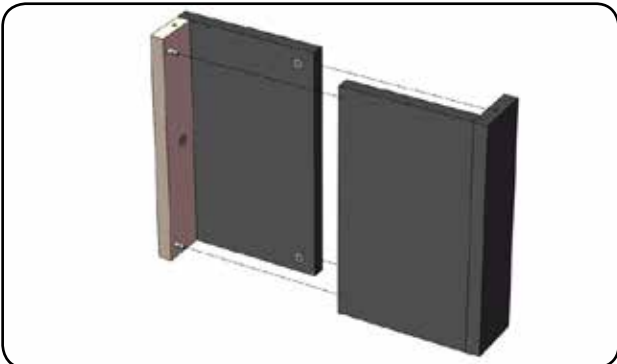
13.



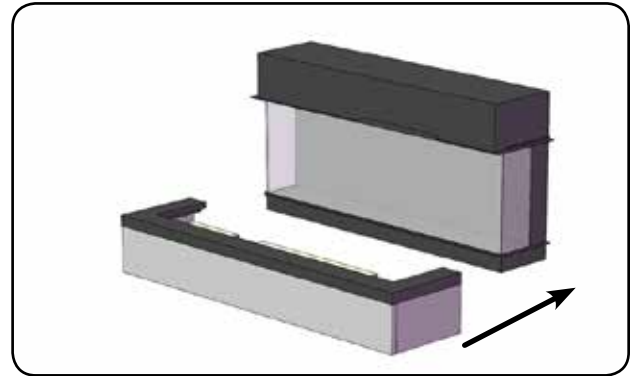
14.



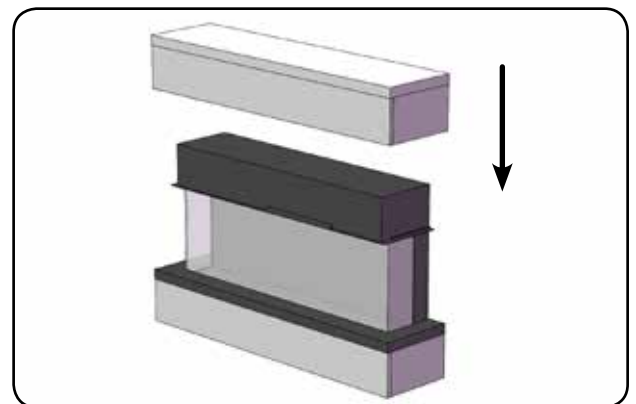
15. Use the offset screwdriver provided to lock the cam fittings together.



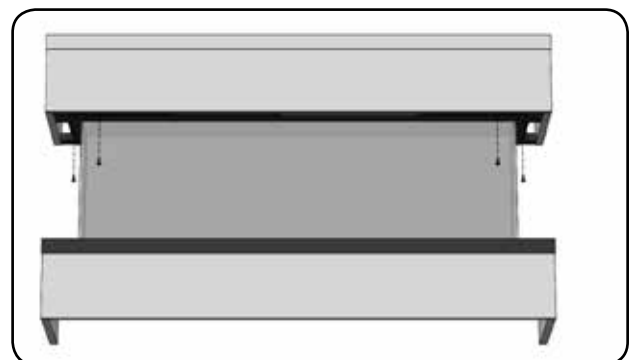
3-SIDED INSTALL



16. Secure bottom cabinet with 2 screws.

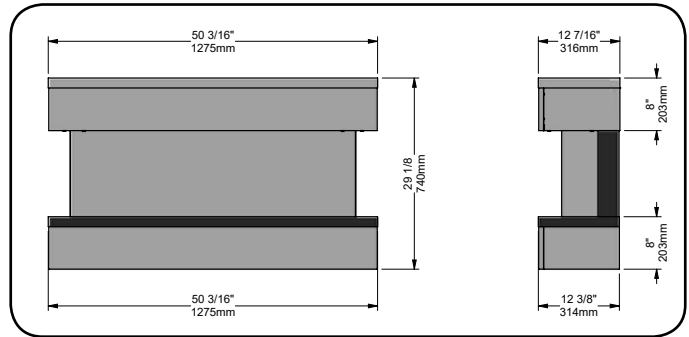
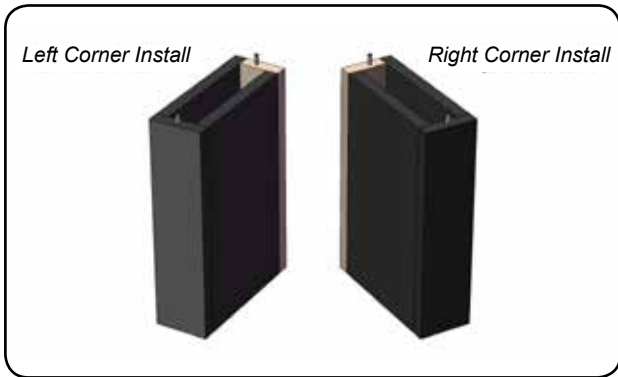


17. Secure top cabinet with 4 screws.

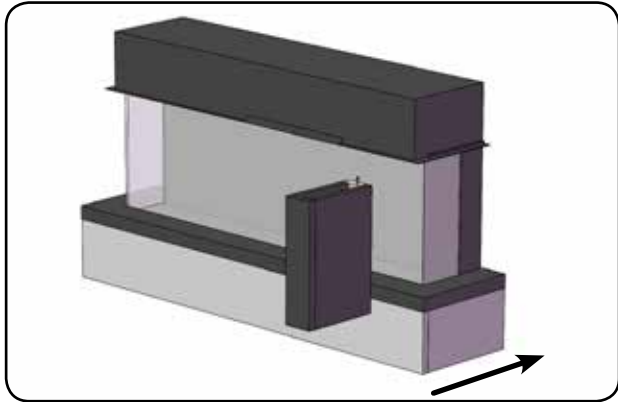


RIGHT CORNER INSTALL

18. Screw 2 dowels in on the appropriate face.



Right corner shown. Follow same steps for left corner.



18. Secure top cabinet with 3 screws.

