



# YUNCA

PART OF THE FAMILY





# Why choose Yunca?

Founded in 1977 on the principal of **quality first**, Yunca is a 100% New Zealand family-owned business. A dedication to quality and customers means that they still carry a full range of parts for models manufactured over 40 years ago; heaters which are still going strong today.

The new range of heaters are both modern and stylish, with the same commitment to being **more than just a heater**.

After manufacturing their first heater in 1977 for Terry and Vicky Young's own 100-year-old home, Yunca went on to establish itself through the 1980s and 1990s as a leading manufacturer of wood heaters of unsurpassed **quality, heat** and **efficiency**.

Now a second generation family business, Karyna Young is the Managing Director. With her father, Terry, running the manufacturing and engineering side of the business, Karyna has been responsible for introducing a company-wide renewed focus on product design and company service provision.

Not only have Yunca heaters been keeping New Zealanders warm for over 40 years their heaters are some of the cleanest in the world, in keeping with sustaining New Zealand and Australia's environments.

Today, Yunca manufactures their heaters from their three factories in India, Dunedin and Invercargill, where the head office is based. The addition of the India factory makes them competitive in the international marketplace and allows Yunca to provide a well priced unit without compromising quality.

Yunca Heating still remains loyal to the commitment first made in 1977 . . . "**quality first**".

# Wood Burners

Yunca heaters have gained a reputation for uncompromising build quality and heating ability. Customers say they are more than just heaters; they become “**part of the family**”.

## FREESTANDING

**MONTE** | 200+m<sup>2</sup>

The MONTE Wood Fire range has a fresh, modern design combined with a convenient cook-top. There are 3 base options in the MONTE range, Base, Euro or on Legs



*Monte Base*



*Monte Euro*



*Monte Leg*

## INBUILT

**XANDER** | 220+m<sup>2</sup>

The XANDER Insert Wood Burner suits both modern new builds and retrofitting into existing homes. Suitable for Masonry installations, or as a Built-in “ZC” unit when installed with the optional “Zero Clearance Kit”.



*Xander*



SUPER CLEAN BURN  
1.5g/kg



20kw  
MAX



10 HR  
burn time

# Monte

## Freestanding Wood Heater

MONTE is a stylish modern fire incorporating a cook-top, which adds functionality to any home. The large glass area maximises the ambience only a solid-fuel fire can give, and the large door allows ease of refueling.

Owners of contemporary to traditional homes appreciate the MONTE's sleek good looks, genuine practicality and Yunca reliability. It can be used as both a primary and secondary heating source depending on climate, room size and insulation. It is also great for keeping dinner warm on cold winter nights.

### Why is the Monte so good?

- 10+ hour overnight burn time
- Solid 8mm plate-steel cook-top, quality engineered
- 40mm refractory firebricks for high efficiency and slow overnight heat release
- 10 year fire box warranty
- Thick 5mm constructed plate steel firebox
- Available as Base, Euro and Leg models
- Large door for easy refueling
- Secondary air wash system for cleaner burning and beautiful clean glass
- Large glass area for maximum ambience and flame enjoyment
- HTP Black (High Temp Paint) finish
- Convenient wood storage box (Euro model)
- Clean air approved for all Australian states
- Estimated 20kW of renewable, clean heat output
- Optional Hot Water Jacket available

### Pick your look...



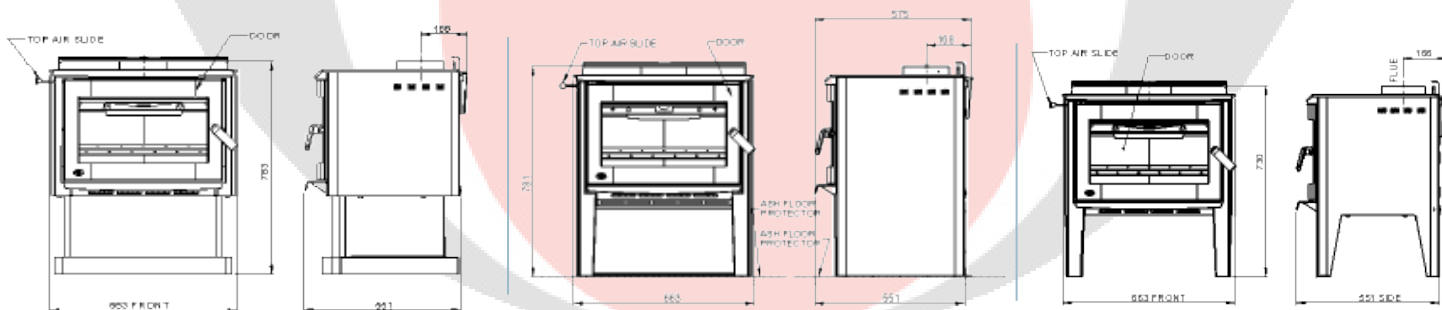
Monte Base



Monte Euro



Monte Leg



# Xander

## Inbuilt Wood Heater

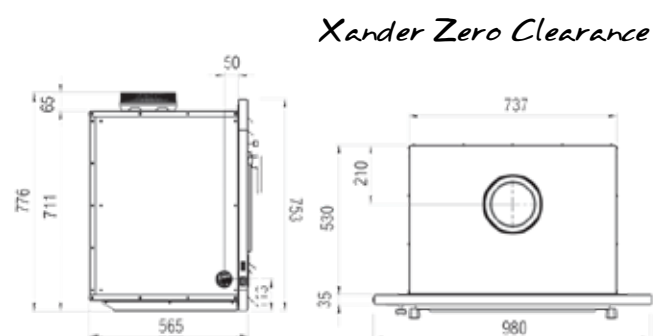
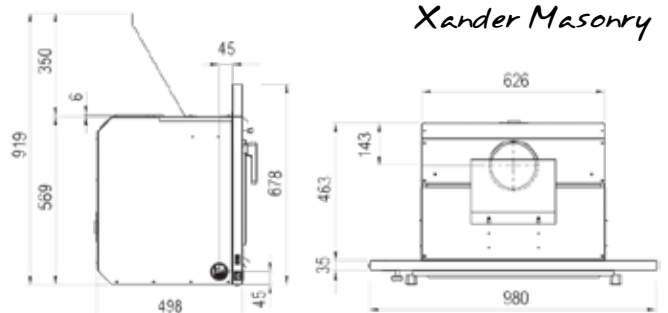
XANDER'S iconic wide drop-down door fits larger logs with ease and its stylish aesthetic will suit both new and existing homes. The large window allows more radiant heat to circulate the room while enhancing the look and ambience of your room.

People wanting a good looking In-Built fire for a new timber wall construction, or those wanting to retrofit into a masonry installation (Insert) will both benefit from the XANDER.



### Why is the Xander so good?

- Unique drop down door
- 10+ overnight burn time
- Thermostatically controlled 2-speed fan to aid in heat circulation, strategically set to 40 degrees
- Estimated 18kW max. heat output, Xander has one of the largest heat outputs in its range
- Wide opening, drop-down door for larger logs and ease of use
- Long lasting, high performing, 5mm plate constructed steel fire box, with cast iron/steel inserts
- Optional Zero Clearance Kit for timber (Built-in) installations
- Heat resistant handles and control knobs, designed to be cool to the touch for your safety and convenience
- 10 year fire box warranty
- Secondary air wash system for cleaner burning
- Super clean air approved double combustion wood burner
- HTP Black (High Temp Paint) finish



# The details

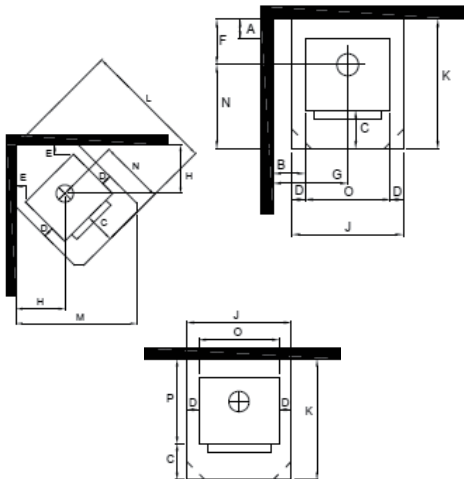
## MONTE

HEAT OUTPUT – Estimated 20kW maximum.

EMISSION AND EFFICIENCY – 1.5g/kg emission and efficiencies of 70% or greater AS/NZS 4012:2014 and AS/NZS 4013:2014.

FLOOR PROTECTOR CLEARANCE – Ash hearth: one layer of continuous non-combustible material. Front 300 mm, side 125mm.

FIRE – 8mm plate-steel cook-top. 5mm plate-steel firebox fully lined with 40mm refractory firebricks.



### MINIMUM FIRE TO COMBUSTIBLE WALL CLEARANCES

Rear clearance can be reduced to 100mm when installed with Pivot Insulated Room Sealed Flue

MODEL	A	B	E	F	G	H
*MONTE EURO	200	350	200	366	682	520
*MONTE LEG	200	435	245	366	767	565
*MONTE BASE	200	450	280	366	782	600

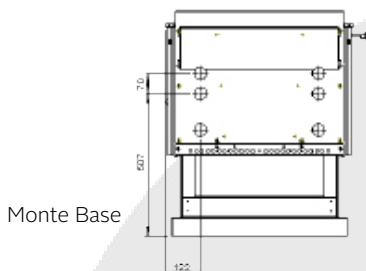
\*TESTED TO AS/NZS 2918:2001

### MINIMUM FLOOR PROTECTION MEASUREMENTS

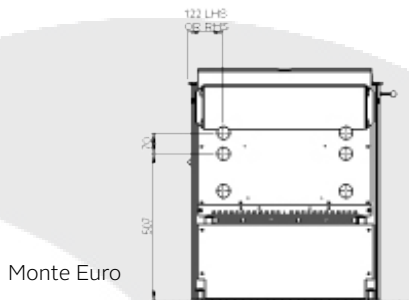
(measurements in millimetres)

MODEL	C	D	J	K	L	M	N	O	P
MONTE EURO	300	125	913	999	1368	1278	633	663	699
MONTE LEG	300	125	913	999	1431	1253	633	663	699
MONTE BASE	300	125	913	999	1481	1288	633	663	699

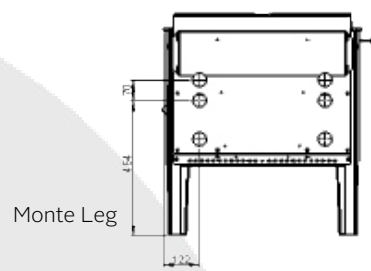
### OPTIONAL HOT WATER CONNECTION



Monte Base



Monte Euro



Monte Leg

## XANDER

HEAT OUTPUT – Estimated 18kW maximum.

EMISSION AND EFFICIENCY – 0.8g/kg emission and efficiencies of 66% or greater AS/NZS 4012:2014 and AS/NZS 4013:2014.

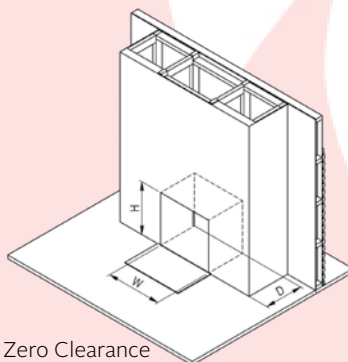
FLOOR PROTECTOR CLEARANCE – 500mm\* extension into room for Zero Clearance installation. 350mm\* extension into room for Masonry installation.

\* Can be reduced by elevating the unit (refer to installation instructions for details).

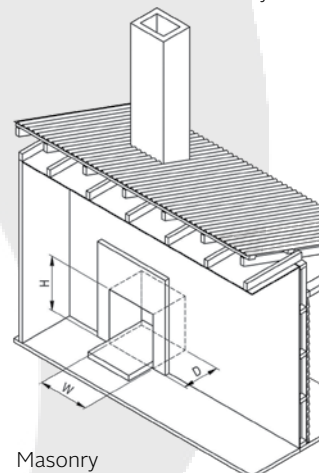
### CAVITY DIMENSIONS

MODEL	Minimum dimensions (mm)		
	Width (W)	Height (H)	Depth (D)
Insert Masonry	680	600	530
Insert Timber	790	731	555

Min timber cavity framing height 1315mm



Zero Clearance



Masonry

## WARRANTY

Yunca fires are proudly both made in the deep south of New Zealand and South India and have been subject to a comprehensive research and development programme.

Yunca wood burners fire boxes are warranted, with proof of purchase, to the first owner of each appliance for a period of 10 years commencing on date of delivery of the appliance in new and unused state.

All Yunca heaters, (inclusive of all consumables, bricks, handles etc...) are 100% warranted, with proof of purchase, to the first owner of each appliance for a period of 12 months, commencing on date of delivery of the appliance in new and unused state.



# Your local Yunca store

Proudly distributed by Pivot Stove & Heating Australia  
[pivotstove.com.au](http://pivotstove.com.au)

