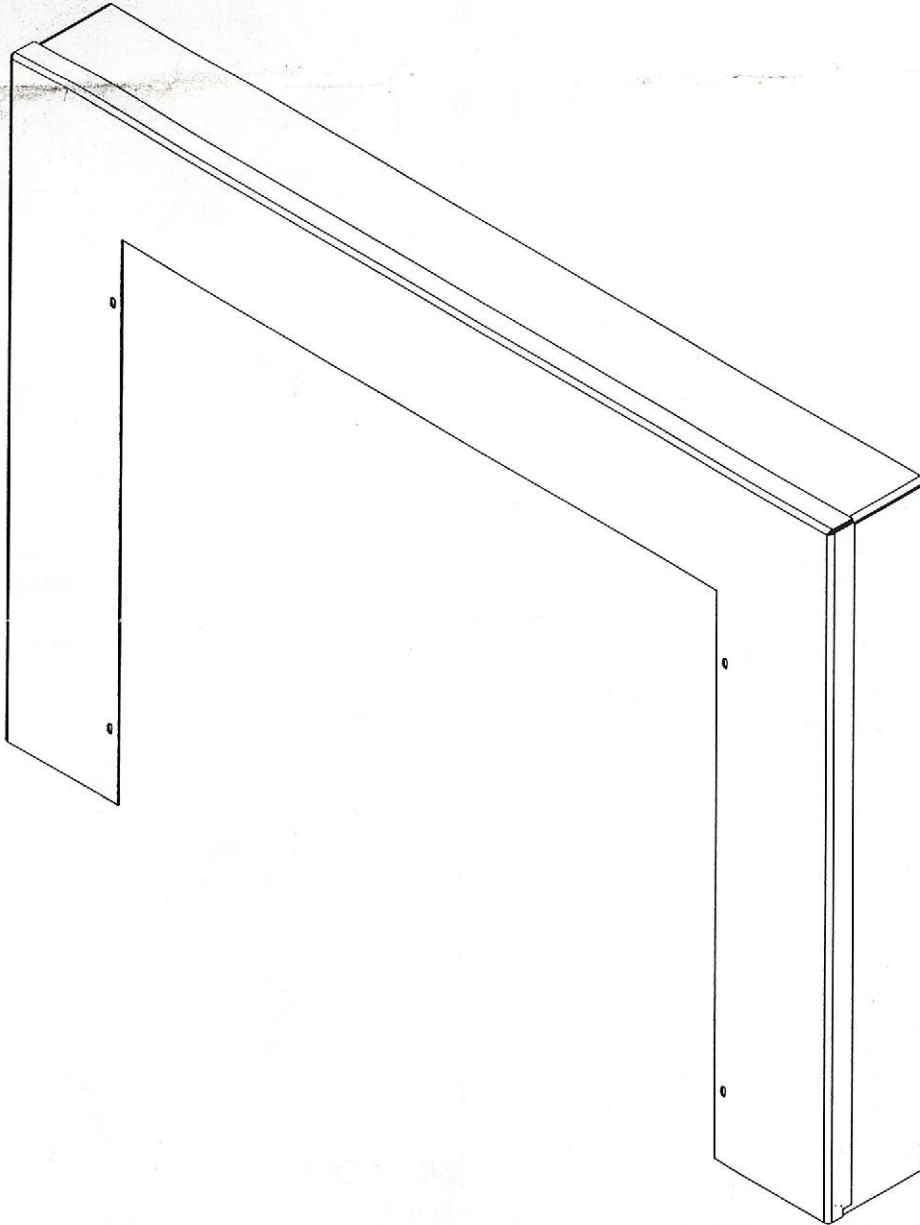




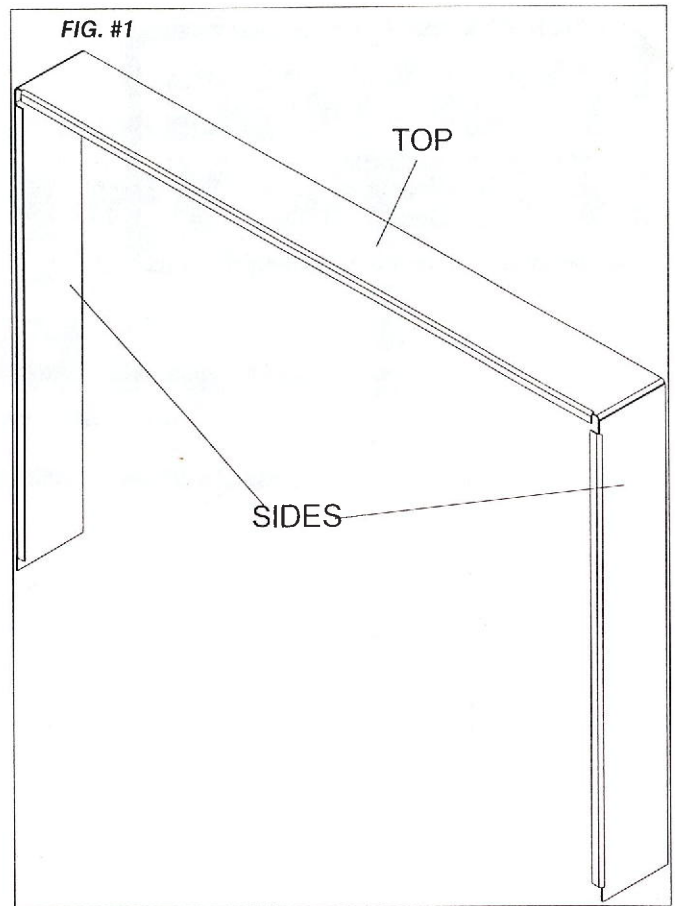
# Deep Recess Surround Extension



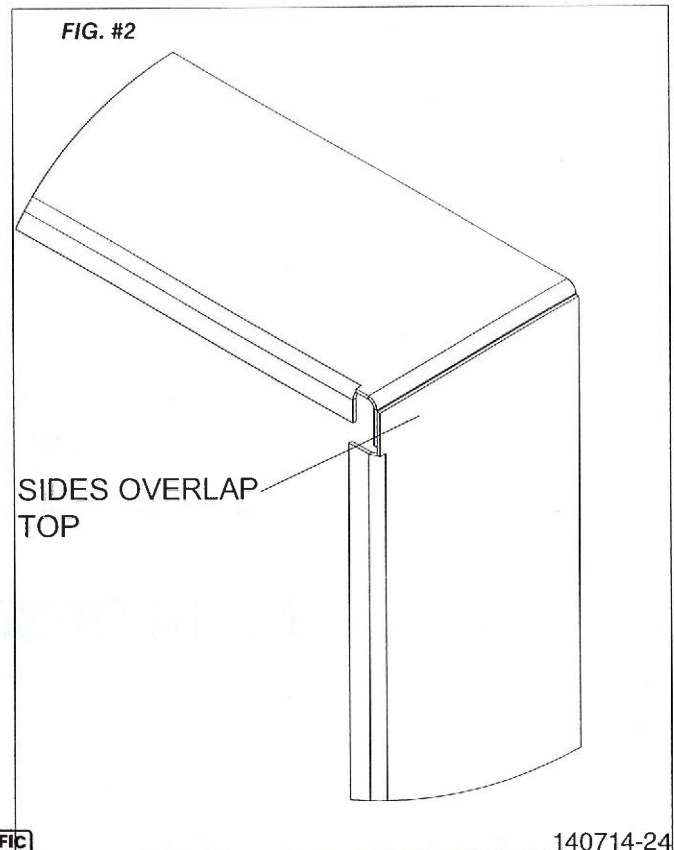
MODEL: NE16.DR30A-A, NE25.DR30A-A

## Assembly

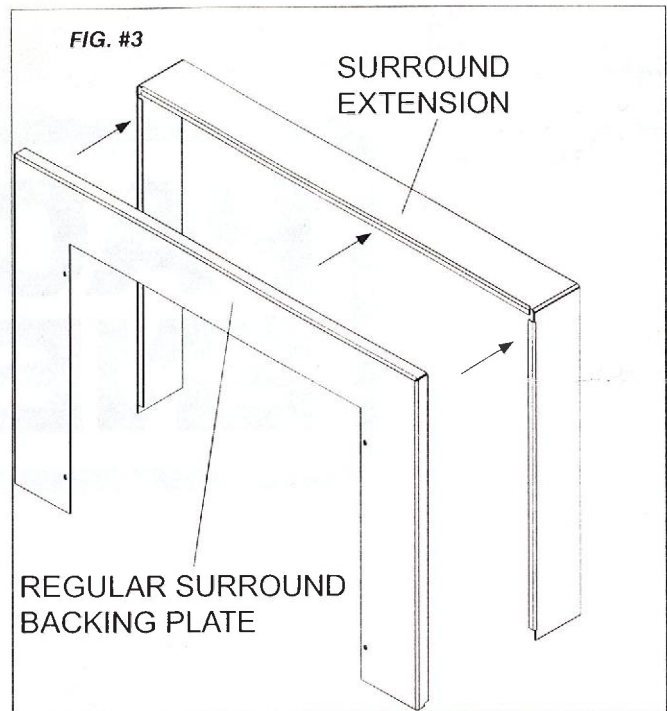
1. Attach the sides to the top. The Deep Recess Surround can be assembled using silicone or screws. Fig. #1 (12 screws provided)



2. The sides sections are attached to the outside of the Top section. At this point you can use screws or silicone to secure the pieces together. Fig. #2



3. Attach the regular surround backing plate (NE25.BPMB-KA, sold separately) to the deep recess assembly using silicone or screws. Fig. #3



4. The Deep Recess Surround is inserted inside of the regular backing plate as shown in Fig. #4
5. Secure the Deep Recess Surround to the unit as per the installation manual.

