

Insulated Room Sealed Flue Kit

8" Standard Ceiling 4m Flue Kit

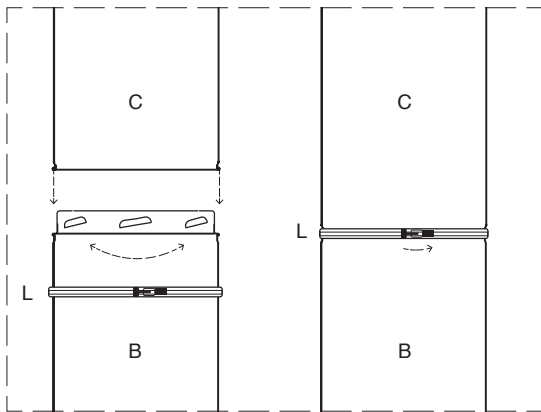
RSF FK8STANDARD

Standard Flue Kit

| | Item | QTY | Product Code |
|---|--|-----|-------------------|
| A | 1000mm 8" Single skin flue Painted black | 2 | RSF8-8BLK |
| B | 1000mm starter length, end painted for drop box | 1 | RSF8-1000-Starter |
| C | 1000mm Room Sealed Flue (with Locking Band) | 1 | RSF8-1000 |
| D | Heat Shield | 1 | RSF8-SHIELD |
| E | Ceiling Ring | 1 | RSF8-CR |
| F | Wind Cowl Stainless Steel | 1 | RSF8-COWL |
| G | Room Sealed Flue Adapter Single to twin 200mm - 250mm | 1 | RSF8-8STARTER |

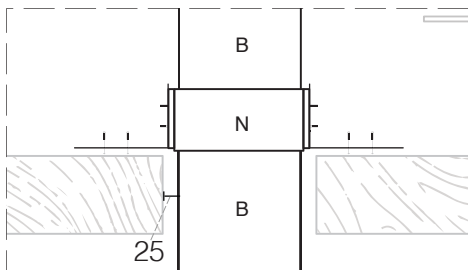
Paint Finish: Stove Bright Metallic Black

Flue Assembly



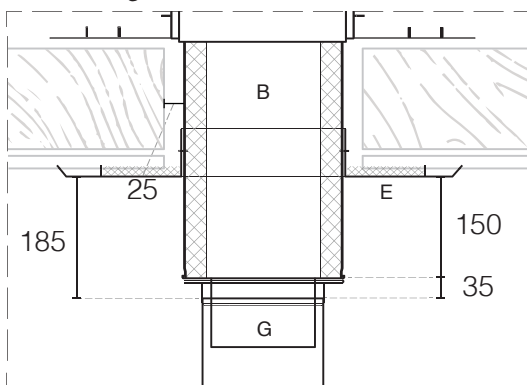
NOTE:
To assemble flue, first lock into place, second secure locking band around joint

Optional Support Brace

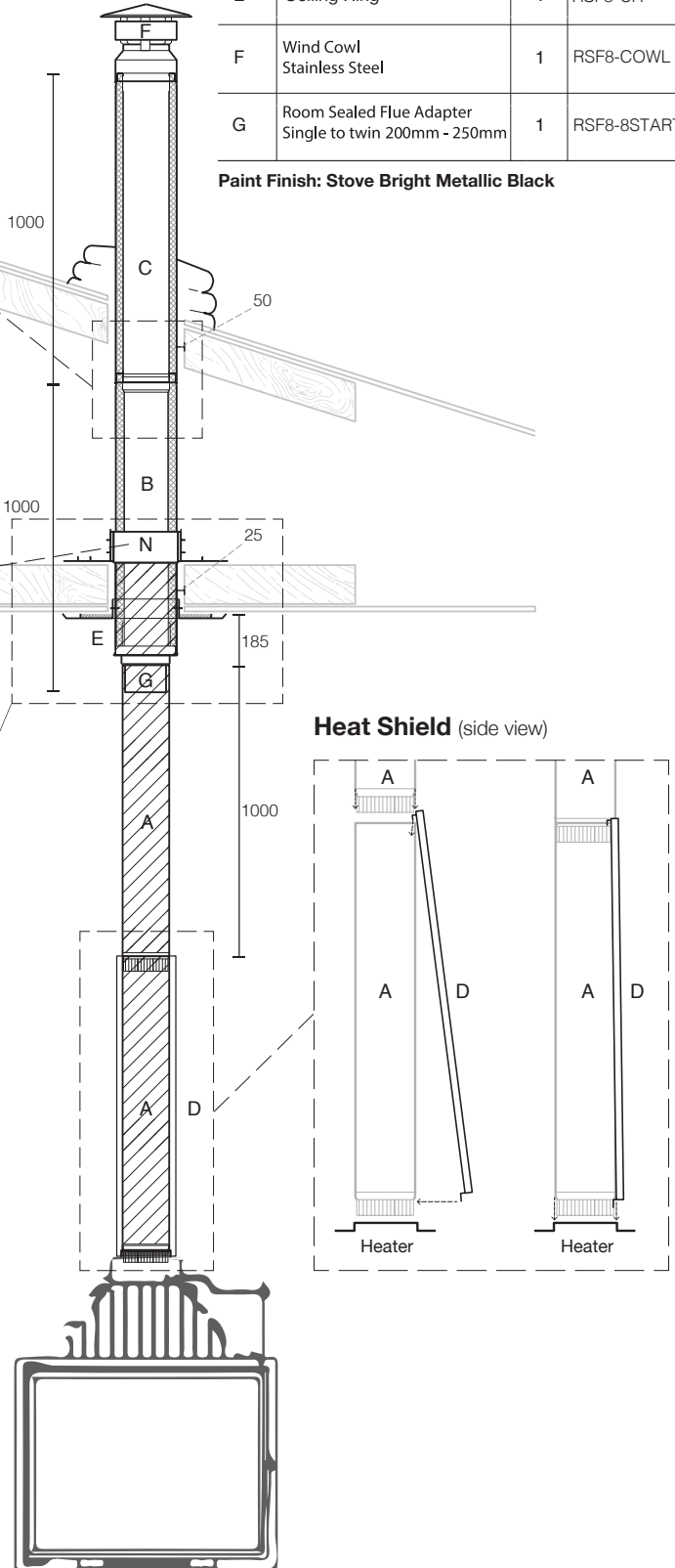


NOTE:
The optional support brace (N) has the ability to adjust to any angle of adjacent roof beams
There is a 25mm clearance between the flue and any timber at all times

Starter Length



NOTE:
150mm single skin flue (A) must terminate 185mm from the ceiling. The 250mm starter length (B) dropping 150mm into the room, with the tail dropping into the A flue
There is a 25mm clearance between the flue and any timber at all times



Heat Shield (side view)

