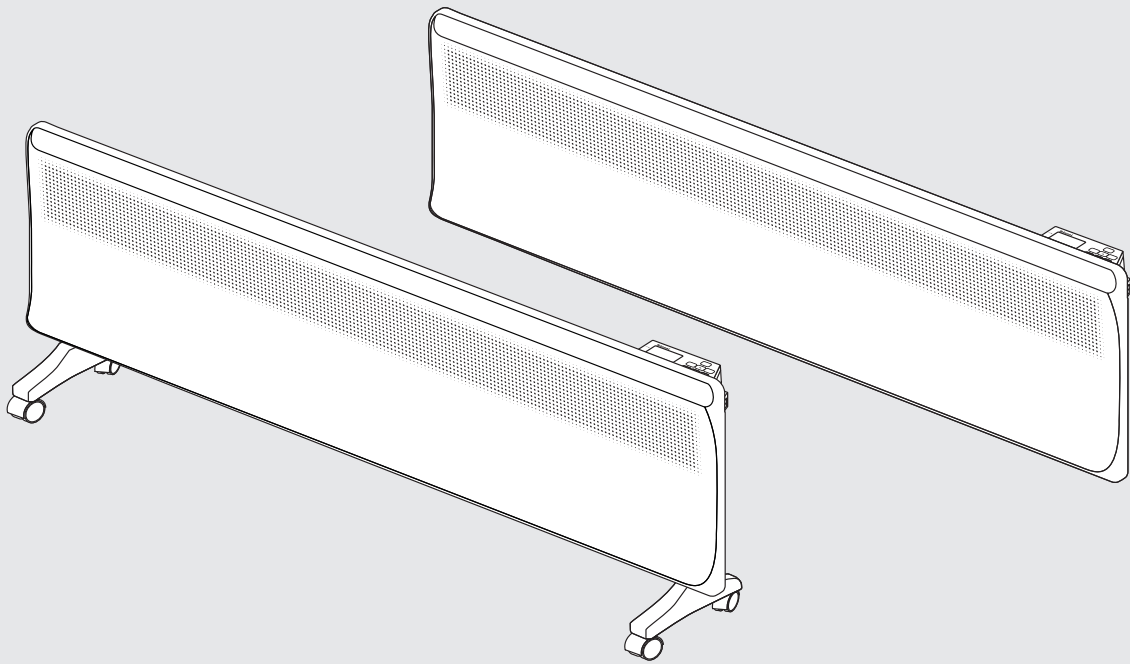


Models:

PEPH-10PEW

PEPH-15PEW

PEPH-22PEW



Electric Panel Heater

Operation & Installation Manual

Rinnai

This appliance must be installed in accordance with:

- Manufacturer's Installation Instructions
- Current AS/NZS 3000
- Local Regulations and Municipal Building Codes including local OH&S requirements

For continued safety of this appliance it must be installed and maintained in accordance with the manufacturer's instructions.

Before proceeding with the operation or installation of your new heater please read this manual thoroughly and gain a full understanding of the requirements, features and operation of your new appliance.



TABLE OF CONTENTS

WARRANTY, FEATURES & SPECIFICATIONS	5
WARRANTY	5
FEATURES.....	5
SPECIFICATIONS.....	5
SAFETY & IMPORTANT POINTS.....	6
UNPACKING THE APPLIANCE	6
WHAT'S IN THE BOX.....	6
SAFETY	6
HOW TO OPERATE THE HEATER	8
GENERAL DESIGN LAYOUT.....	8
MANUAL OPERATION.....	9
PROGRAMMED OPERATION	10
Setting The Clock.....	10
Setting The Programmed Operation Timer.....	11
24 Hour Reset Button.	12
ANTI-FROST PROTECTION FUNCTION	12
ELECTRONIC LOCK FUNCTION	12
To Activate The Lock	12
To Deactivate The Lock.....	12
CARE AND MAINTENANCE.....	13
CARE OF THE HEATER	13
SERVICE AND REPAIR	13
DISPOSAL	13
INSTALLATION	14
GENERAL.....	14
WALL INSTALLATION.....	14
FREESTANDING INSTALLATION	15
CONTACT INFORMATION	16

This page is intentionally blank

WARRANTY, FEATURES & SPECIFICATIONS

WARRANTY

The benefits to the consumer given by this warranty are in addition to all other rights and remedies of the consumer under a law in relation to the goods or services to which the warranty relates.

Our goods come with guarantees that cannot be excluded under the Australian Consumer Law. You are entitled to a replacement or refund for a major failure and for compensation for any other loss or damage. You are also entitled to have the goods repaired or replaced if the goods fail to be of acceptable quality and the failure does not amount to a major failure.

This heater has a 7 year parts warranty from date of purchase. If the product fails within this 7 year period return it to the supplier with proof of purchase for repair or replacement.

Supplier warranty claims for Rinnai products or services must be made by contacting Rinnai Australia. Contact details are on the back of this document.

The following exclusions may cause the warranty to become void and may result in a service charge and costs of parts (if required):

1. Accidental damage and acts of God.
2. Failure due to abuse or misuse, improper maintenance, failure to maintain or improper storage.
3. Failure due to incorrect or unauthorised installations or outdoors use.
4. Failure or damage caused by alterations, service or repair work carried out by persons other than Rinnai service persons or service agents.
5. Where it is found that there is no fault with the appliance and the issue is related to the installation or is due to the failure of electricity supply.

FEATURES

This heater incorporates the following design features.

DIY Installation:

This heater is suitable for Do It Yourself installation.

Silent Operation:

Electric element operation eliminates fan noise.

Draft Free:

Non fan operation also means no drafts.

Low Maintenance:

No moving parts makes for virtually maintenance free operation.

Programmable On / Off Timer:

Equipped with a programmable ON / OFF timer which can be set to operate multiple times over a 24 hour period.

'Tamper Resistant' Operation:

Includes a Lock function designed to prevent accidental operation and small children from altering the heater settings.

Operation:

The heater uses electricity as the heating medium. It operates on the 'natural convection' principle where air from the room is drawn into the 'air inlet' louvres at the base of the appliance, is heated inside the appliance and expelled through the 'air outlet' louvres at the top of the appliance without the use of fans. A sophisticated thermostatic system keeps the room close to the selected temperature.

SPECIFICATIONS

Model		PEPH-22PEW	PEPH-15PEW	PEPH-10PEW
Rated Power		2200 Watt	1500 Watt	1000 Watt
Rated Voltage		240V ~ 50Hz		
Dimensions	Height	440mm	440mm	440mm
	Width	1035mm	775mm	615mm
	Depth	130mm	130mm	130mm
Weight		7.9kg	6.2kg	5.1kg
Installation Options		Wall or Freestanding	Wall or Freestanding	Wall or Freestanding

SAFETY & IMPORTANT POINTS

UNPACKING THE APPLIANCE

If any damage is evident **DO NOT INSTALL** or **OPERATE** and contact your supplier for advice.

WHAT'S IN THE BOX

The package should contain:

Heater fitted with flexible cord and plug.

A plastic bag containing the Operating and Installation Instructions and wall mounting screws.

Two plastic bags containing four castors, two castor brackets, screwdriver and four screws.

SAFETY

It is important the following precautions are followed to minimise the risk of overheating, fire, electric shock and injury.



- The heater is fitted with an Australian flexible cord and 2 pin plug intended for connection to an Australian 10 Amp socket outlet. It is not suitable for connection in other countries or alternative power supplies. Ensure that the voltage and frequency of the power supply correspond to the ratings on the dataplate of the appliance.
- This heater must not be located immediately below or directly in front of a socket-outlet.
- The heater may be direct wired only by a licensed electrical trades person in accordance with local regulations.
- This heater is not intended for use by persons (including children) with reduced physical, sensory or mental capabilities, or lack of experience and knowledge, unless they have been given supervision or instruction concerning use of the appliance by a person responsible for their safety.
- Young children should be supervised to ensure they do not play with the appliance.
- DO NOT allow children or persons with reduced physical, sensory or mental capabilities to sleep directly in front of the heater.
- DO NOT allow children to 'post articles' into the louvres of the heater.
- The electrical cord must not come into contact with the heated parts of the heater.
- DO NOT use power boards or double adaptors with this heater.
- DO NOT coil or bundle the electric cord to reduce it's length as overheating of the cord may occur which could result in a fire hazard.
- The flexible cord and plug must not be modified. If the cord or plug are damaged, they must be replaced by Rinnai or a Rinnai appointed service agent.
- DO NOT cover or place articles on or against any parts of this heater, to avoid overheating.
- DO NOT sit on this heater.
- If used as a portable heater, do not use in the immediate surroundings of a bath, a shower or a swimming pool.
- If used as a portable heater, unplug and allow to cool before placing in storage.
- If used as a portable heater, do not move whilst it is turned on.
- DO NOT unplug the heater by pulling on the flexible cord.
- DO NOT handle any parts of the heater, including the plug and flexible cord, with wet or damp hands.
- DO NOT immerse the appliance, flexible cord and plug in water or any other liquid.
- DO NOT place containers of any liquid or wax on top of the heater.
- Turn off the appliance and unplug from the power socket outlet when not in use.
- DO NOT use in areas where flammable liquids are stored.
- This appliance is suitable for indoor use only.
- Never dismantle the appliance. Tampering with electrical connections and components is highly dangerous and may cause appliance malfunction.



- **DO NOT** use this heater if it has been dropped.
- **DO NOT** use if there are visible signs of damage to the heater.
- Use this heater on a horizontal and stable surface, or fix it to the wall, as applicable.
- **DO NOT** use this heater in small rooms when they are occupied by persons not capable of leaving the room on their own, unless constant supervision is provided.
- To reduce the risk of fire, keep textiles, curtains, or any other flammable material a minimum distance of 1 m from the air outlet.



MANDATORY INSPECTION PRIOR TO INSTALLATION

Immediately report any damage or discrepancies to the Supplier of the appliance. This appliance was inspected and tested at the time of manufacture and packaging, and released for transportation without known damage. Upon receipt, inspect the exterior for evidence of rough handling in shipment. Ensure that the appliance is labelled correctly for the gas and electrical supply, and/or other services it is intended to be connected to.

For safety and warranty purposes, appliances that may be damaged or incorrect **MUST NOT** be installed or operated under any circumstances. Installation of damaged or incorrect appliances may contravene local government regulations. Rinnai disclaims any liability or responsibility whatsoever in relation to the installation or operation of damaged or incorrect appliances.

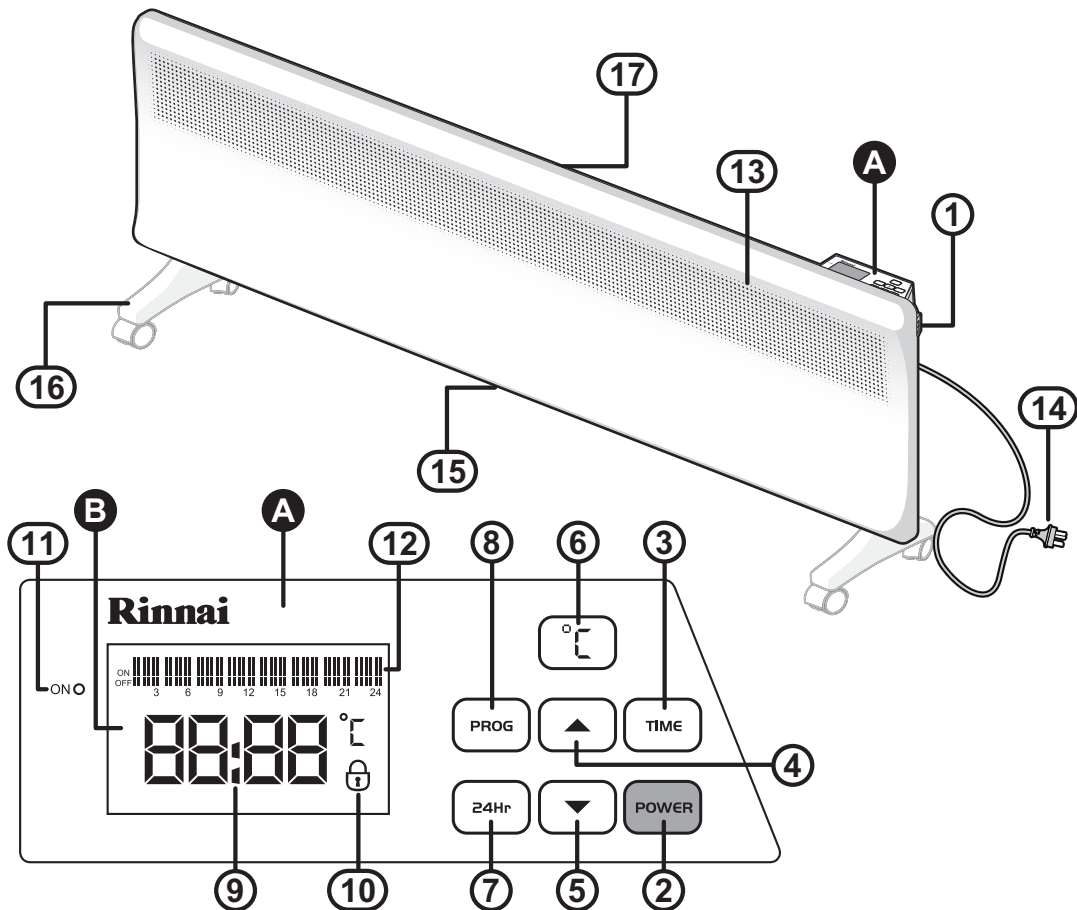


A NOTE ON ILLUSTRATIONS

The illustrations used in this manual are for explanatory purposes only and the shape of your unit may vary slightly from that which is shown in this manual.

HOW TO OPERATE THE HEATER

GENERAL DESIGN LAYOUT



A Control panel console

B LCD display

① MAIN POWER Switch

② POWER `ON` / `OFF` button

③ TIME setting button

④ `UP` button

⑤ `DOWN` button

⑥ Temperature setting button

⑦ 24 Hour reset button

⑧ `PROGRAM` button

⑨ Clock / Temperature display

⑩ Lock indicator

⑪ Heater operation indicator (Red)

⑫ Timer operation indicator

⑬ Warm air discharge

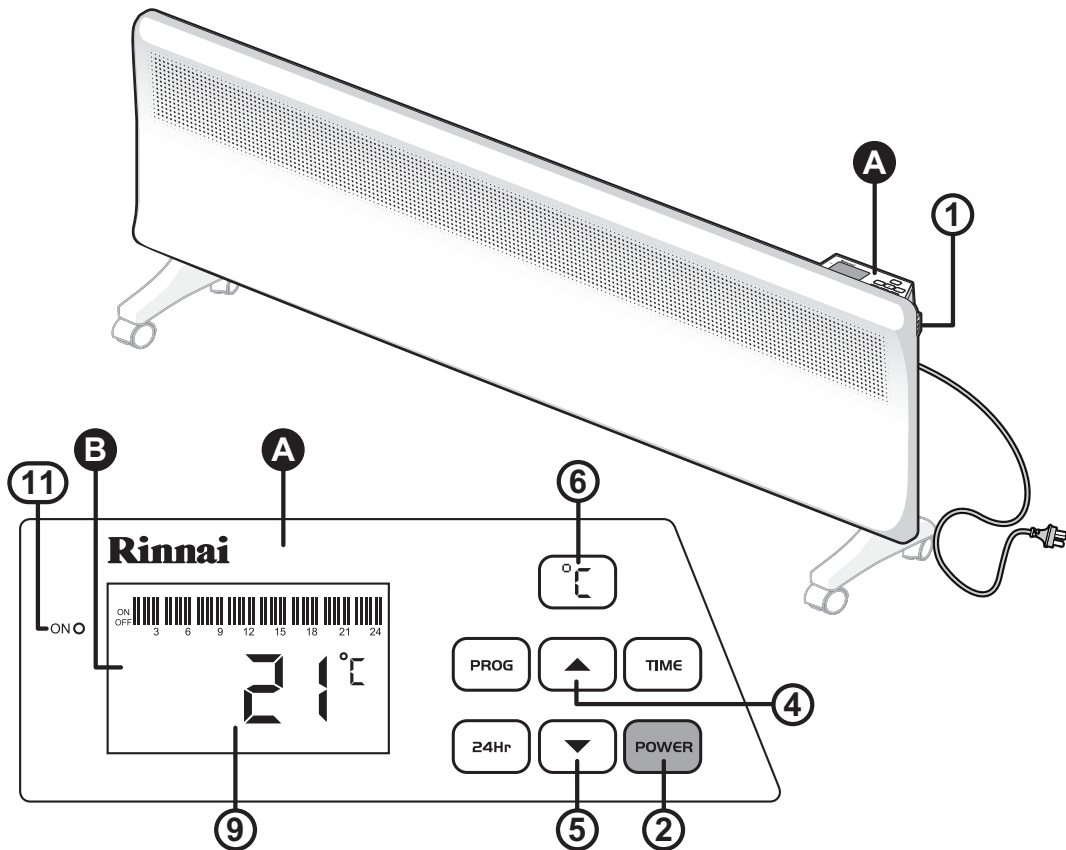
⑭ 240 Volt power cord & plug

⑮ Air inlets

⑯ Optional castors for floor mounting (see "INSTALLATION" on page 14 for installation options)

⑰ Mounting bracket for wall installation (see "INSTALLATION" on pages 13 & 14 for installation options)

MANUAL OPERATION



To turn the heater on and set the temperature:

Ensure heater is plugged in and the power socket outlet is switched on.

1. Turn the main power switch ① located on the right hand side of the appliance, to the 'on' position. The digital LCD Display ② will illuminate briefly and a double beep will be heard.
2. Press the POWER button ③ on the control panel console ④ once to start heating operation. The red operation indicator ⑤ will illuminate. Two digits ⑥ on the display panel will show the programmed temperature setting. The factory setting temperature is 21°C.
3. To change the temperature setting press the °C button ⑦ once. The right-hand digits ⑧ on the display panel will flash.



If after 60 seconds no buttons are pressed the digits will stop flashing and the display will revert back to the current operating setting. Simply press the °C button ⑦ to re-enter temperature setting operation.

Press the 'Up' ④ or 'Down' ⑤ buttons to increase or decrease the temperature setting. The available temperature setting range is from 5°C to 30°C.

4. To exit the temperature setting operation either press the °C button ⑦ or wait 60 seconds. The selected temperature will now be set and displayed alternately with the time display (see "Setting The Clock." on page 9).

If the selected temperature is above that of the current room temperature the red operation indicator ⑤ will illuminate and the heater will begin to heat the room.

If the selected temperature is less than that of the current room temperature the red operation indicator ⑤ will go out and the heater will go into a standby state until the room temperature has fallen below the set temperature, when the heater will then automatically switch on and heat the room.

5. To stop heater operation completely press POWER button ③.



During the initial burning in period or after long periods of non use some light grey smoke or smell may be experienced. This is normal and is caused by dust that may have settled on the heating element. During this period the space being heated should be well ventilated.

PROGRAMMED OPERATION

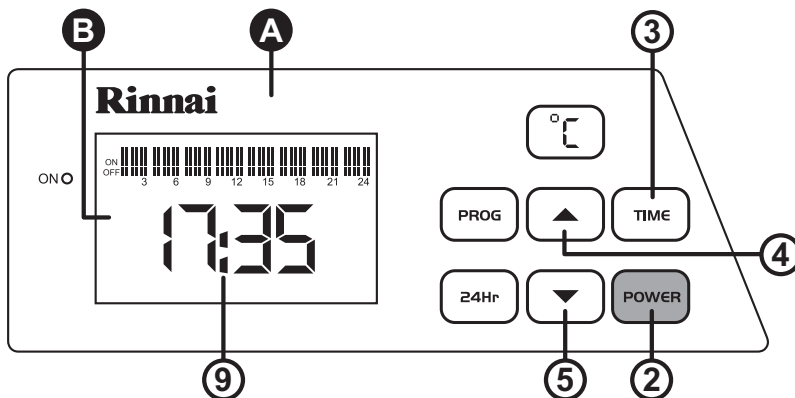
In addition to MANUAL OPERATION the heater can also be operated using a PROGRAMMED OPERATION function, allowing the user to program the heater to operate for a set time period(s) over a 24 hour cycle.



Before the PROGRAMMED OPERATION can be used the clock will need to be set.

If the clock is not set when the heater is turned on the time will default to 00:00 (12 Midnight) and will begin running from that time.

Setting The Clock.



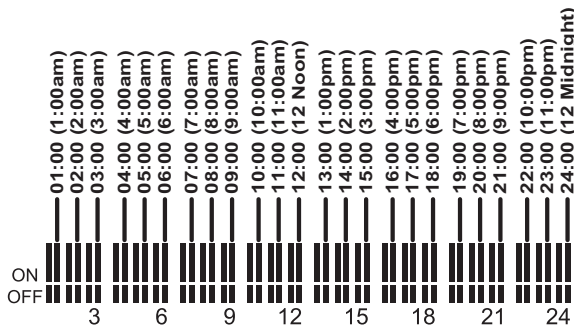
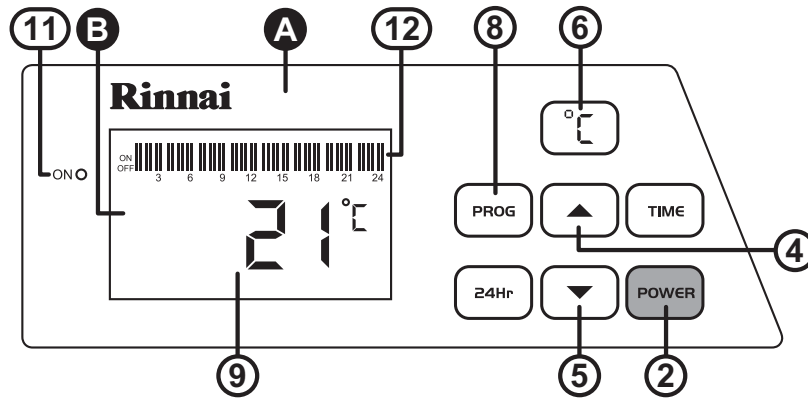
1. Press the POWER button ② on the control panel console ①, press the TIME button ③ this activates the time "hour" edit mode, use the 'Up' ④ or 'Down' ⑤ buttons to set the Hours. Once the "hour" has been set press the TIME button ③ to set the "minutes" and use the 'Up' ④ or 'Down' ⑤ buttons to set the "minutes".
2. Once the "minutes" are set, press the time ③ button to save the set time. The time displayed is in 24 Hour time.



If the appliance is turned off using the power button ② the time will be saved.

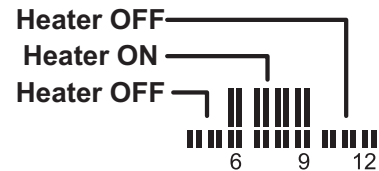
If the appliance is turned off using the main power switch ① then the time setting will be lost and will require re-setting.

Setting The Programmed Operation Timer



Timer time block details

Time block states



Use (4) to select ON Blocks



Use (5) to select OFF Blocks



Example shows that the heater is set to be ON at 05:00 to 09:00 & 16:00 to 22:00

1. To set the ON and OFF timer periods for the heater press the PROG button (8). The first time block of the Timer Operation (12) indicator will begin to flash.
2. Press the 'Up' (4) button to make the selected block an ON block (the heater will be ON at this time) or press the down (5) button to make the selected block an OFF block (the heater will be OFF at this time), each press moves the selection on to the next available block cycling from left to right.
3. To save the timer settings press the PROG button (8).



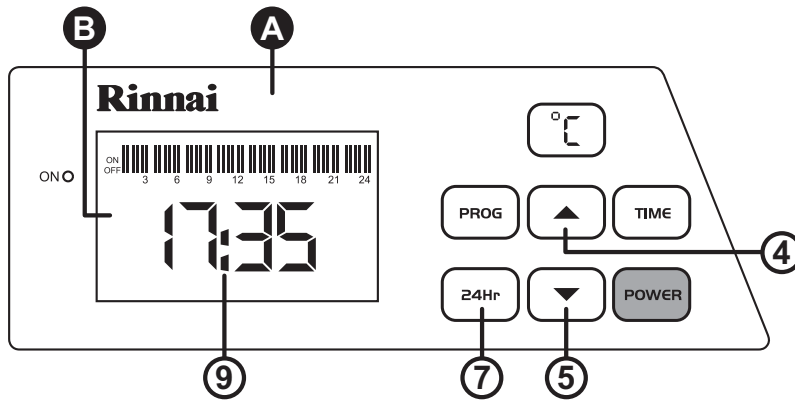
If after 60 seconds no buttons are pressed the heater will revert back to the current operating setting. Simply press the PROG (8) button to re-enter the timer setting operation.

If the appliance is turned off using the power button (2) the timer settings will be saved.

If the appliance is turned off using the main power switch (1) then the timer settings will be lost and will require re-setting.

4. Once the timer has been programmed, the heater will automatically turn ON and OFF and heat to the set temperature for the set times.
5. To edit the timer settings press the PROG button (8) then change the state of the desire block(s) press the 'Up' (4) or 'Down' (5) buttons. To save the new timer settings press the PROG button (8).
6. To stop Timer operation press the POWER button (2).

24 Hour Reset Button.

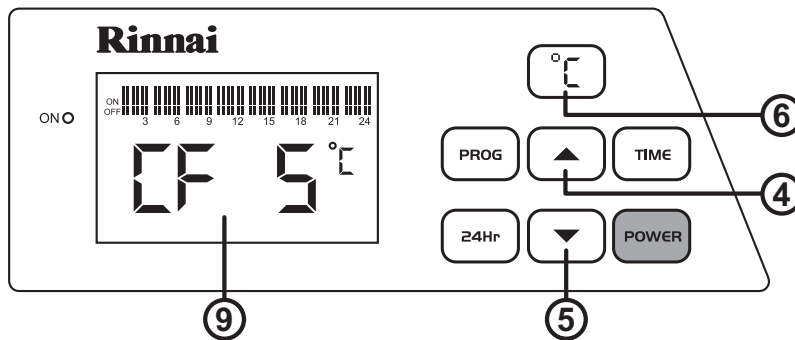


1. To completely cancel the programmed timer operation and restore the heater to manual operation press the 24Hr button (7), this resets all the time blocks to ON (the heater will be ON at this time) and does not reset the clock.
2. The heater will now operate as for “MANUAL OPERATION” on page 8.



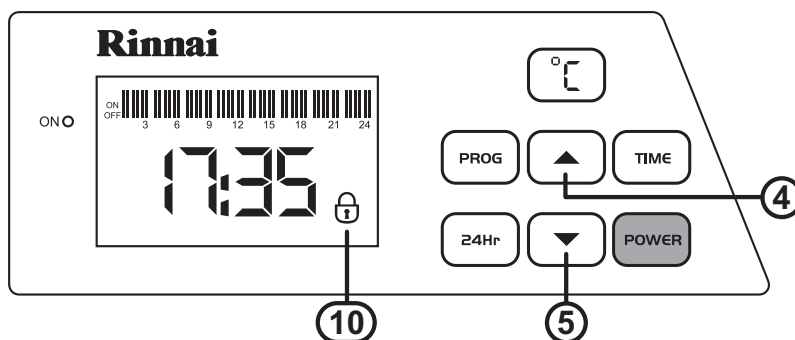
The operational timer will need re-programming before the ON / OFF timer based operation can be used see “Setting The Programed Operation Timer” on page 10 for details.

ANTI-FROST PROTECTION FUNCTION



If the set temperature is set to CF 5 °C then the constant frost protection program will be activated. This is useful during winter in alpine areas where the ambient temperature is likely to fall below 5° C.

ELECTRONIC LOCK FUNCTION



The Lock function is designed to prevent accidental operations and small children from altering the heater settings.

To Activate The Lock

Press the ‘Up’ (4) or ‘Down’ (5) buttons simultaneously until three beeps are heard and the padlock symbol (10) is displayed. All control functions are now locked and none of the buttons on the control will work.

To Deactivate The Lock

To deactivate the lock, repeat locking step above to return to normal operation.



The Lock function is also de-activated if the heater is switched ‘off’ via the main power switch (1).

CARE AND MAINTENANCE

CARE OF THE HEATER

Due to the 'natural convection' operating principle it is normal that some dust and fluff may build up at the air inlet and air outlet louvres over time. This will reduce operating effectiveness and may result in the appliance overheating if left for too long.

DO NOT use solvents to clean any parts.

To remove dust and clean the appliance:

1. Unplug the electric plug of the heater from the socket outlet before commencing cleaning.
2. Allow to cool down.
3. Use a vacuum cleaner to remove any dust and fluff from the inlet and outlet louvres.
4. All parts of the heater can be cleaned using a soft, damp cloth with some mild detergent (such as dishwashing liquid) if required.
5. Ensure the heater is dry before reconnecting to the electricity supply.

SERVICE AND REPAIR

If the electric power cord or plug are damaged, they must be replaced by Rinnai or a Rinnai appointed service agent.

There are no user serviceable parts inside the appliance. All service and repair work must be carried out by persons competent and permitted by law to do so.

If the heater requires service or repair contact your supplier or Rinnai Australia.

DISPOSAL

Electrical appliances may contain materials which, if handled or disposed off incorrectly, present a hazard to humans or the environment.

DO NOT dispose of your old appliance with your household waste. Dispose of your old appliance at your local community waste collection / recycling centre and ensure it presents no danger to children whilst being stored for disposal.

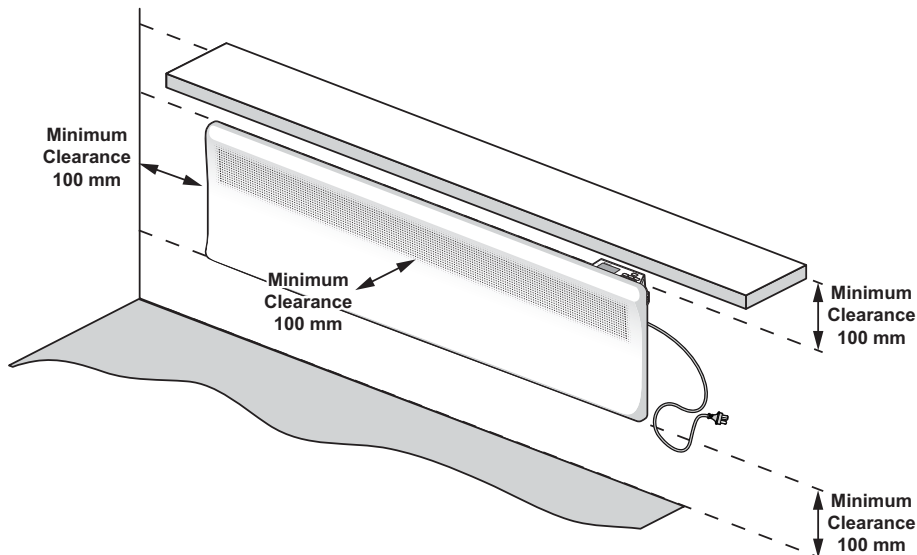
INSTALLATION

GENERAL

This heater is suitable for Do It Yourself installation. It can be either wall mounted (fixed installation) or freestanding by mounting castors in accordance with these instructions. A phillips head screwdriver is included for freestanding installation. For wall installation other tools and hardware may be required, depending on the wall material.

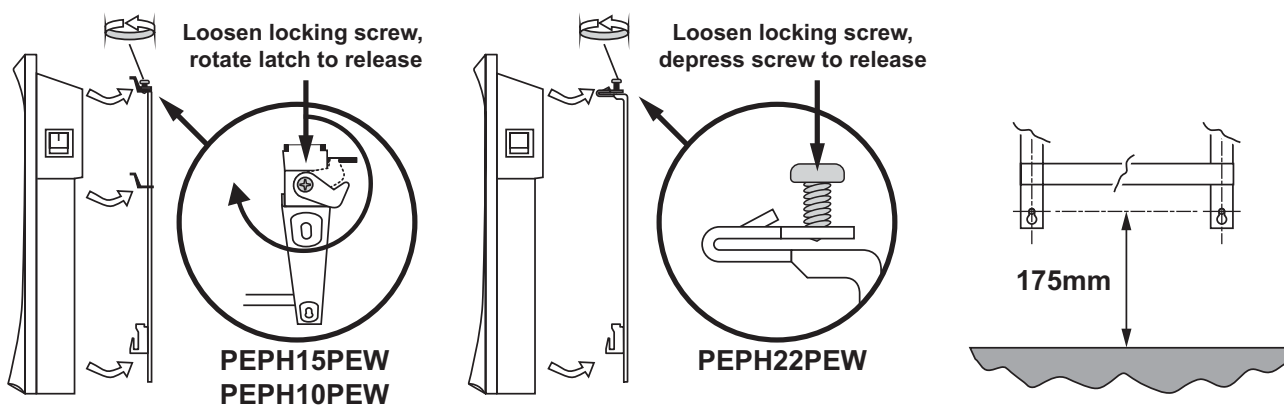
WALL INSTALLATION

The clearance from the sides, front and top of the heater must be at least 100mm as shown in the diagram below.



- This heater **MUST NOT** be located immediately below a socket-outlet.
- This heater **MUST** be positioned within one metre of a socket-outlet to ensure the flexible cord and plug can reach it.
- This heater is **NOT** designed to be built in.
- **DO NOT** attach the castors to the heater base for wall installations.
- The heater is suitable for installation in non-communal baths and shower areas or bathrooms. It is to be installed such that switches and other controls cannot be touched by a person in the bath or shower. Consult your licensed electrical trades person for installation in communal baths and shower areas or bathrooms.

1. Ensure the heater is unplugged from the power socket outlet and the 'on / off' switch is in the off position before commencing wall mounting.

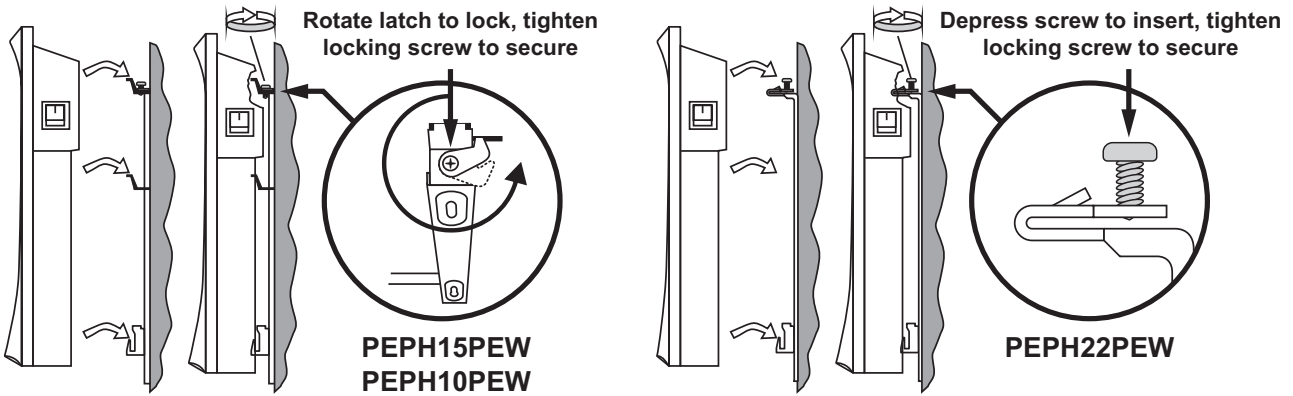


2. For models **PEPH15PEW** & **PEPH10PEW**, loosen the locking screw and rotate the locking latch on the taller leg of the mounting bracket and detach the mounting bracket from the back of the panel heater.

For model **PEPH22PEW**, loosen the locking screw on each leg of the mounting bracket, depressing both to detach the mounting bracket from the back of the panel heater.

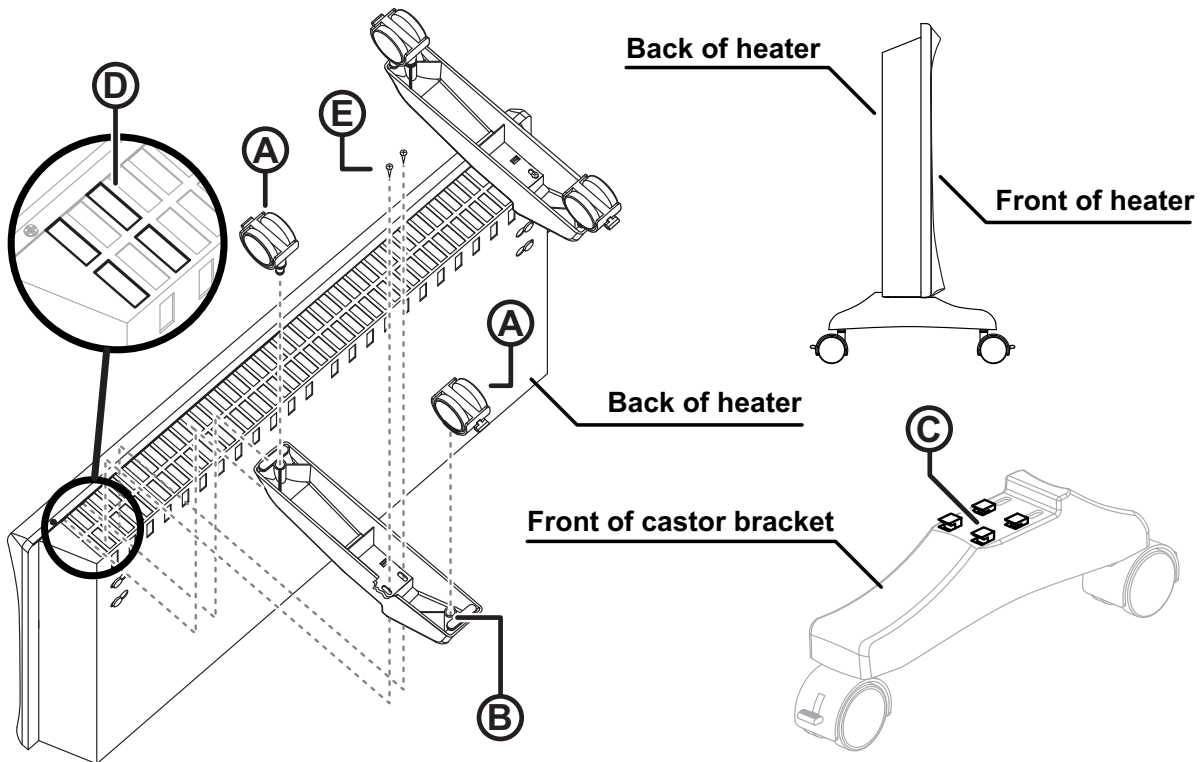
3. Position the mounting bracket on the wall. Ensure the two bottom mount holes are at least 175mm from the floor and drill holes as required.

- Secure the mounting bracket to the wall with the 4 mounting screws. For masonry walls use the plastic plugs with screws provided. For plaster walls obtain suitable plasterboard fasteners from a building hardware supplier.



- Re-attach heater to the mounting bracket (reverse method of step 2.) and secure with the locking screw(s).
- Remove the cable tie from the flexible cord and insert the 2 pin plug of the heater into the power socket outlet. **DO NOT** bundle or coil the flexible cord to reduce its length as overheating and subsequent fire hazard could result.

FREESTANDING INSTALLATION



- Be sure heater is unplugged and power switches are off.
- Place the heater in an 'upside down' position with the back of the heater facing you.
- Assemble the 2 castors (A) to the each castor bracket (B) by pushing the metal shaft fully home.
- With the front end of the castor support bracket pointed towards the front of the heater, align the four locating tabs (C) with the four of the outer most air inlets (D) then push down and forward until the tabs are fully engaged with the heater. Then secure each of the castor brackets in place with retaining screws (E), using two for each.
- Remove the cable tie from the flexible cord and insert the 2 pin plug of the heater into the power socket outlet. **DO NOT** bundle or coil the flexible cord to reduce its length as overheating and subsequent fire hazard could result.

Rinnai Australia Pty Ltd

ABN 74 005 138 769 | AU45204

100 Atlantic Drive, Keysborough, Victoria 3173
P.O. Box 460, Braeside, Victoria 3195
Tel: (03) 9271 6625
Fax: (03) 9271 6622

National Help Line

Tel: 1300 555 545* Fax: 1300 555 655
Monday to Friday, 8.00 am to 5.00 pm EST.

**Cost of a local call higher from mobile or public phones.*

For further information visit www.rinnai.com.au
or email enquiry@rinnai.com.au

Rinnai has a Service and Spare Parts network with personnel who are fully trained and equipped to give the best service on your Rinnai appliance. If your appliance requires service, please call our National Help Line.

With our policy of continuous improvement, we reserve the right to change, or discontinue at any time, specifications or designs without notice.