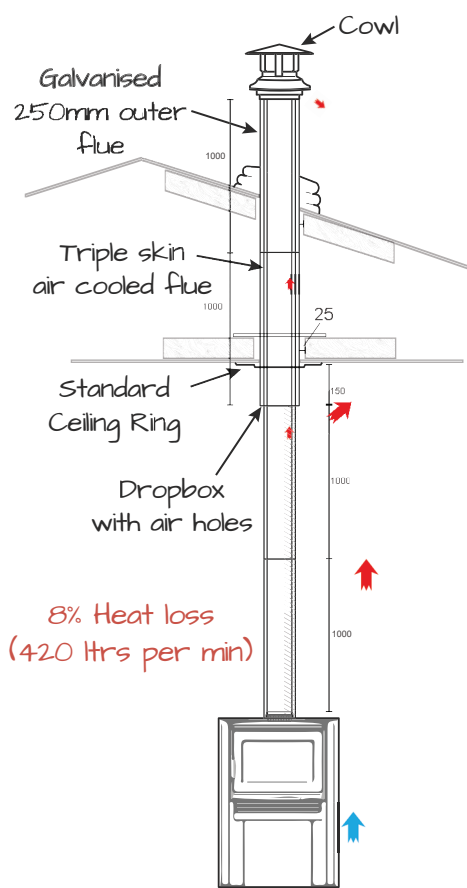




# Finish the look with the right flue..

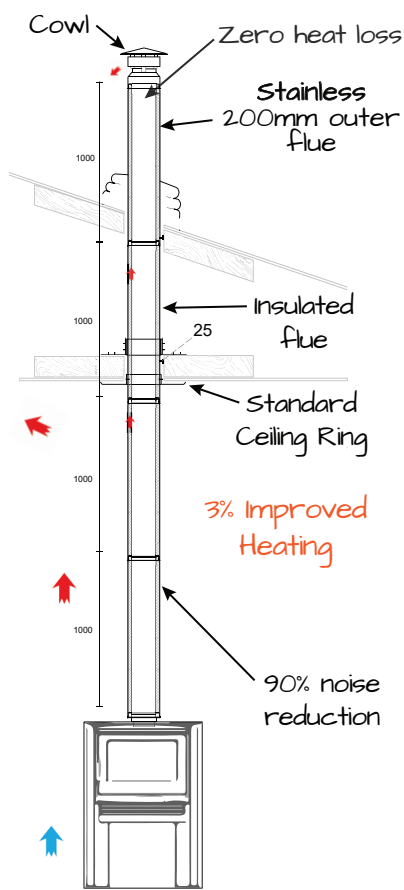
## Triple Skin Flue Kit

Air Cooled 4m Flue Kit



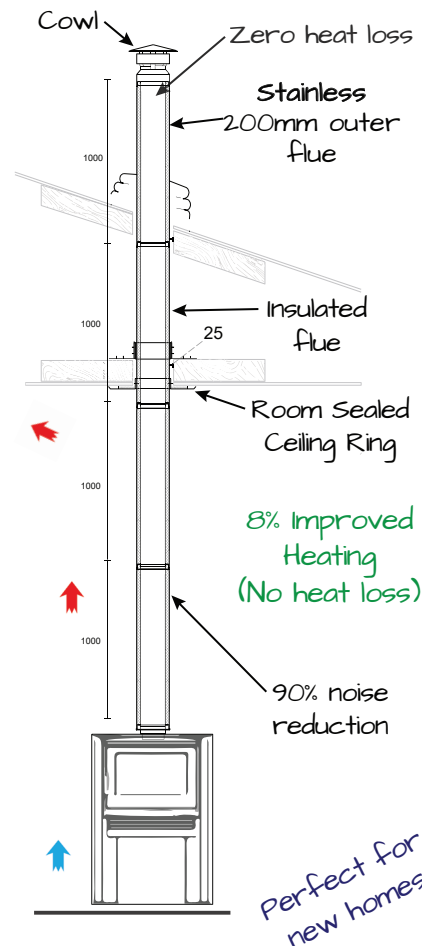
## Insulated Flue Kit

Insulated 4m Flue Kit



## Insulated Room Sealed Flue Kit

Insulated 4m Flue Kit



## Room Sealed Flue Kits offer:

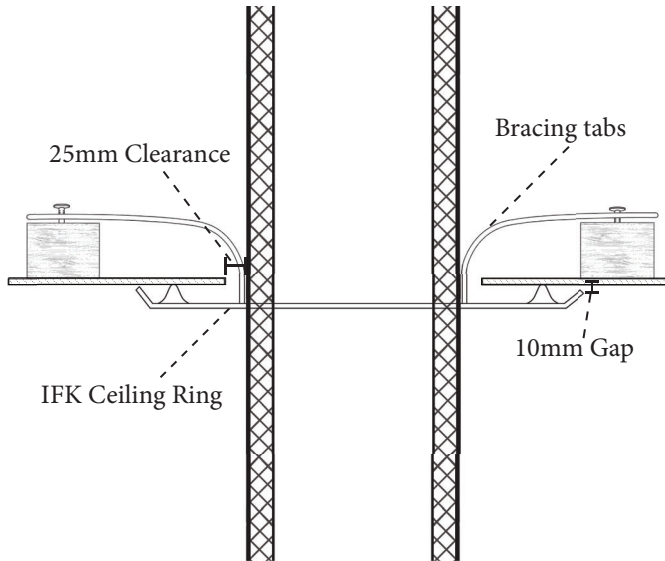
- All Stainless construction
- Increases Efficiency by up to 8%
- Up to 90% Noise Reduction
- Safer to install
- Offset & Bends faster to install
- Stops debris falling on top of heater
- Insulated ceiling ring creates an air tight room to give a true room seal flue kit solution, perfect for High Efficient homes
- Insulated flue promotes a cleaner burn by providing a consistent flue temperature
- BAL rated to BAL-40 & BAL-FZ
- Increases burn time by up to 20%
- 7 Year Warranty



A quick look at Pivot's RSF

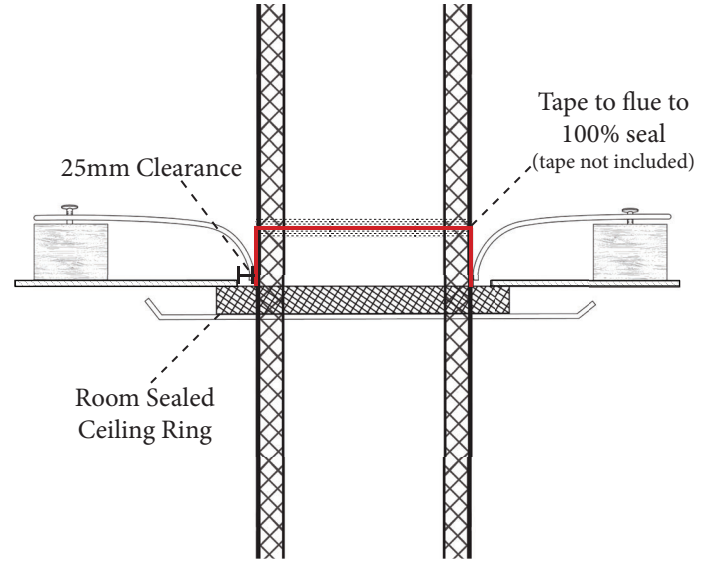
# Ceiling Ring Insulated Flue Kit

Pivot's Insulated Flue Kit (IFK)  
Non insulated ceiling ring



# Ceiling Ring Room Sealed Flue Kit

Pivot's Room Sealed Flue Kit (RSF)  
With an Insulated Ceiling Ring to fully air seal the flue



Improves heating by 8%  
Passive & New home approved



Correct way to install a RSF ceiling ring



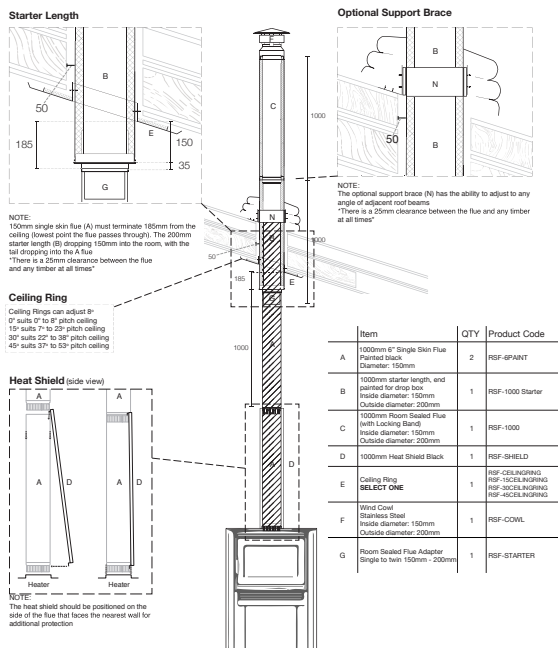
The RSF ceiling ring difference



Correct size ceiling cutout

## Insulated Room Seal Flue Kit

Cathedral Ceiling 4m Flue Kit



## Following pitches available for IFK & RSF ceiling rings:

- 0° will suit any ceiling pitch from 0° to 8°
- 15° will suit any ceiling pitch from 9° up to 18°
- 22° will suit any ceiling pitch from 18° to 28°
- 30° will suit any ceiling pitch from 28° to 38°
- 45° will suit any ceiling pitch from 38° to 47°

# Contents

## Single Story Flue Kits

pages 6-9

### Insulated Room Sealed Flue Kit

#### Standard Ceiling 4m Flue Kit

**Parts List:**

Part	QTY
1. Flue	1
2. Flue Cap	1
3. Flue Sealant	1
4. Flue Support Brace	1
5. Flue Sealant	1
6. Flue Sealant	1
7. Flue Sealant	1
8. Flue Sealant	1
9. Flue Sealant	1
10. Flue Sealant	1
11. Flue Sealant	1
12. Flue Sealant	1
13. Flue Sealant	1
14. Flue Sealant	1
15. Flue Sealant	1
16. Flue Sealant	1
17. Flue Sealant	1
18. Flue Sealant	1
19. Flue Sealant	1
20. Flue Sealant	1
21. Flue Sealant	1
22. Flue Sealant	1
23. Flue Sealant	1
24. Flue Sealant	1
25. Flue Sealant	1
26. Flue Sealant	1
27. Flue Sealant	1
28. Flue Sealant	1
29. Flue Sealant	1
30. Flue Sealant	1

### Insulated Room Sealed Flue Kit

#### Fully Sealed 4m Flue Kit

**Parts List:**

Part	QTY
1. Flue	1
2. Flue Cap	1
3. Flue Sealant	1
4. Flue Support Brace	1
5. Flue Sealant	1
6. Flue Sealant	1
7. Flue Sealant	1
8. Flue Sealant	1
9. Flue Sealant	1
10. Flue Sealant	1
11. Flue Sealant	1
12. Flue Sealant	1
13. Flue Sealant	1
14. Flue Sealant	1
15. Flue Sealant	1
16. Flue Sealant	1
17. Flue Sealant	1
18. Flue Sealant	1
19. Flue Sealant	1
20. Flue Sealant	1
21. Flue Sealant	1
22. Flue Sealant	1
23. Flue Sealant	1
24. Flue Sealant	1
25. Flue Sealant	1
26. Flue Sealant	1
27. Flue Sealant	1
28. Flue Sealant	1
29. Flue Sealant	1
30. Flue Sealant	1

### Insulated Room Sealed Flue Kit

#### Rear Flue Kit

**Parts List:**

Part	QTY
1. Flue	1
2. Flue Cap	1
3. Flue Sealant	1
4. Flue Support Brace	1
5. Flue Sealant	1
6. Flue Sealant	1
7. Flue Sealant	1
8. Flue Sealant	1
9. Flue Sealant	1
10. Flue Sealant	1
11. Flue Sealant	1
12. Flue Sealant	1
13. Flue Sealant	1
14. Flue Sealant	1
15. Flue Sealant	1
16. Flue Sealant	1
17. Flue Sealant	1
18. Flue Sealant	1
19. Flue Sealant	1
20. Flue Sealant	1
21. Flue Sealant	1
22. Flue Sealant	1
23. Flue Sealant	1
24. Flue Sealant	1
25. Flue Sealant	1
26. Flue Sealant	1
27. Flue Sealant	1
28. Flue Sealant	1
29. Flue Sealant	1
30. Flue Sealant	1

## 2 Story Flue Kits

pages 10-15

### Insulated Room Sealed Flue Kit

**Parts List:**

Part	QTY
1. Flue	1
2. Flue Cap	1
3. Flue Sealant	1
4. Flue Support Brace	1
5. Flue Sealant	1
6. Flue Sealant	1
7. Flue Sealant	1
8. Flue Sealant	1
9. Flue Sealant	1
10. Flue Sealant	1
11. Flue Sealant	1
12. Flue Sealant	1
13. Flue Sealant	1
14. Flue Sealant	1
15. Flue Sealant	1
16. Flue Sealant	1
17. Flue Sealant	1
18. Flue Sealant	1
19. Flue Sealant	1
20. Flue Sealant	1
21. Flue Sealant	1
22. Flue Sealant	1
23. Flue Sealant	1
24. Flue Sealant	1
25. Flue Sealant	1
26. Flue Sealant	1
27. Flue Sealant	1
28. Flue Sealant	1
29. Flue Sealant	1
30. Flue Sealant	1

### Insulated Room Sealed Flue Kit

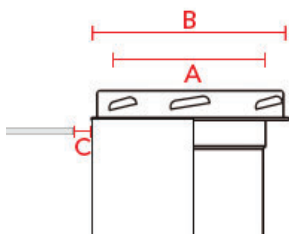
**Parts List:**

Part	QTY
1. Flue	1
2. Flue Cap	1
3. Flue Sealant	1
4. Flue Support Brace	1
5. Flue Sealant	1
6. Flue Sealant	1
7. Flue Sealant	1
8. Flue Sealant	1
9. Flue Sealant	1
10. Flue Sealant	1
11. Flue Sealant	1
12. Flue Sealant	1
13. Flue Sealant	1
14. Flue Sealant	1
15. Flue Sealant	1
16. Flue Sealant	1
17. Flue Sealant	1
18. Flue Sealant	1
19. Flue Sealant	1
20. Flue Sealant	1
21. Flue Sealant	1
22. Flue Sealant	1
23. Flue Sealant	1
24. Flue Sealant	1
25. Flue Sealant	1
26. Flue Sealant	1
27. Flue Sealant	1
28. Flue Sealant	1
29. Flue Sealant	1
30. Flue Sealant	1

### Insulated Room Sealed Flue Kit

**Parts List:**

Part	QTY
1. Flue	1
2. Flue Cap	1
3. Flue Sealant	1
4. Flue Support Brace	1
5. Flue Sealant	1
6. Flue Sealant	1
7. Flue Sealant	1
8. Flue Sealant	1
9. Flue Sealant	1
10. Flue Sealant	1
11. Flue Sealant	1
12. Flue Sealant	1
13. Flue Sealant	1
14. Flue Sealant	1
15. Flue Sealant	1
16. Flue Sealant	1
17. Flue Sealant	1
18. Flue Sealant	1
19. Flue Sealant	1
20. Flue Sealant	1
21. Flue Sealant	1
22. Flue Sealant	1
23. Flue Sealant	1
24. Flue Sealant	1
25. Flue Sealant	1
26. Flue Sealant	1
27. Flue Sealant	1
28. Flue Sealant	1
29. Flue Sealant	1
30. Flue Sealant	1



	A Inside Diameter	B Outside Diameter	C Clearance
RSF6	80mm	135mm	25mm
RSF8	150mm	200mm	25mm
RSF10	200mm	250mm	25mm
RSF10	250mm	300mm	25mm

## Single Story Flue Kits

---

- 6 Standard Ceiling 4m Flue Kit
- 8 Fully Sealed 4m Flue Kit

## 2 Story Flue Kits

---

- 10 2 Story Fully Sealed Floor Penetration (Type 3)
- 12 2 Story Fully Sealed Painted Floor Penetration (Type 4)
- 14 2 Story Wall Penetration Kit

## Information

---

- 16 Jarrahdale Flue Guide
- 18 Flue Parts List
- 20 Flashing
- 21 VLAZE Hearths and Heat Shields
- 22 Offset Bends
- 23 Bracing Options



Need more information?

Scan for our full Video Library on installing  
and using Insulated Flue & componentry

Pivot's Insulated Room Sealed (RSF) flue kits are tested to AS / NZS 2918:2018 Appendix F and approved for use for any brand & model of wood stove / heater.

# Insulated Room Sealed Flue Kit

## Standard Ceiling 4m Flue Kit

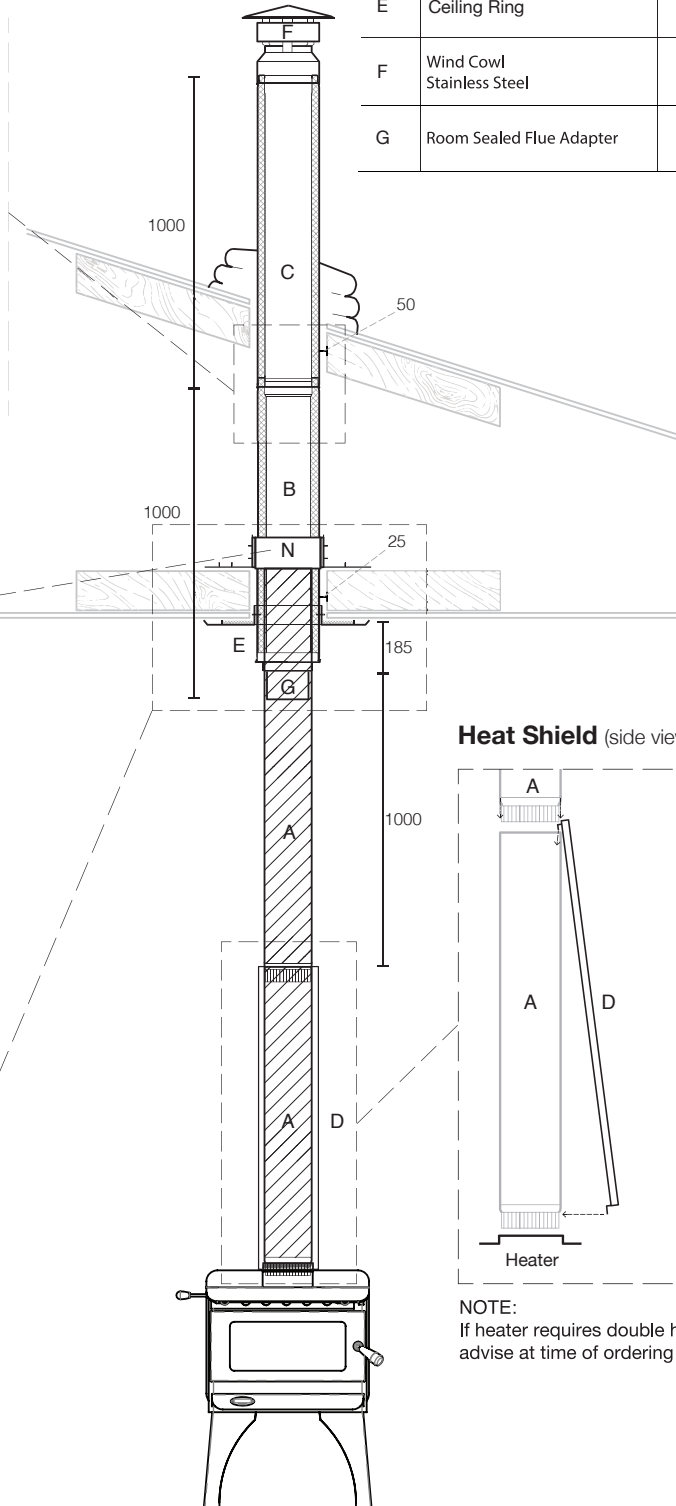
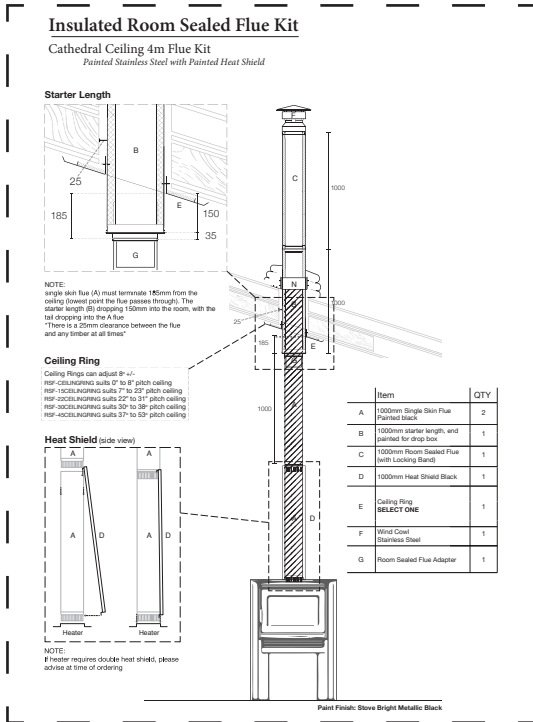
Painted Stainless Steel with Painted Heat Shield



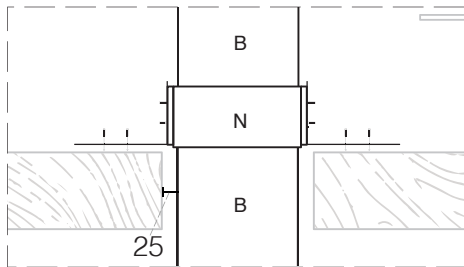
Download this page

## Standard Flue Kit

Item	QTY
A 1000mm Single skin flue Painted black	2
B 1000mm starter length, end painted for drop box	1
C 1000mm Room Sealed Flue (with Locking Band)	1
D 1000mm Heat Shield Black	1
E Ceiling Ring	1
F Wind Cowl Stainless Steel	1
G Room Sealed Flue Adapter	1

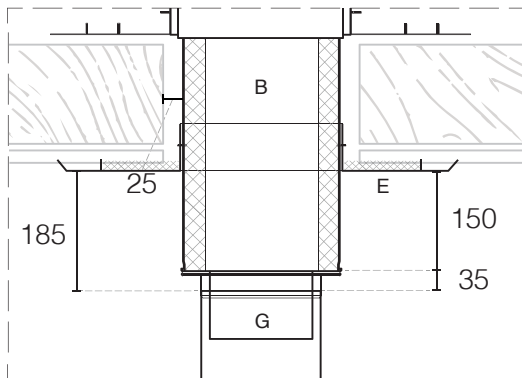


## Optional Support Brace



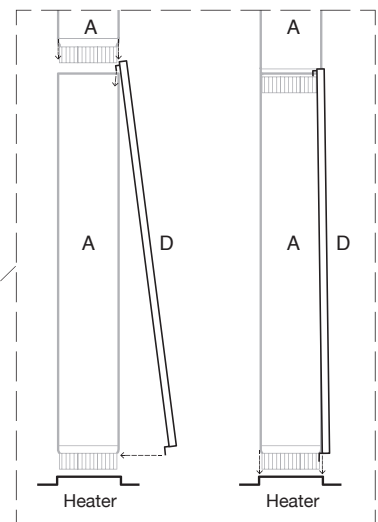
**NOTE:**  
The optional support brace (N) has the ability to adjust to any angle of adjacent roof beams  
\*There is a 25mm clearance between the flue and any timber at all times\*

## Starter Length



**NOTE:**  
single skin flue (A) must terminate 185mm from the ceiling. The starter length (B) dropping 150mm into the room, with the tail dropping into the A flue  
\*There is a 25mm clearance between the flue and any timber at all times\*

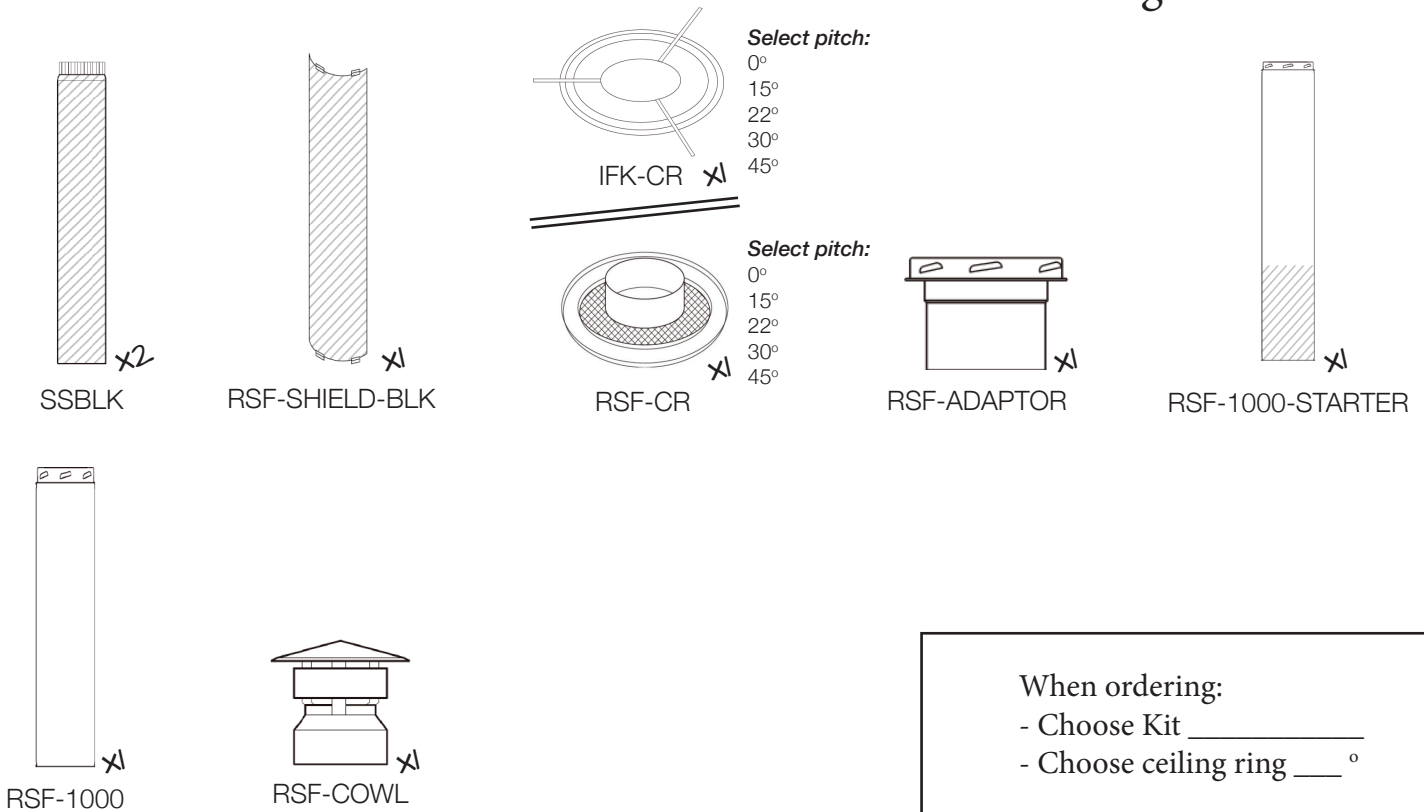
## Heat Shield (side view)



**NOTE:**  
If heater requires double heat shield, please advise at time of ordering

# Insulated Room Sealed Flue Kit

## Standard Ceiling 4m Flue Kit



Description	Part Number	RRP inc GST
6" Standard Insulated Flue Kit - No Heat Shield	IFK6 FKSTANDARD-NHS	\$960.00
6" Standard Room Sealed Flue Kit - No Heat Shield	RSF6 FKSTANDARD-NHS	\$1,045.00
6" Standard Insulated Flue Kit - Heat Shield	IFK6 FKSTANDARD	\$1,095.00
6" Standard Room Sealed Flue Kit - Heat Shield	RSF6 FKSTANDARD	\$1,180.00
8" Standard Insulated Flue Kit	IFK8 FKSTANDARD	\$1,200.00
8" Standard Room Sealed Flue Kit	RSF8 FKSTANDARD	\$1,335.00

SUITS CLYDESDALE

Note: Pricing includes ceiling ring

IFK suits existing homes  
RSF suits new homes



RSF6:  
Swagman  
Pioneer  
Convecter  
Countryman  
Rhapsody  
Innovator  
Jumbo Innovator  
RSF8:  
Clydesdale

# Insulated Room Sealed Flue Kit

## Fully Sealed 4m Flue Kit

Painted Insulated RSF from the heater  
Stainless Steel RSF outside the home



Download this page

### Insulated Room Sealed Flue Kit

#### Cathedral Ceiling 4m Flue Kit

Painted Stainless Steel with Painted Heat Shield

**Starter Length**

**NOTE:** Single skin flue (A) must terminate 150mm from the ceiling (lowest point the flue passes through). The starter length (B) dropping 100mm into the room, with the tail drooping into the A flue. \*There is a 25mm clearance between the flue and any timber at all times\*

**Ceiling Ring**

Ceiling Rings can adjust to:   
RSF - CEILING suits 0° to 8° pitch ceiling   
RSF - CEILING suits 7° to 22° pitch ceiling   
RSF - CEILING suits 22° to 31° pitch ceiling   
RSF - CEILING suits 32° to 38° pitch ceiling   
RSF - CEILING suits 37° to 53° pitch ceiling

**Heat Shield (side view)**

**NOTE:** If heater requires double heat shield, please advise at time of ordering

Item	Qty
A	2
B	1
C	1
D	1
E	1
F	1
G	1

Paint Finish: Stove Bright Metallic Black

### Flue Assembly

**NOTE:** To assemble flue, first lock into place, second secure locking band around joint

### Ceiling Ring

**NOTE:** \*There is a 25mm clearance between the flue and any timber at all times\*

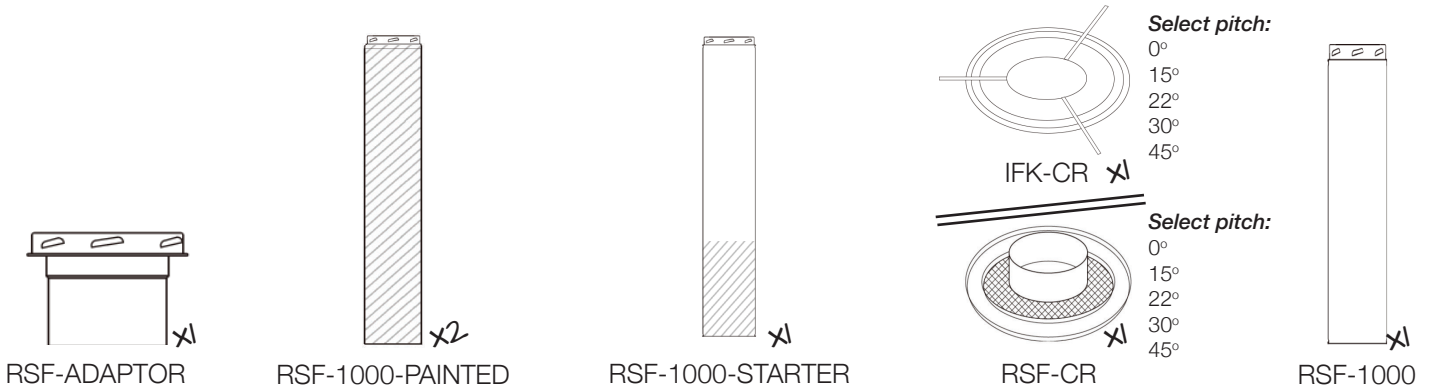
## Fully Sealed Flue Kit

Item	Qty
O	2
B	1
C	1
E	1
F	1
G	1



**MOST POPULAR**

**Insulated Room Sealed Flue Kit  
Fully Sealed 4m Flue Kit**



When ordering:  
 - Choose Kit \_\_\_\_\_  
 - Choose ceiling ring \_\_\_\_ °

Description	Part Number	RRP inc GST	
6" Fully Insulated Flue Kit	IFK6 FKFULLYINSULATED	\$1,060.00	RSF6
6" Fully Insulated Flue Kit - Full Black	IFK6 FKFULLYINSULATEDBLK	\$1,160.00	
6" Fully Room Sealed Flue Kit	RSF6 FKFULLYINSULATED	\$1,195.00	RSF8
6" Fully Room Sealed Flue Kit - Full Black	RSF6 FKFULLYINSULATEDBLK	\$1,245.00	
8" Fully Insulated Flue Kit	IFK8 FKFULLYINSULATED	\$1,340.00	RSF8
8" Fully Room Sealed Flue Kit	RSF8 FKFULLYINSULATED	\$1,475.00	
8" Fully Room Sealed Flue Kit - Full Black	RSF8 FKFULLYINSULATEDBLK	\$1,515.00	

Note: Pricing includes ceiling ring

IFK suits existing homes  
 RSF suits new homes



- RSF6:  
 Swagman  
 Pioneer  
 Convector  
 Countryman  
 Rhapsody  
 Innovator  
 Jumbo Innovator
- RSF8:  
 Clydesdale

# Insulated Room Sealed Flue Kit

## 2 Story Fully Sealed Floor Penetration Kit

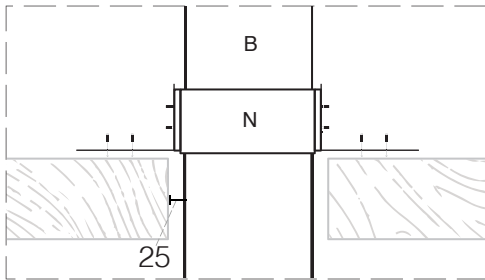
First Floor Painted Insulated RSF

Second Floor Stainless Insulated RSF



Download this page

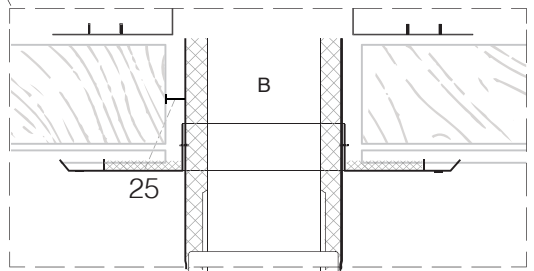
### Optional Support Brace



**NOTE:**

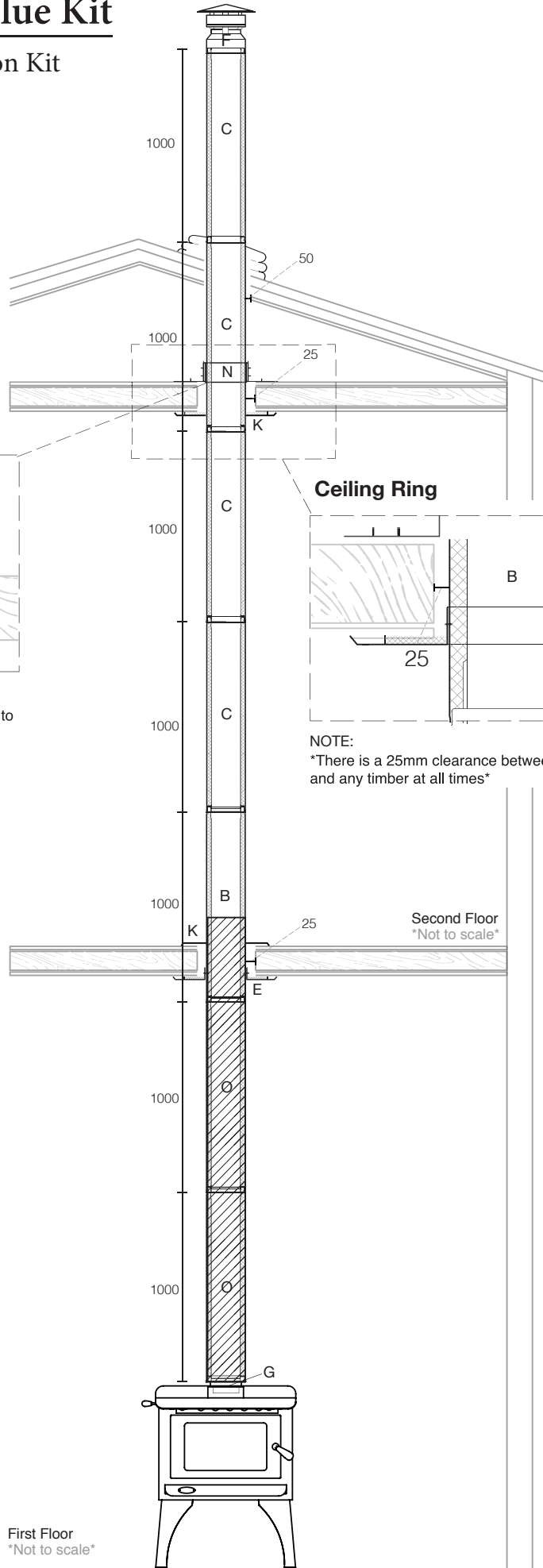
The optional support brace (N) has the ability to adjust to any angle of adjacent roof beams  
 \*There is a 25mm clearance between the flue and any timber at all times\*

### Ceiling Ring



**NOTE:**

\*There is a 25mm clearance between the flue and any timber at all times\*



First Floor  
 \*Not to scale\*

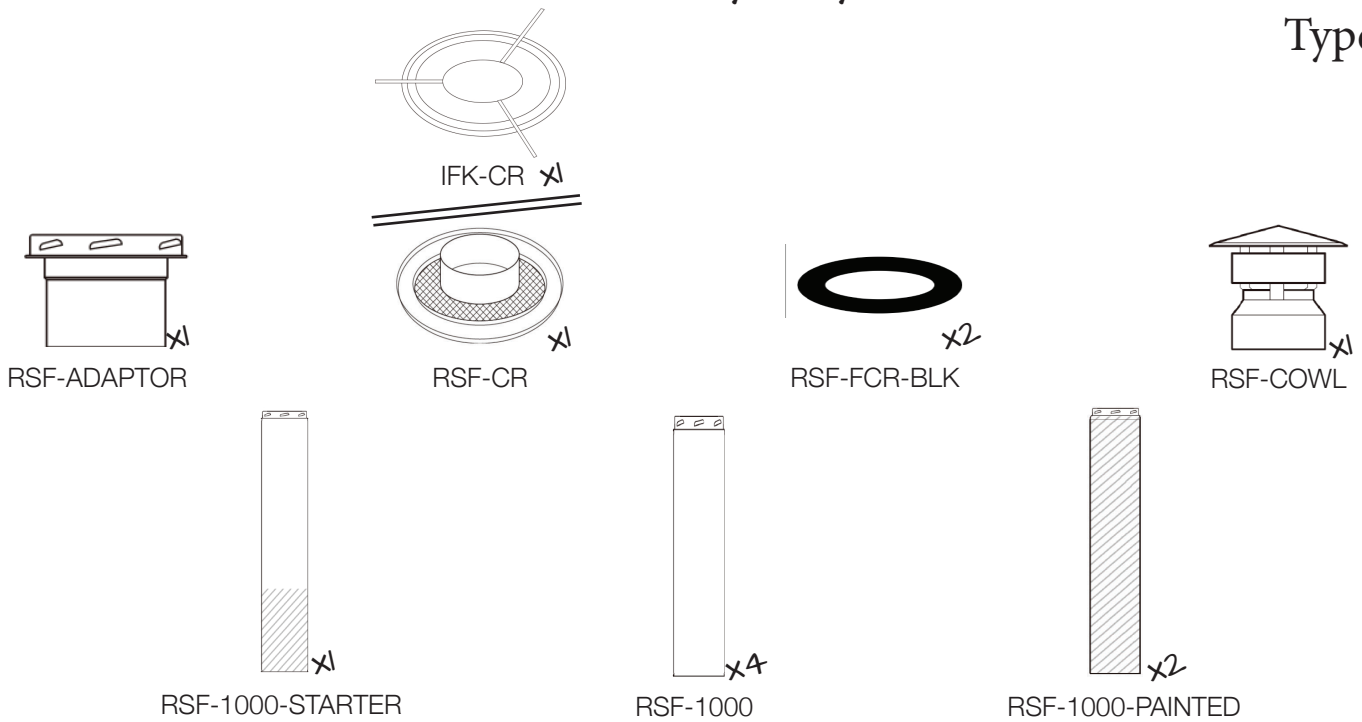
Second Floor  
 \*Not to scale\*

Paint Finish: Stove Bright Metallic Black

### Fully Sealed Flue Kit

Item	QTY
O 1000mm RSF, painted black (with Locking Band)	2
B 1000mm starter length, end painted for drop box	1
C 1000mm Room Sealed Flue (with Locking Band)	4
E RSF Ceiling Ring	1
K Floor Ceiling Ring, Painted	2
F Wind Cowl Stainless Steel	1
G Room Sealed Flue Adapter	1

# Insulated Room Sealed Flue Kit 2 Story Fully Sealed Floor Penetration Kit Type 3



Description	Part Number	RRP inc GST
6" 2 Story Floor Pen Insulated Flue Kit: Type 3	IFK6 FK2STORYT3	\$1,890.00
6" 2 Story Floor Pen Room Sealed Flue Kit: Type 3	RSF6 FK2STORYT3	\$1,975.00
8" 2 Story Floor Pen Insulated Flue Kit: Type 3	IFK8 FK2STORYT3	\$2,230.00
8" 2 Story Floor Pen Room Sealed Flue Kit: Type 3	RSF8 FK2STORYT3	\$2,365.00

SUITS CLYDESDALE

Note: Pricing includes ceiling ring

IFK suits existing homes  
RSF suits new homes



RSF6:  
Swagman  
Pioneer  
Convactor  
Countryman  
Rhapsody  
Innovator  
Jumbo Innovator  
RSF8:  
Clydesdale

# Insulated Room Sealed Flue Kit

## 2 Story Fully Sealed Painted Floor Penetration Kit

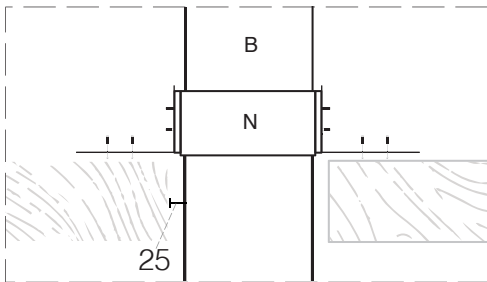
First Floor Painted Insulated RSF

Second Floor Painted Insulated RSF



Download this page

### Optional Support Brace

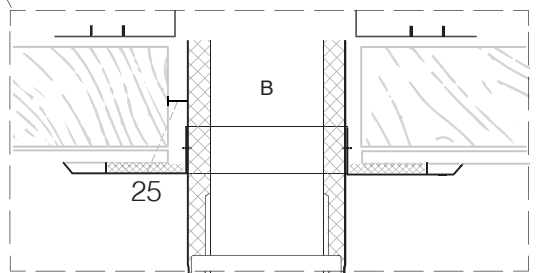


**NOTE:**

The optional support brace (N) has the ability to adjust to any angle of adjacent roof beams

\*There is a 25mm clearance between the flue and any timber at all times\*

### Ceiling Ring

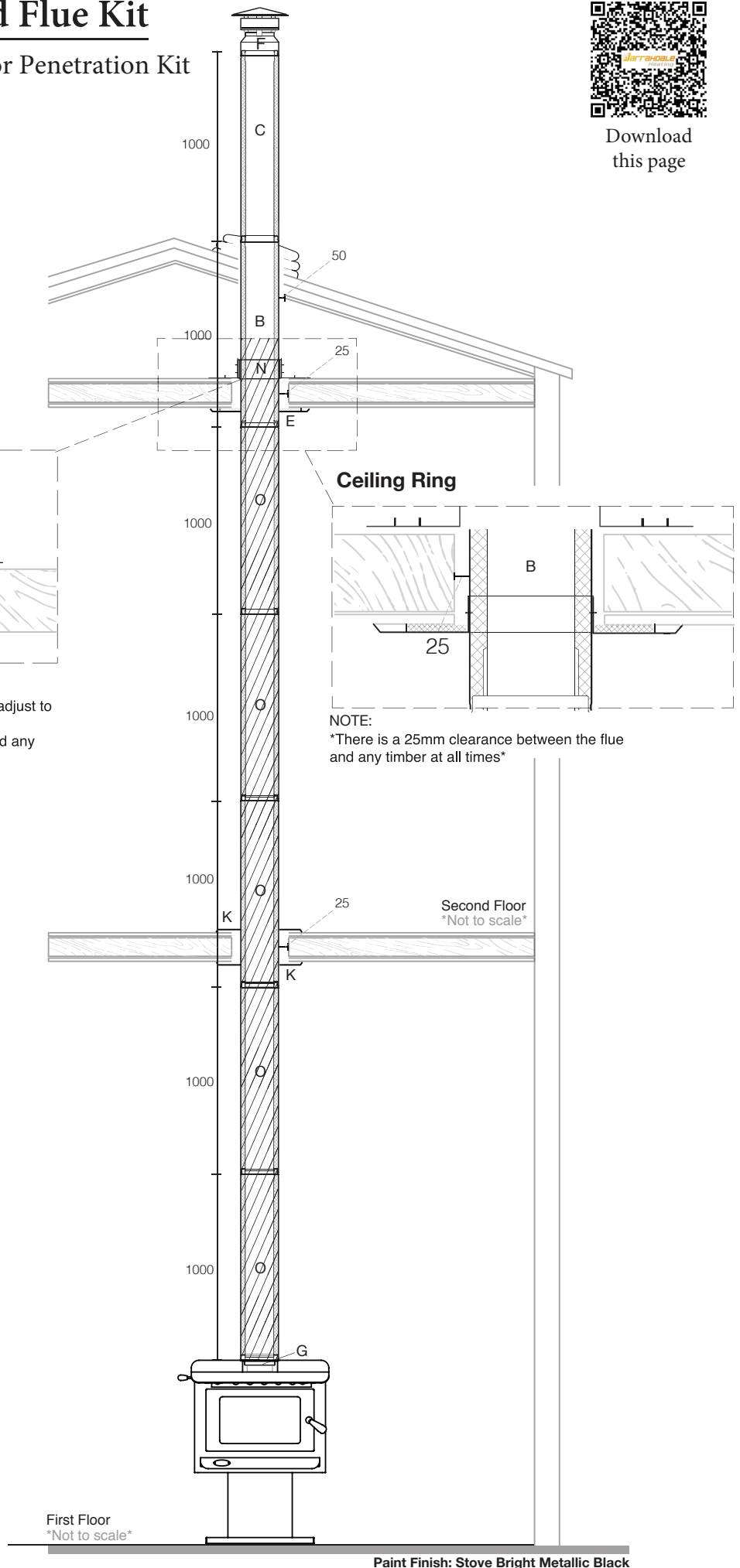


**NOTE:**

\*There is a 25mm clearance between the flue and any timber at all times\*

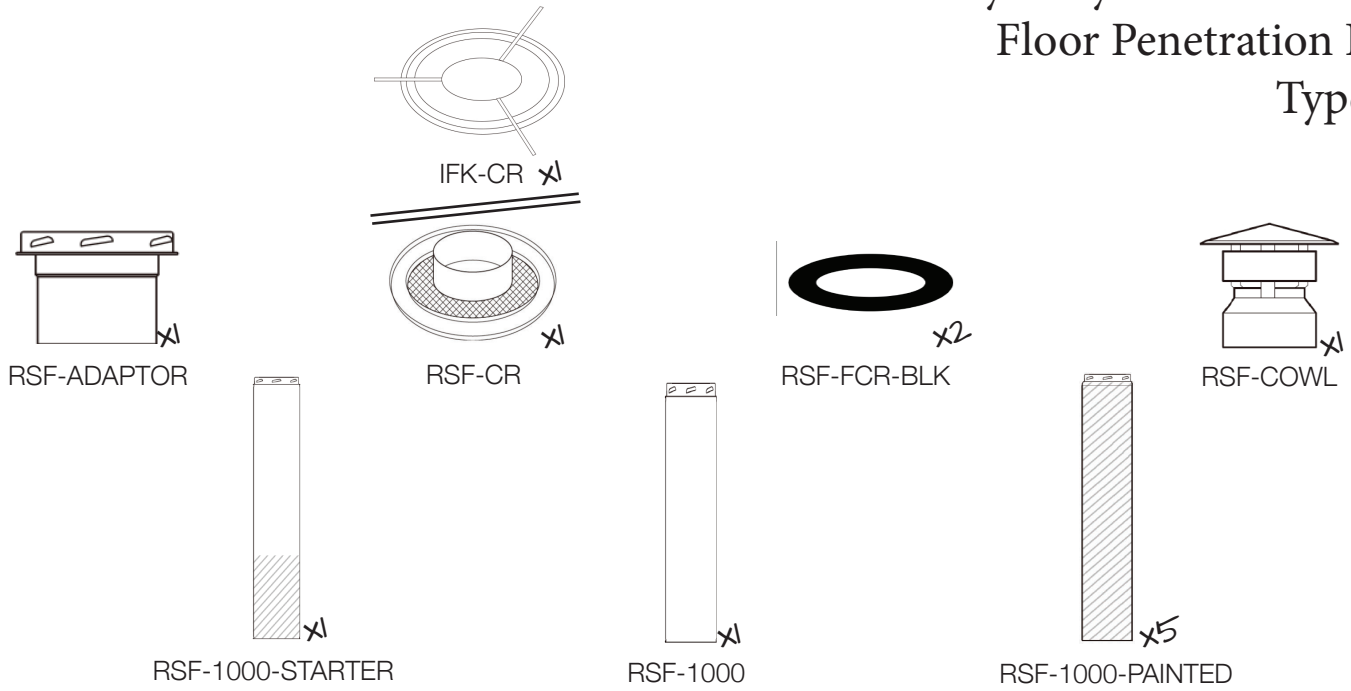
### Fully Sealed Painted Flue Kit

Item	Item	QTY
O	1000mm RSF, painted black (with Locking Band)	5
B	1000mm starter length, end painted for drop box	1
C	1000mm Room Sealed Flue (with Locking Band)	1
E	RSF Ceiling Ring	1
K	Floor Ceiling Ring, Painted	2
F	Wind Cowl Stainless Steel	1
G	Room Sealed Flue Adapter	1



# Insulated Room Sealed Flue Kit

## 2 Story Fully Sealed Painted Floor Penetration Kit Type 4



Description	Part Number	RRP inc GST
6" 2 Story Floor Pen Insulated Flue Kit: Type4	IFK6 FK2STORYT4	\$1,950.00
6" 2 Story Floor Pen Room Sealed Flue Kit: Type4	RSF6 FK2STORYT4	\$2,035.00
8" 2 Story Floor Pen Insulated Flue Kit: Type 4	IFK8 FK2STORYT4	\$2,290.00
8" 2 Story Floor Pen Room Sealed Flue Kit: Type 4	RSF8 FK2STORYT4	\$2,425.00

SUITS CLYDESDALE

Note: Pricing includes ceiling ring



RSF6:

Swagman

Pioneer

Convactor

Countryman

Rhapsody

Innovator

Jumbo Innovator

RSF8:

Clydesdale

IFK suits existing homes

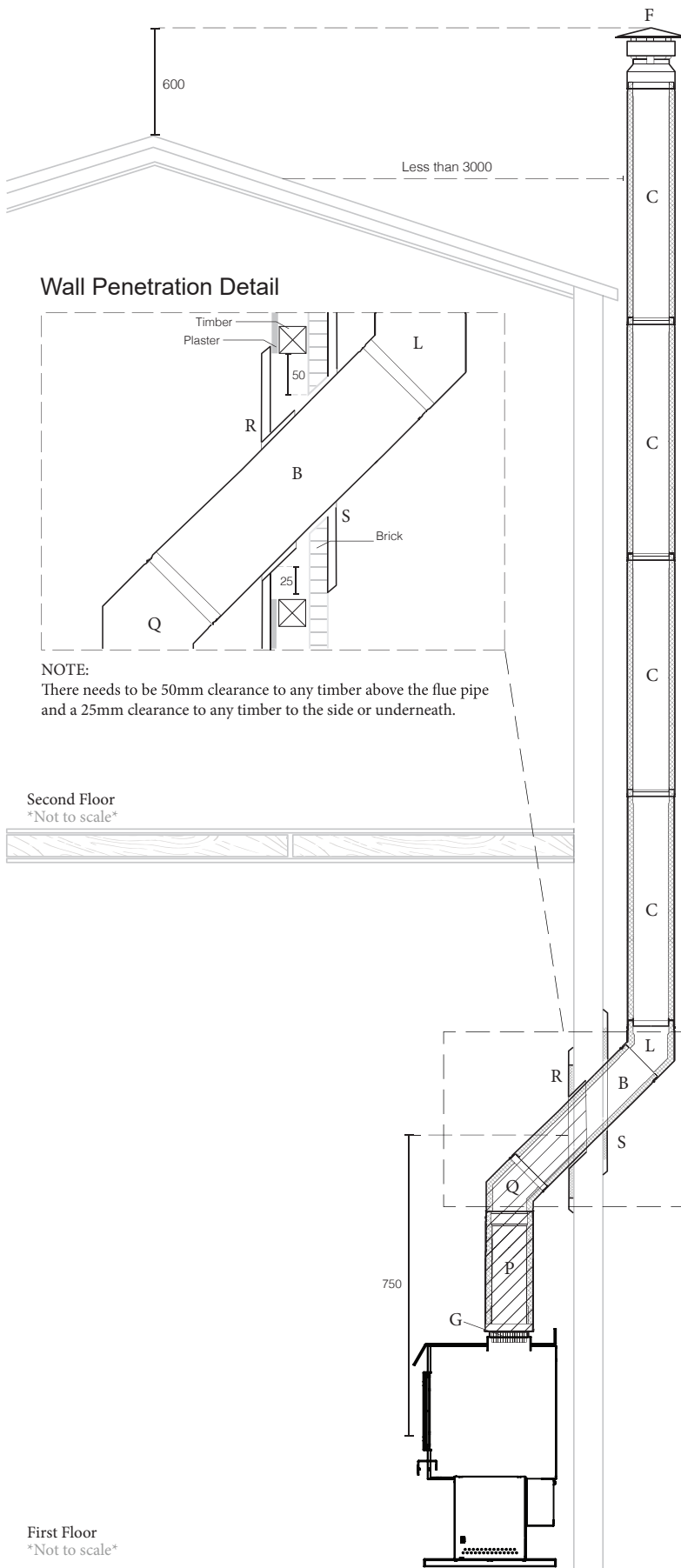
RSF suits new homes

# Insulated Room Sealed Flue Kit

## 2 Story Wall Penetration Kit



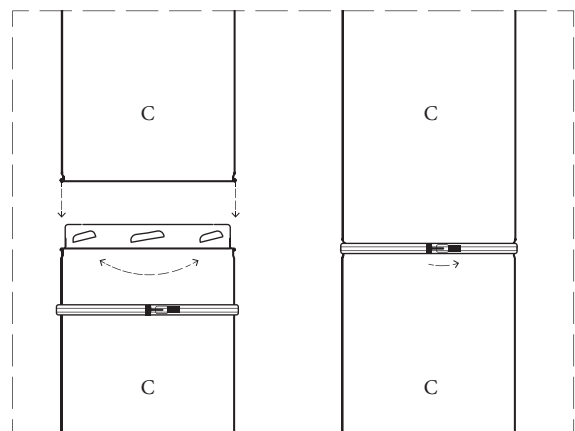
Download this page



## 2 Story Wall Penetration Kit

	Item	QTY
G	Room Sealed Flue Adapter Single to twin 150mm - 200mm	1
P	500mm painted length	1
B	1000mm starter length, end painted for drop box	1
C	1000mm Room Sealed Flue (with Locking Band)	4
L	45 Degree Bend with Locking Band	1
Q	45 Degree Bend Painted with Locking Band	1
R	45 Degree Wall Plate painted	1
S	45 Degree Wall Plate Gal	1
F	Wind Cowl Stainless Steel	1

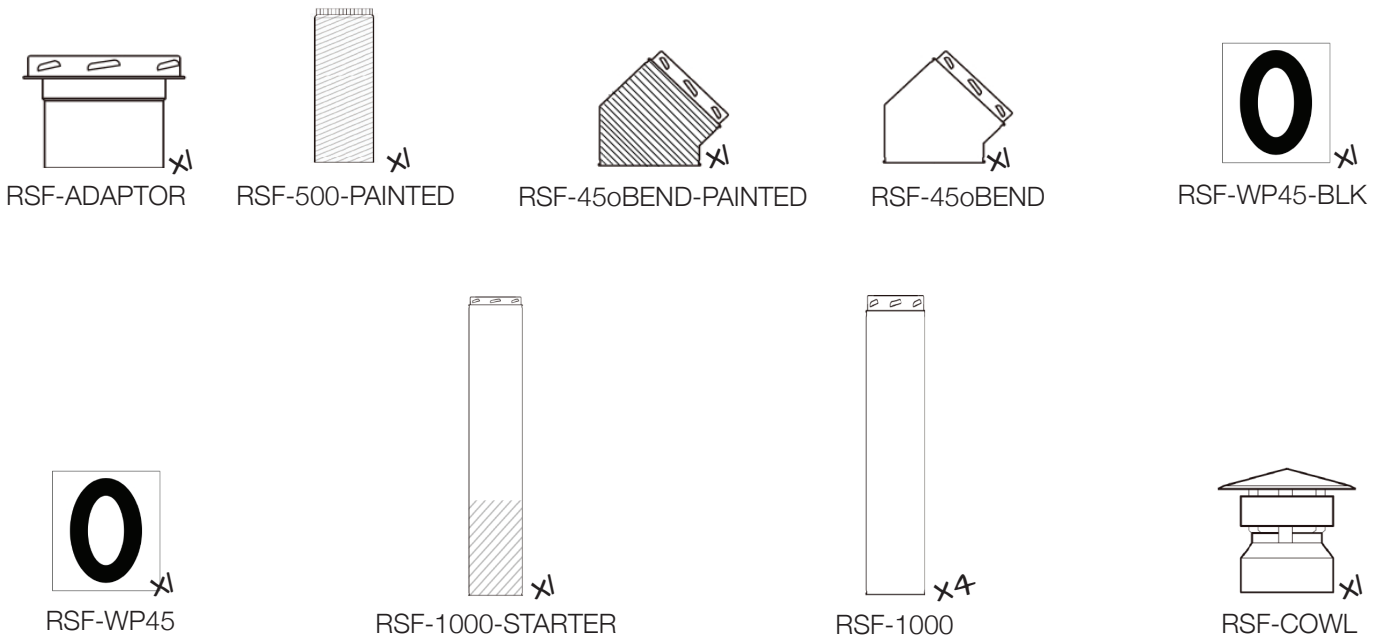
## Flue Assembly



NOTE:  
To assemble flue, first lock into place, second secure locking band around joint

# Insulated Flue Kit

## 2 Story Wall Penetration Kit



Description	Part Number	RRP inc GST
6" 2 Story Wall Pen Flue Kit	IFK6 FKWALLPEN	\$1,793.00
8" 2 Story Wall Pen Flue Kit SUITS CLYDESDALE	IFK8 FKWALLPEN	\$2,183.00

### Optional

Adjustable Wall Brace	RSF6-WB	\$99.00
	RSF8-WB	\$99.00

IFK suits existing homes  
RSF suits new homes

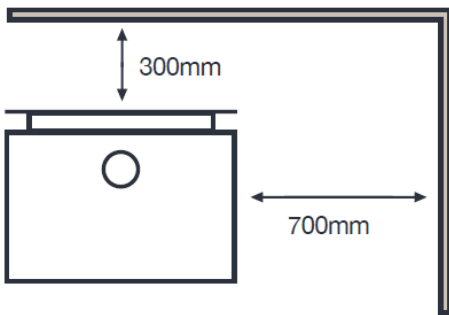


RSF6:  
Swagman  
Pioneer  
Convactor  
Countryman  
Rhapsody  
Innovator  
Jumbo Innovator

RSF8:  
Clydesdale



Download these pages



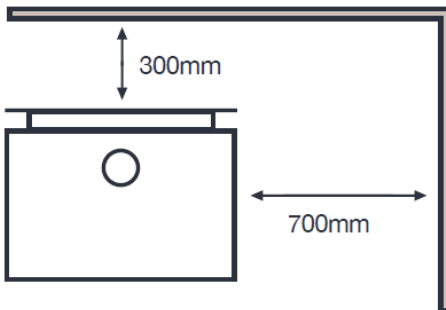
## Swagman

Heating Capacity 148m<sup>2</sup>  
Efficiency 61%  
Emissions 1.0g



### CHOOSE FLUE KIT:

- Standard Ceiling 4m Flue Kit Page 6
- Fully Sealed 4m Flue Kit Page 8
- 2 Storey Fully Sealed Floor Pen Flue Kit Page 10
- 2 Storey Floor Penetration Flue Kit Page 12
- 2 Storey Wall Penetration Flue Kit Page 14



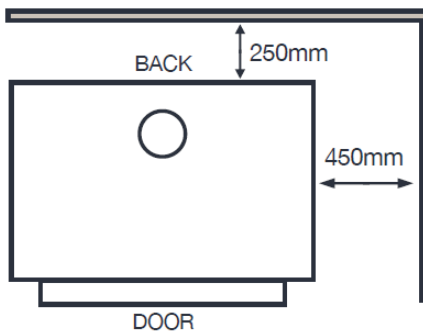
## Pioneer

Heating Capacity 232m<sup>2</sup>  
Efficiency 60%  
Emissions 0.6g



### CHOOSE FLUE KIT:

- Standard Ceiling 4m Flue Kit Page 6
- Fully Sealed 4m Flue Kit Page 8
- 2 Storey Fully Sealed Floor Pen Flue Kit Page 10
- 2 Storey Floor Penetration Flue Kit Page 12
- 2 Storey Wall Penetration Flue Kit Page 14



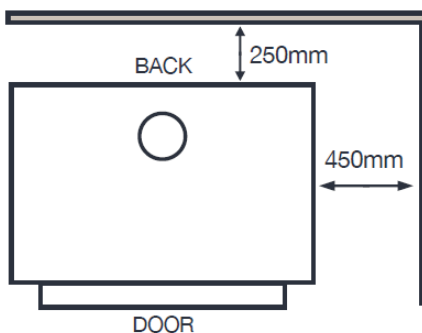
## Innovator

Heating Capacity 232m<sup>2</sup>  
Efficiency 61%  
Emissions 1.0g



### CHOOSE FLUE KIT:

- Standard Ceiling 4m Flue Kit Page 6
- Fully Sealed 4m Flue Kit Page 8
- 2 Storey Fully Sealed Floor Pen Flue Kit Page 10
- 2 Storey Floor Penetration Flue Kit Page 12
- 2 Storey Wall Penetration Flue Kit Page 14



## Jumbo Innovator

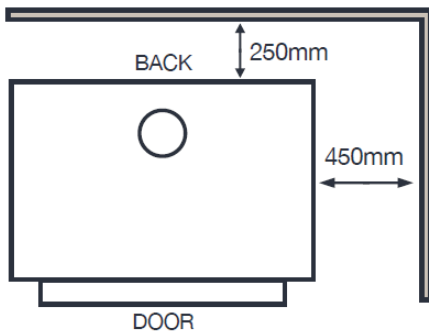
Heating Capacity 280m<sup>2</sup>  
Efficiency 68%  
Emissions 1.4g



### CHOOSE FLUE KIT:

- Standard Ceiling 4m Flue Kit Page 6
- Fully Sealed 4m Flue Kit Page 8
- 2 Storey Fully Sealed Floor Pen Flue Kit Page 10
- 2 Storey Floor Penetration Flue Kit Page 12
- 2 Storey Wall Penetration Flue Kit Page 14



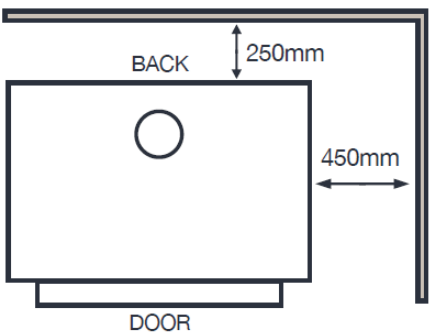


## Rhapsody

Heating Capacity 185m<sup>2</sup>  
 Efficiency 61%  
 Emissions 1.5g

### CHOOSE FLUE KIT:

Standard Ceiling 4m Flue Kit Page 6  
 Fully Sealed 4m Flue Kit Page 8  
 2 Storey Fully Sealed Floor Pen Flue Kit Page 10  
 2 Storey Floor Penetration Flue Kit Page 12  
 2 Storey Wall Penetration Flue Kit Page 14

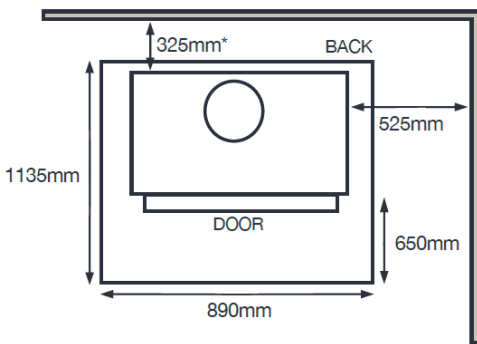


## Convector

Heating Capacity 232m<sup>2</sup>  
 Efficiency 60%  
 Emissions 0.6g

### CHOOSE FLUE KIT:

Standard Ceiling 4m Flue Kit Page 6  
 Fully Sealed 4m Flue Kit Page 8  
 2 Storey Fully Sealed Floor Pen Flue Kit Page 10  
 2 Storey Floor Penetration Flue Kit Page 12  
 2 Storey Wall Penetration Flue Kit Page 14

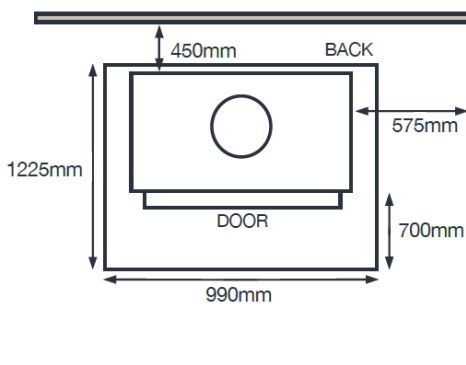


## Countryman

Heating Capacity 300m<sup>2</sup>  
 Efficiency 62%  
 Emissions 1.2g

### CHOOSE FLUE KIT:

Standard Ceiling 4m Flue Kit Page 6  
 Fully Sealed 4m Flue Kit Page 8  
 2 Storey Fully Sealed Floor Pen Flue Kit Page 10  
 2 Storey Floor Penetration Flue Kit Page 12  
 2 Storey Wall Penetration Flue Kit Page 14



## Clydesdale

Heating Capacity 350m<sup>2</sup>  
 Efficiency 61%  
 Emissions 1.0g

### CHOOSE FLUE KIT:

Standard Ceiling 4m Flue Kit Page 6  
 Fully Sealed 4m Flue Kit Page 8  
 2 Storey Fully Sealed Floor Pen Flue Kit Page 10  
 2 Storey Floor Penetration Flue Kit Page 12  
 2 Storey Wall Penetration Flue Kit Page 14







**Insulated Flue Parts List**
**6", 7", 8", 9", 10"**

Individual Item Description	Part Number	RRP inc GST
5" 1,000mm Single Skin, S/S - Black (not insulated)	SS5BLK	\$120.00
6" 1,000mm Single Skin, S/S - Black (not insulated)	SS6BLK	\$140.00
7" 1,000mm Single Skin, S/S - Black (not insulated)	SS7BLK	\$150.00
8" 1,000mm Single Skin, S/S - Black (not insulated)	SS8BLK	\$190.00
10" 1,000mm Single Skin, S/S - Black (not insulated)	SS10BLK	\$240.00
RSF 1,000mm Insulated Straight Pipe, S/S	RSF6-1000	\$200.00
	RSF8-1000	\$240.00
	RSF10-1000	\$300.00
RSF 1,000mm Insulated Straight Pipe, Black	RSF6-1000-BLK	\$220.00
	RSF8-1000-BLK	\$260.00
	RSF10-1000-BLK	\$380.00
RSF 1,000mm Insulated Drop Box, Partly Painted	RSF6-1000-STARTER	\$220.00
	RSF8-1000-STARTER	\$260.00
	RSF10-1000-STARTER	\$380.00
RSF 100mm Insulated Straight Pipe	RSF6-100	\$80.00
	RSF8-100	\$90.00
	RSF10-100	\$140.00
RSF 100mm Insulated Straight Pipe, Fully Painted	RSF6-100-BLK	\$90.00
	RSF8-100-BLK	\$110.00
	RSF10-100-BLK	\$180.00
RSF 500mm Insulated Straight Pipe	RSF6-500	\$125.00
	RSF8-500	\$165.00
	RSF10-500	\$220.00
RSF 500mm Insulated Straight Pipe, Black	RSF6-500-BLK	\$145.00
	RSF8-500-BLK	\$185.00
	RSF10-500-BLK	\$240.00
RSF 340mm-500mm Insulated Adjustable Pipe	RSF6-ADJUST	\$165.00
	RSF8-ADJUST	\$205.00
	RSF10-ADJUST	\$260.00
RSF 340mm-500mm Insulated Adjustable Pipe, Black	RSF6-ADJUST-BLK	\$185.00
	RSF8-ADJUST-BLK	\$245.00
RSF Insulated 90° Tee with Cap	RSF6-TEE	\$260.00
	RSF8-TEE	\$450.00
RSF Insulated 45° Bend	RSF6-45oBEND	\$129.00
	RSF8-45oBEND	\$169.00
	RSF10-45oBEND	\$240.00
RSF Insulated 45° Bend, Painted	RSF6-45oBEND-BLK	\$149.00
	RSF8-45oBEND-BLK	\$189.00
	RSF10-45oBEND-BLK	\$280.00
1,000mm Painted Heat Shield	RSF6-SHIELDBLK	\$135.00
1,000mm Painted Double Heat Shield	RSF8-SHIELDBLK	\$165.00
	RSF6-SHIELDDBLCLK	\$190.00

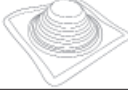
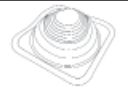
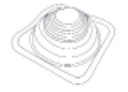
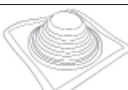
Individual Item Description		Part Number	RRP inc GST
6" RSF Insulated Ceiling Ring		RSF6-CR	\$175.00
15°		RSF6-CR15	\$175.00
22°		RSF6-CR22	\$175.00
30°		RSF6-CR30	\$175.00
45°		RSF6-CR45	\$175.00
6" IFK Ceiling Ring			IFK6-CR
15°		IFK6-CR15	\$90.00
22°		IFK6-CR22	\$90.00
30°		IFK6-CR30	\$90.00
45°		IFK6-CR45	\$90.00
8" RSF Insulated Ceiling Ring			RSF8-CR
15°		RSF8-CR15	\$225.00
22°		RSF8-CR22	\$225.00
30°		RSF8-CR30	\$225.00
8" IFK Ceiling Ring			IFK8-CR
15°		IFK8-CR15	\$120.00
22°		IFK8-CR22	\$120.00
30°		IFK8-CR30	\$120.00
45°		IFK8-CR45	\$120.00
10" RSF Insulated Ceiling Ring			RSF10-CR
15°		RSF10-CR15	\$325.00
22°		RSF10-CR22	\$325.00
30°		RSF10-CR30	\$325.00
10" IFK Ceiling Ring			IFK10-CR
15°		IFK10-CR15	\$120.00
22°		IFK10-CR22	\$120.00
30°		IFK10-CR30	\$120.00
45°		IFK10-CR45	\$120.00
6" RSF End Cap			RSF6-CAP
RSF Floor / Ceiling Uninsulated Ring, Black		RSF6-FCR-BLK	\$90.00
		RSF8-FCR-BLK	\$90.00
RSF Wall Plate		RSF6-WP	\$80.00
		RSF8-WP	\$80.00
		RSF10-WP	\$140.00
RSF Wall Plate, Black		RSF6-WP-BLK	\$90.00
		RSF8-WP-BLK	\$90.00
		RSF10-WP-BLK	\$150.00
RSF 45° Wall Plate		RSF6-WP45	\$80.00
		RSF8-WP45	\$80.00
		RSF10-WP45	\$140.00
RSF 45° Wall Plate, Black		RSF6-WP45-BLK	\$90.00
		RSF8-WP45-BLK	\$90.00
		RSF10-WP45-BLK	\$150.00

**Insulated Flue Parts List (Cont.)**
**6", 7", 8", 9", 10"**

Individual Item Description		Part Number	RRP inc GST
6" Locking Band		RSF6-LB	\$20.00
8" Locking Band		RSF8-LB	\$20.00
10" Locking Band		RSF10-LB	\$20.00
6" Locking Band High Wind		RSF6-LBHW	\$30.00
8" Locking Band High Wind		RSF8-LBHW	\$30.00
10" Locking Band High Wind		RSF10-LBHW	\$30.00
5" RSF Adaptor (Connects standard 5" to 6" RSF)		RSF6-5ADAPTOR	\$45.00
6" RSF Adaptor (Connects standard 6" to 6" RSF)		RSF6-6ADAPTOR	\$45.00
7" RSF Adaptor (Connects standard 7" to 6" RSF)		RSF6-7ADAPTOR	\$45.00
8" RSF Adaptor (Connects standard 8" to 8" RSF)		RSF8-8ADAPTOR	\$65.00
9" RSF Adaptor (Connects standard 9" to 8" RSF)		RSF8-9ADAPTOR	\$75.00
9" RSF Adaptor (Connects standard 9" to 10" RSF)		RSF10-9ADAPTOR	\$110.00
10" RSF Adaptor (Connects standard 10" to 10" RSF)		RSF10-10ADAPTOR	\$90.00
RSF Insulated Cowl		RSF6-COWL	\$125.00
		RSF8-COWL	\$165.00
		RSF10-COWL	\$220.00
RSF Insulated Cowl, Black		RSF6-COWL-BLK	\$145.00
		RSF8-COWL-BLK	\$185.00
		RSF10-COWL-BLK	\$240.00


## Flashing

**METAL Roof Flashing**

	BAL	Description	Code		RRP inc GST		
					Single	Box of 10	
RSF6	0 - 30°	BAL 12.5	RSF Flash-No7-BAL12.5	FLASH MR7		\$69.00	\$660.00
		BAL 29	RSF Flash-No7-BAL29	FLASH MR7B		\$190.00	
	30° - 45°	BAL 12.5	RSF Flash-No8-BAL12.5	FLASH MR8		\$79.00	\$750.00
		BAL 29	RSF Flash-No8-BAL29	FLASH MR8B		\$220.00	
RSF8 & RSF10	0 - 30°	BAL 12.5	RSF Flash-No8-BAL12.5	FLASH MR8		\$79.00	\$750.00
		BAL 29	RSF Flash-No8-BAL29	FLASH MR8B		\$220.00	
	30° - 45°	BAL 12.5	RSF Flash-No9-BAL12.5	FLASH MR9		\$140.00	\$1,340.00
		BAL 29	RSF Flash-No9-BAL29	FLASH MR9B		\$290.00	

BAL40 Flashing POA

**TILE Roof Flashing**

	BAL	Description	Code		RRP inc GST	
					Single	Box of 2
RSF6 & RSF8	BAL 12.5	RSF Flash-Tile5	FLASHTR5		\$190.00	\$280.00
	BAL 29	RSF Flash-Tile5-BAL29	FLASHTR5B		\$520.00	

BAL40 Flashing POA

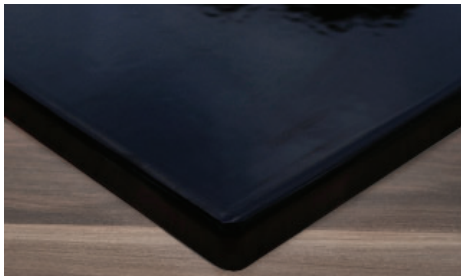
**CANVAS Flashing**

Designed for Yurts / Tents / Canvas roofs

	Description	Code	RRP inc GST
RSF6	RSF Sticky back flashing for canvas	FLASHCAN	\$390.00

# Enhance your Jarrahdale Fire with VLAZE

AVAILABLE IN 3 FINISHES



Black



Crackle



Splatter

## VLAZE Hearths

2 SIZES AVAILABLE

1,050 x 1,050 Hearth BLACK	\$950.00
1,050 x 1,050 Hearth SPLATTER	\$1,190.00
1,050 x 1,050 Hearth CRACKLE	\$1,190.00
1,200 x 1,200 Hearth BLACK	\$1,190.00
1,200 x 1,200 Hearth SPLATTER	\$1,390.00
1,200 x 1,200 Hearth CRACKLE	\$1,390.00

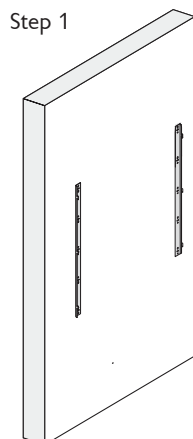
## VLAZE Heat Shields



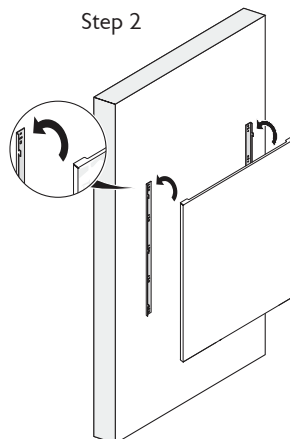
*Reduces the rear clearance of any wood heater by up to 80%*

1,200 x 1,050 Heat Shield BLACK	\$1,090.00
1,200 x 1,050 Heat Shield SPLATTER	\$1,390.00
1,200 x 1,050 Heat Shield CRACKLE	\$1,390.00

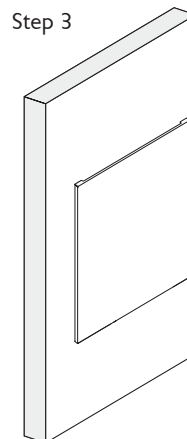
EASY TO INSTALL



Step 1



Step 2



Step 3

# Insulated Room Sealed Flue Kit

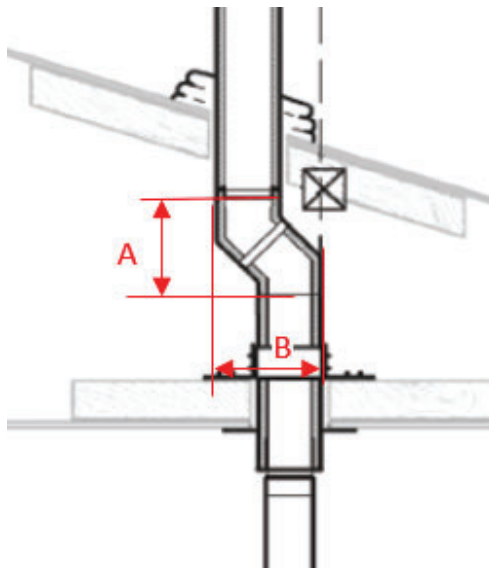
## Offset Bends



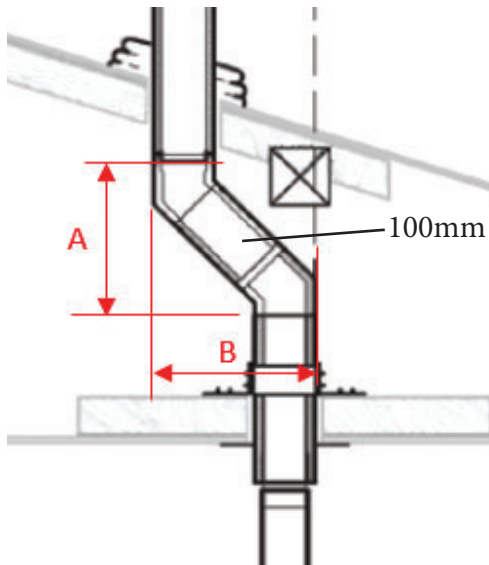
Easy to install



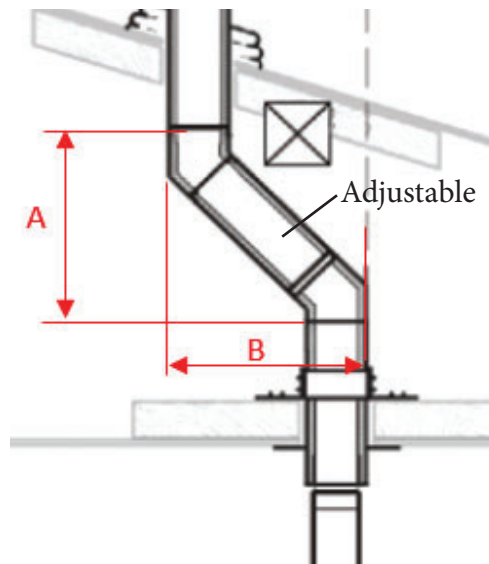
Download this page



		45 degree bend	
		A	B
RSFPPF	Ø80	251	234
RSF6	Ø150	318	332
RSF8	Ø200	354	397
RSF10	Ø250	390	461



		45 degree bend +100mm straight	
		A	B
RSFPPF	Ø80	321	304
RSF6	Ø150	389	402
RSF8	Ø200	425	468
RSF10	Ø250	461	532



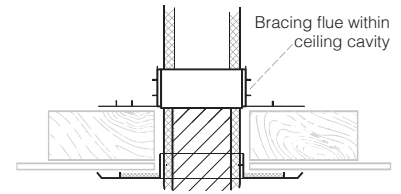
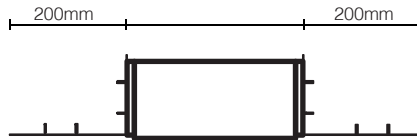
		45 degree bend + adjustable flue 340-500mm			
		<i>Contracted</i>		<i>Expanded</i>	
		A1	B1	A2	B2
RSFPPF	Ø80	514	497	640	623
RSF6	Ø150	581	595	707	721
RSF8	Ø200	617	660	743	786
RSF10	Ø250	623	724	779	850

# Insulated Room Sealed Flue Kit

## Bracing Options

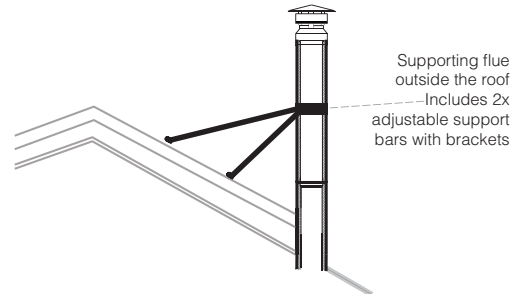
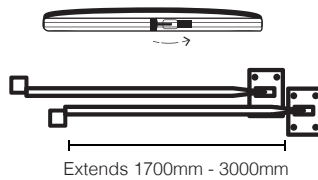
### Ceiling Support Brace RSF CS

Braces flue  
Inside your ceiling



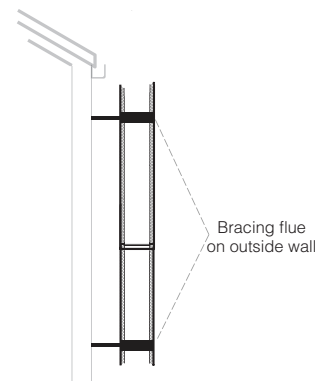
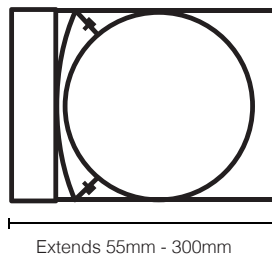
### Roof Bracing Kit RSF RB

Braces flue  
Outside on your roof



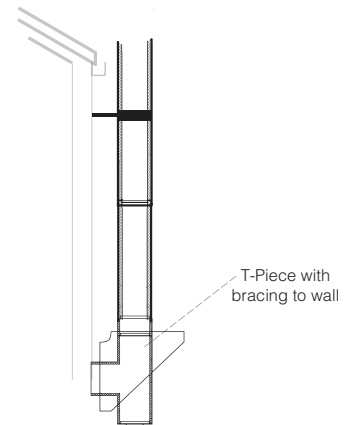
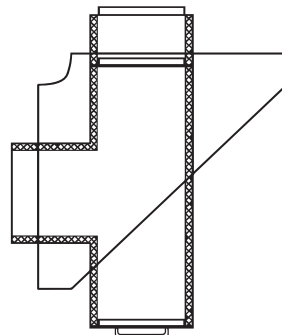
### Adjustable Wall Brace RSF WB

Braces flue  
Outside wall



### Tee Wall Bracket RSF TWB

T Brace  
Braces Tee to outside wall



RSF Bracing options

Individual Item Description	Part Number	RRP inc GST
Ceiling Support Brace	RSF6-CS	\$99.00
	RSF8-CS	\$99.00
	RSF10-CS	\$140.00
	RSFPPF-CS	\$99.00
Roof Bracing Kit <i>with arms</i>	RSF6-RB	\$99.00
	RSF8-RB	\$99.00
	RSF10-RB	\$140.00
	RSFPPF-RB	\$99.00
Adjustable Wall Brace	RSF6-WB	\$99.00
	RSF8-WB	\$99.00
	RSFPPF-WB	\$99.00
RSF Tee Bracket	RSF6-TWB	\$160.00
	RSFPPF-TWB	\$160.00



**jhc.com.au**

sales@jhc.com.au  
08 9493 6512



7 Year Limited Warranty on Flue  
1 Year Limited Warranty on Cowl  
Please see full Terms & Conditions