

# oblica

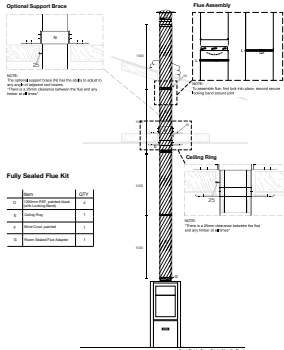
## Room Sealed & Insulated Flue Pricebook

June 23

### Insulated Room Sealed Flue Kit

Fully Sealed 4in Flue Kit

Insulated Room Sealed 4in Flue Kit from the Heater

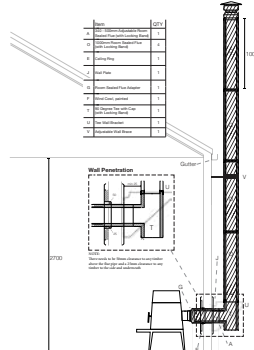


### Insulated Room Sealed Flue Kit

Roof Flue Kit

Painted Black, Insulated 4in Flue Kit from the Heater

Adjustable wall penetration

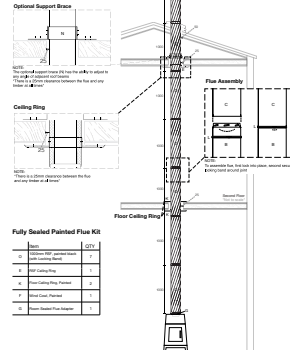


### Insulated Room Sealed Flue Kit

2 Story Fully Sealed Painted Floor Penetration Kit

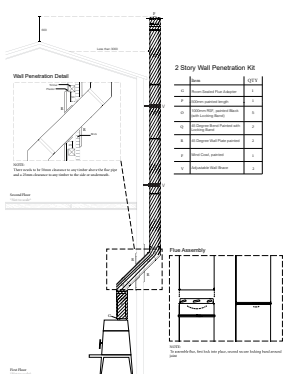
Painted Black, Insulated 4in Flue Kit from the Heater

Insulated Room Sealed 4in Flue Kit from the Heater



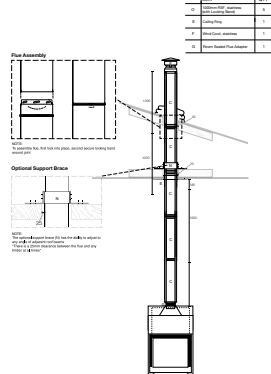
### Insulated Room Sealed Flue Kit

2 Story Wall Penetration Kit



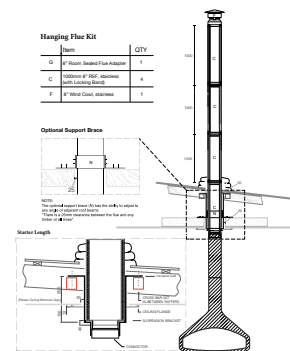
### Insulated Room Sealed Flue Kit

5in Flue Kit for STUV 21 Fireplaces



### Insulated Room Sealed Flue Kit

Flue Kit for Hanging Fireplaces

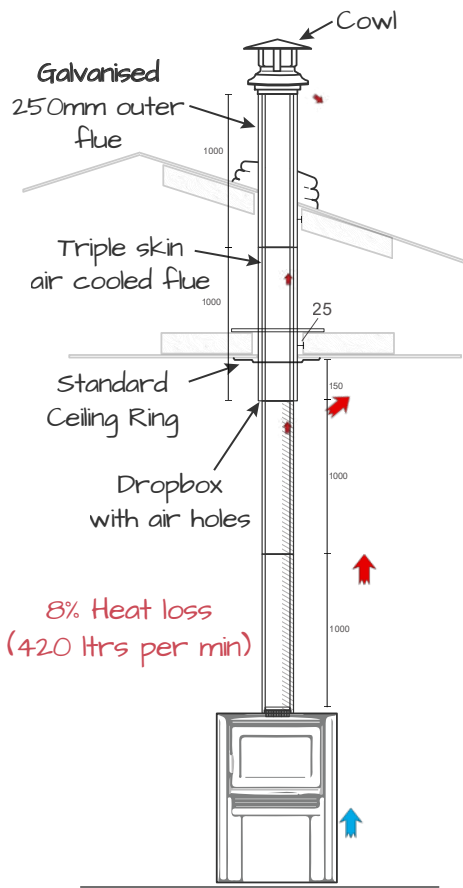


oblica.com.au  
Abbotsford, VIC 3067  
03 9416 0400

# Finish the look with the right flue..

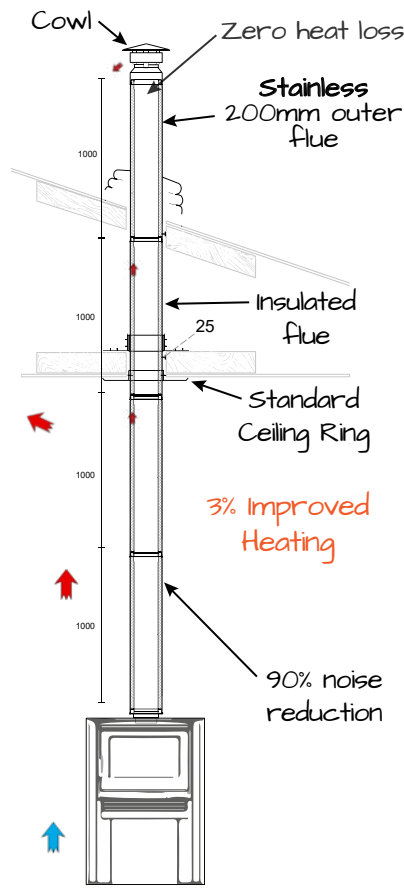
## Triple Skin Flue Kit

Air Cooled 4m Flue Kit



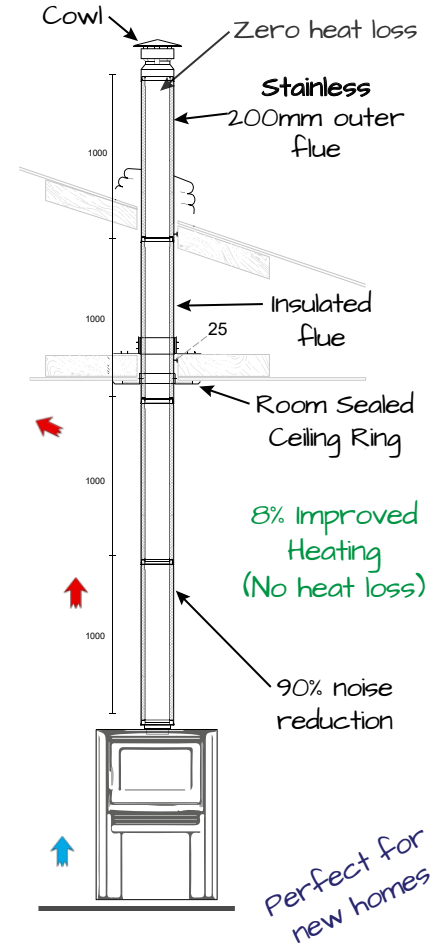
## Insulated Flue Kit

Insulated 4m Flue Kit



## Insulated Room Sealed Flue Kit

Insulated 4m Flue Kit



## Room Sealed Flue Kits offer:

- All Stainless construction
- Increases Efficiency by up to 8%
- Up to 90% Noise Reduction
- Safer to install
- Offset & Bends faster to install
- Stops debris falling on top of heater
- Insulated ceiling ring creates an air tight room to give a true room seal flue kit solution, perfect for High Efficient homes
- Insulated flue promotes a cleaner burn by providing a consistent flue temperature
- BAL rated to BAL-40 & BAL-FZ
- Increases burn time by up to 20%
- 7 Year Warranty



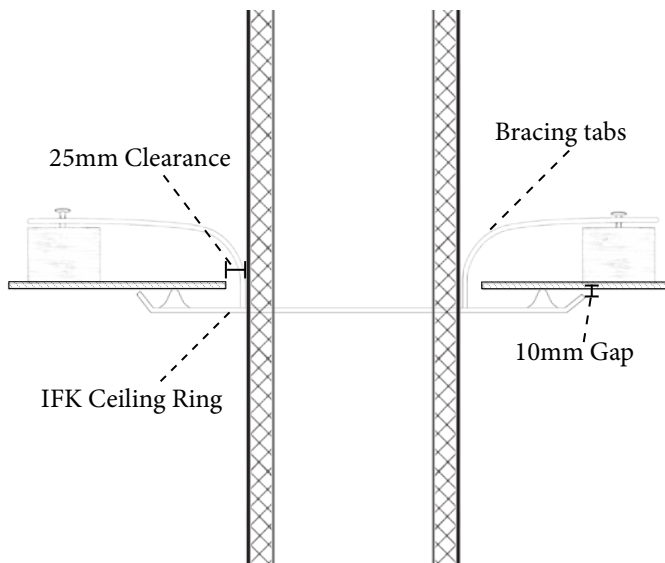
A quick look at Pivot's RSF

# IFK Ceiling Ring

## Insulated Flue Kit

Pivot's Insulated Flue Kit (IFK)

Non insulated ceiling ring

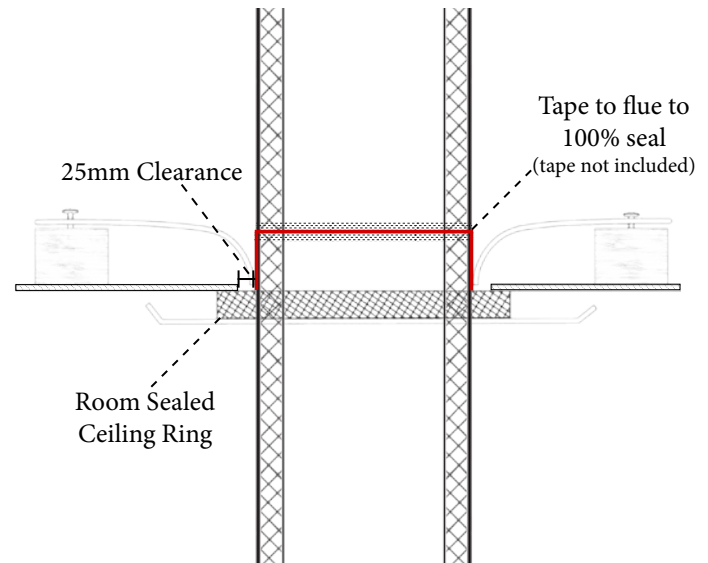


# RSF Ceiling Ring

## Room Sealed Flue Kit

Pivot's Room Sealed Flue Kit (RSF)

With an Insulated Ceiling Ring to fully air seal the flue



Improves heating by 8%  
Passive & New home approved



Correct way to install a RSF ceiling ring



The RSF ceiling ring difference



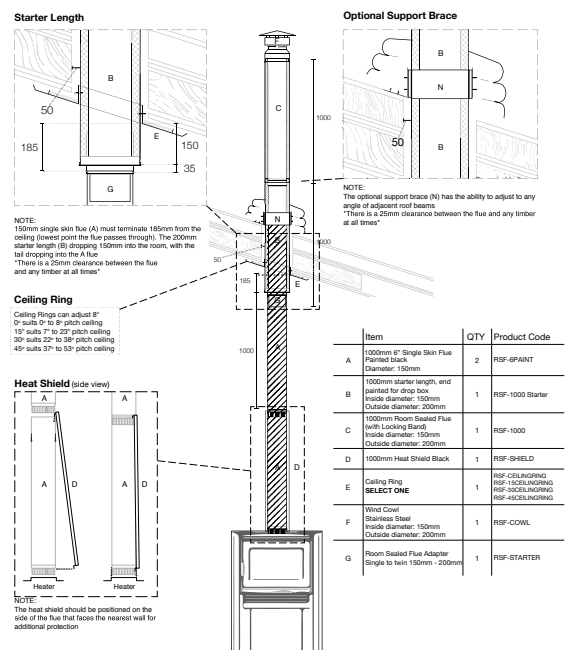
Correct size ceiling cutout

### Insulated Room Seal Flue Kit

Cathedral Ceiling 4m Flue Kit

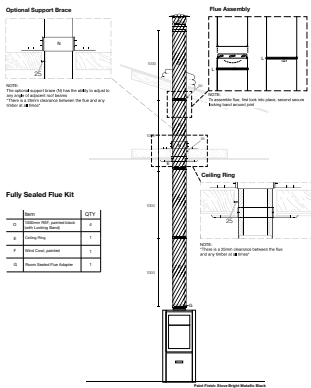
## Following pitches available for IFK & RSF ceiling rings:

- 0° will suit any ceiling pitch from 0° to 8°
- 15° will suit any ceiling pitch from 9° up to 18°
- 22° will suit any ceiling pitch from 18° to 28°
- 30° will suit any ceiling pitch from 28° to 38°
- 45° will suit any ceiling pitch from 38° to 47°



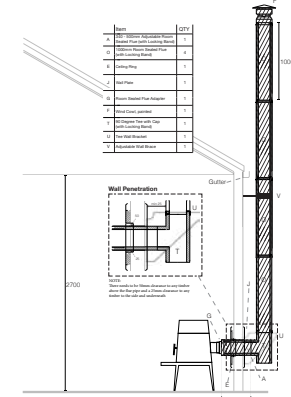
**Insulated Room Sealed Flue Kit**

Fully Sealed 4th Flue Kit  
Painted Black Insulated RSP from the burner



**Insulated Room Sealed Flue Kit**

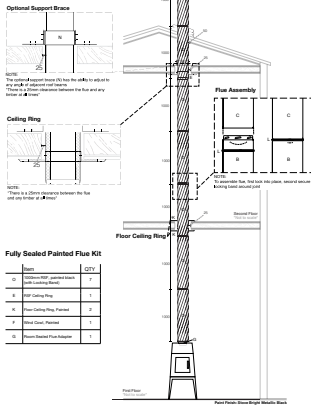
Roof Flue Kit  
Painted Black Insulated RSP from the burner  
Adjustable wall penetration



2 Story Flue Kits

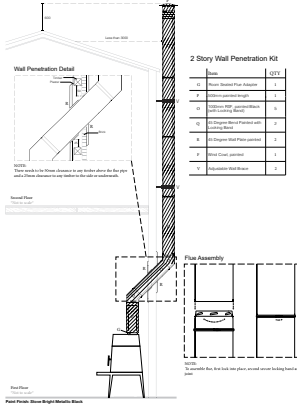
**Insulated Room Sealed Flue Kit**

2 Story Fully Sealed Painted Floor Penetration Kit  
Floor Flue Painted Insulated RSP  
Roof Flue Painted Insulated RSP



**Insulated Room Sealed Flue Kit**

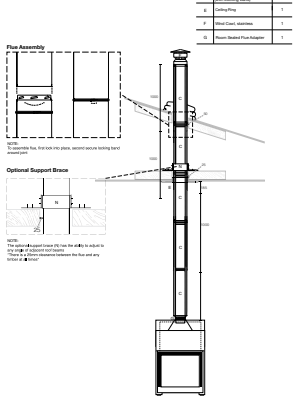
2 Story Wall Penetration Kit



Other Flue Kits

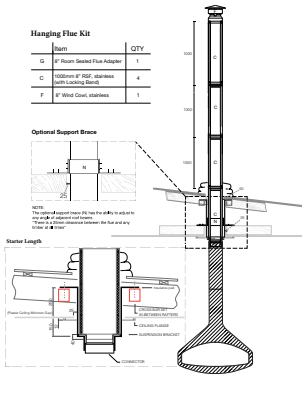
**Insulated Room Sealed Flue Kit**

5th Flue Kit for STUV 21 Fireplaces



**Insulated Room Sealed Flue Kit**

Flue Kit for Hanging Fireplaces





# Contents

## Single Story Flue Kits

---

- 6 Fully Sealed 4m Flue Kit
- 8 Rear 4m Flue Kit

## 2 Story Flue Kits

---

- 10 2 Story Fully Sealed Painted Floor Penetration (Type 4)
- 12 2 Story Wall Penetration Kit

## Other Flue Kits

---

- 14 5m Cast Iron Fireplaces Flue Kit
- 16 Hanging Fireplace Kit

## Information

---

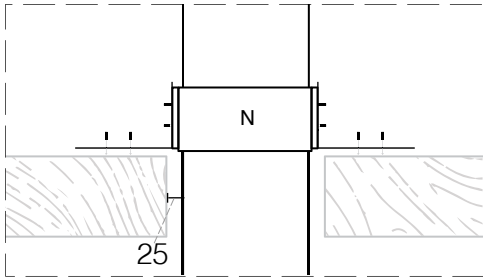
- 18 Skantherm Flue Guide
- 19 Hase Flue Guide
- 20 Focus Hanging Flue Guide
- 22 Stuv Flue Guide
- 24 Flue Parts List
- 27 Flashing
- 28 Offset Bends
- 29 Bracing Options
- 30 VLAZE Hearths & Heat Shields
- 31 Video Library links

# Insulated Room Sealed Flue Kit

## Fully Sealed 4m Flue Kit

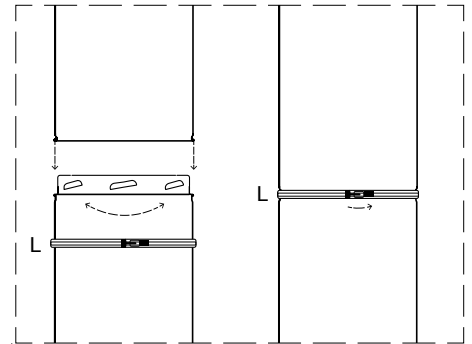
*Painted Black Insulated RSF from the heater*

### Optional Support Brace



NOTE:  
The optional support brace (N) has the ability to adjust to any angle of adjacent roof beams  
\*There is a 25mm clearance between the flue and any timber at all times\*

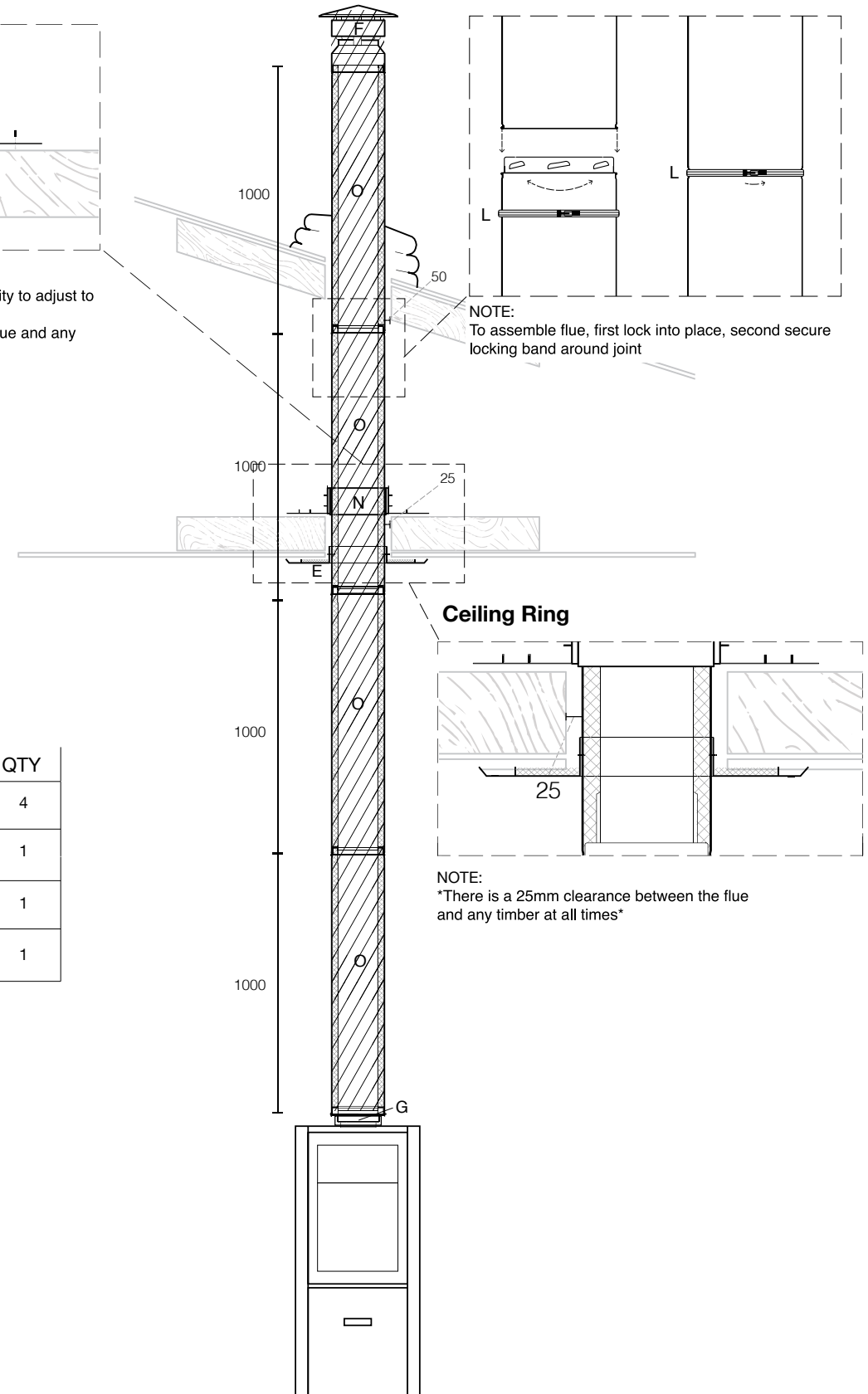
### Flue Assembly



NOTE:  
To assemble flue, first lock into place, second secure locking band around joint

### Fully Sealed Flue Kit

Item	Item	QTY
O	1000mm RSF, painted black (with Locking Band)	4
E	Ceiling Ring	1
F	Wind Cowl, painted	1
G	Room Sealed Flue Adapter	1

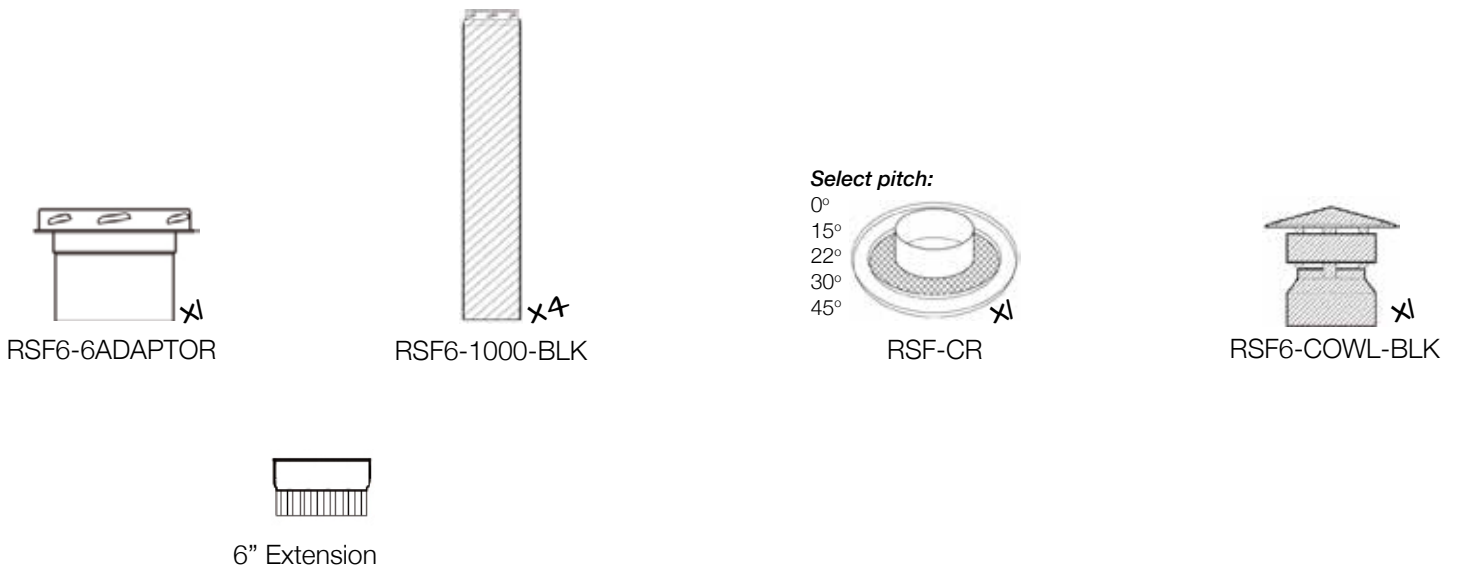


NOTE:  
\*There is a 25mm clearance between the flue and any timber at all times\*

Paint Finish: Stove Bright Metallic Black

**MOST POPULAR**

# Insulated Room Sealed Flue Kit Fully Sealed 4m Flue Kit



When ordering:  
- Choose Kit \_\_\_\_\_  
- Choose ceiling ring \_\_\_\_ °

Description	Part Number	RRP inc GST
6" RSF Insulated Flue Kit for SHAKER BLACK. No Extension	RSF6 FKOB-SHAKER	\$1,245.00
6" RSF Insulated Flue Kit for COMPACT BLACK. Includes 85mm Extension	RSF6 FKOB-COMPACTBLK	\$1,290.00
6" RSF Insulated Flue Kit for COMPACT / COMPACT High CHARCOAL. Includes 85mm Extension	RSF6 FKOB-COMPACTCH	\$1,350.00
6" RSF Insulated Flue Kit for STUV 16 CUBE CHARCOAL. Includes 85mm Extension	RSF6 FKOB-STUVCB	\$1,350.00
6" RSF Insulated Flue Kit for STUV 30 CHARCOAL	RSF6 FKOB-STUV30	\$1,350.00
6" RSF Insulated Flue Kit for ELEMENT / EMOTION BLACK. Includes Extension 185mm	RSF6 FKOB-ELEMENT	\$1,290.00
6" RSF Insulated Flue Kit for LIMA CHOOSE BLACK or CHARCOAL. Includes Extension 85mm	RSF6 FKOB-LIMA	\$1,335.00
7" RSF Insulated Flue Kit for STUV 30 High CHARCOAL. Includes RSF6-7Adapter	RSF6 FKOB-STUV30H	\$1,395.00

Note: Pricing includes ceiling ring

## Optional

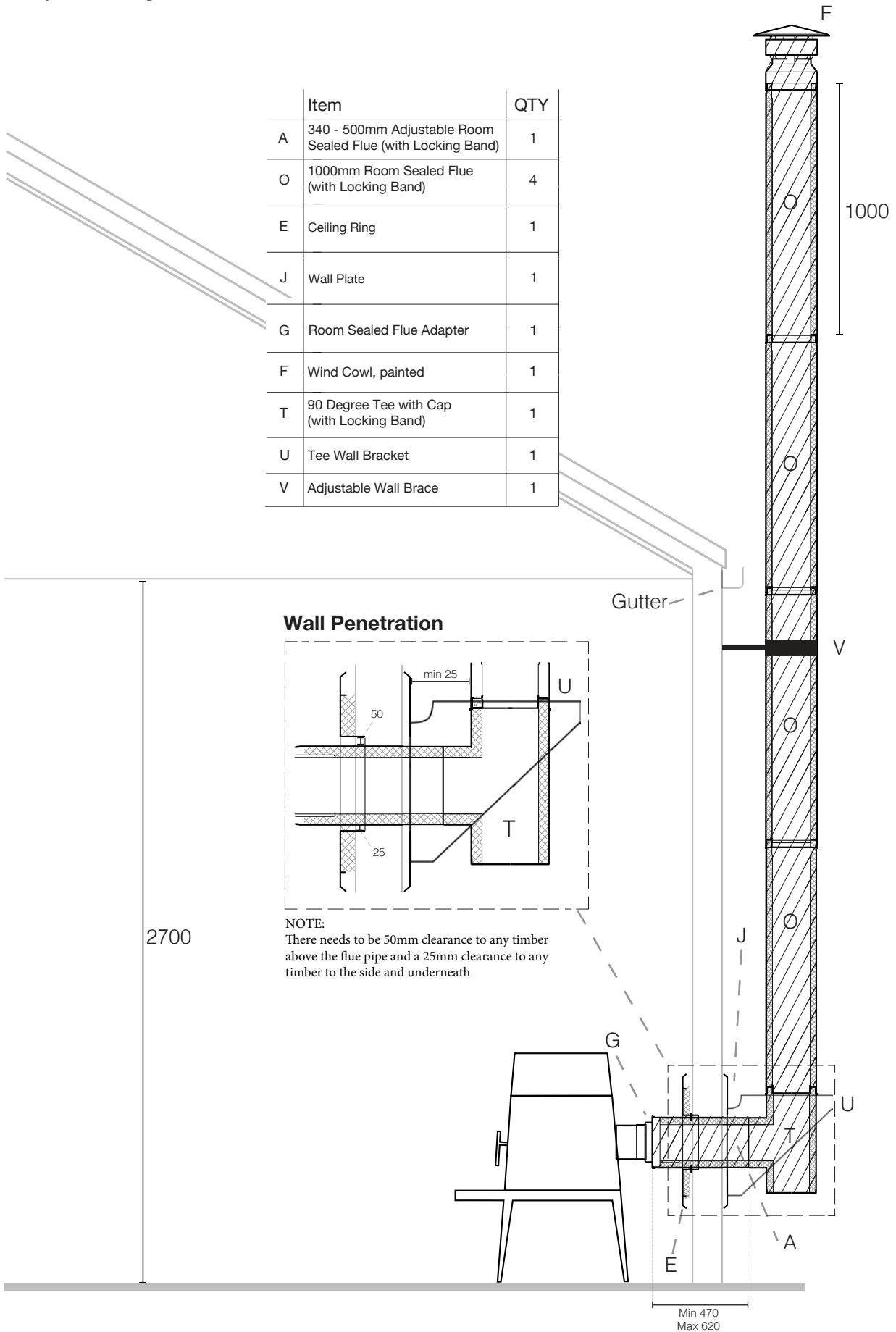
Ceiling Support Brace	RSF6-CS	\$99.00
Roof Bracing Kit	RSF6-RB	\$99.00

# Insulated Room Sealed Flue Kit

## Rear Flue Kit

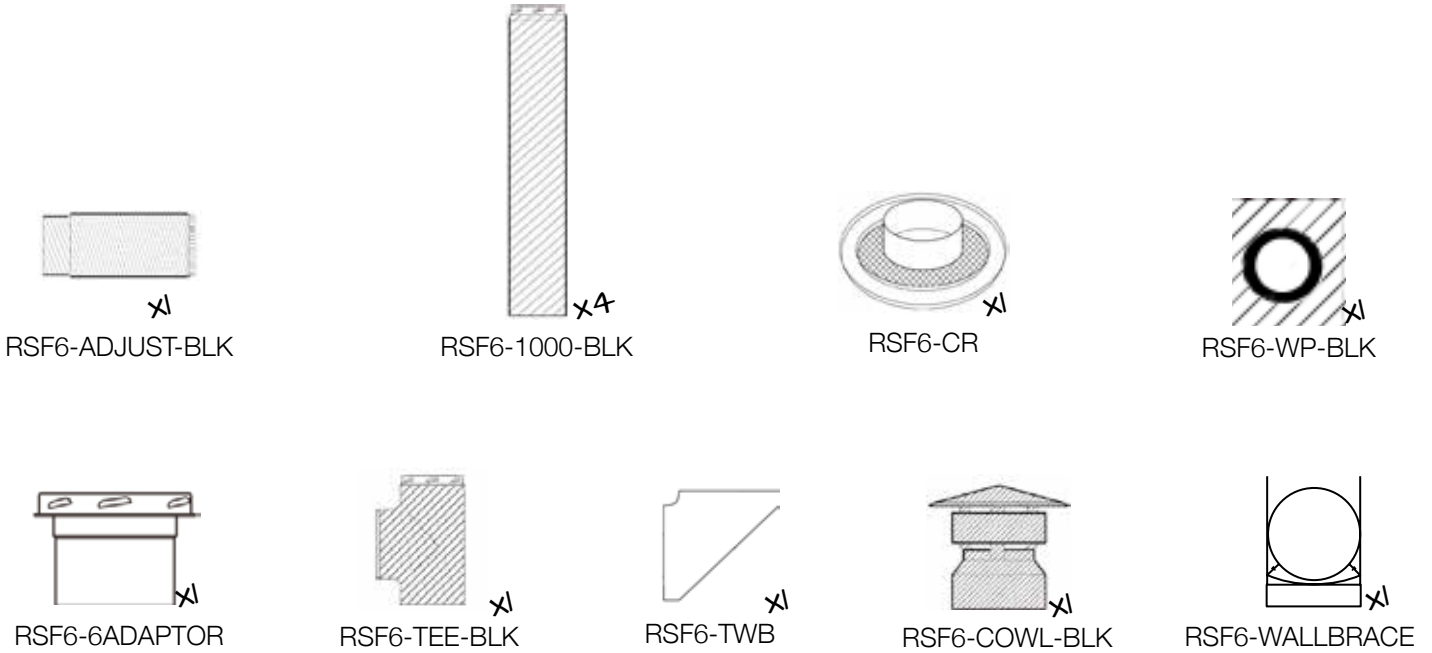
*Painted Black Insulated RSF from the heater  
Adjustable wall penetration*

Item	QTY	
A	340 - 500mm Adjustable Room Sealed Flue (with Locking Band)	1
O	1000mm Room Sealed Flue (with Locking Band)	4
E	Ceiling Ring	1
J	Wall Plate	1
G	Room Sealed Flue Adapter	1
F	Wind Cowl, painted	1
T	90 Degree Tee with Cap (with Locking Band)	1
U	Tee Wall Bracket	1
V	Adjustable Wall Brace	1



# Insulated Room Sealed Flue Kit

## Rear 4m Flue Kit



Description	Part Number	RRP inc GST
6" Rear RSF Insulated Flue Kit for ELEMENT <b>Black.</b>	RSF6 FKOB ELEMENTREAR	\$1,998.00
6" Rear RSF Insulated Flue Kit for OBLICA <b>Black.</b> Includes SS6 85mm. SUITS EMOTION, SHAKER, STUV 6, STUV 30	RSF6 FKOB REAR	\$2,139.00

Note: Pricing includes ceiling ring

### Optional

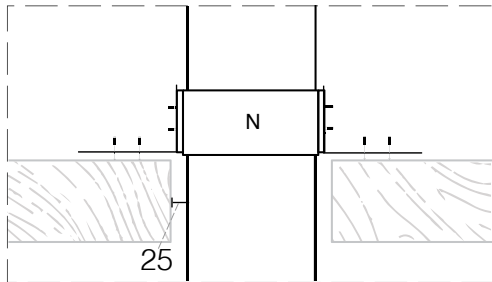
Adjustable Wall Brace	RSF6-WB	\$99.00
-----------------------	---------	---------

# Insulated Room Sealed Flue Kit

## 2 Story Fully Sealed Painted Floor Penetration Kit

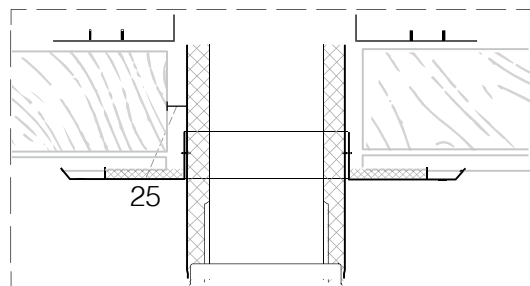
First Floor Painted Insulated RSF  
Second Floor Painted Insulated RSF

### Optional Support Brace

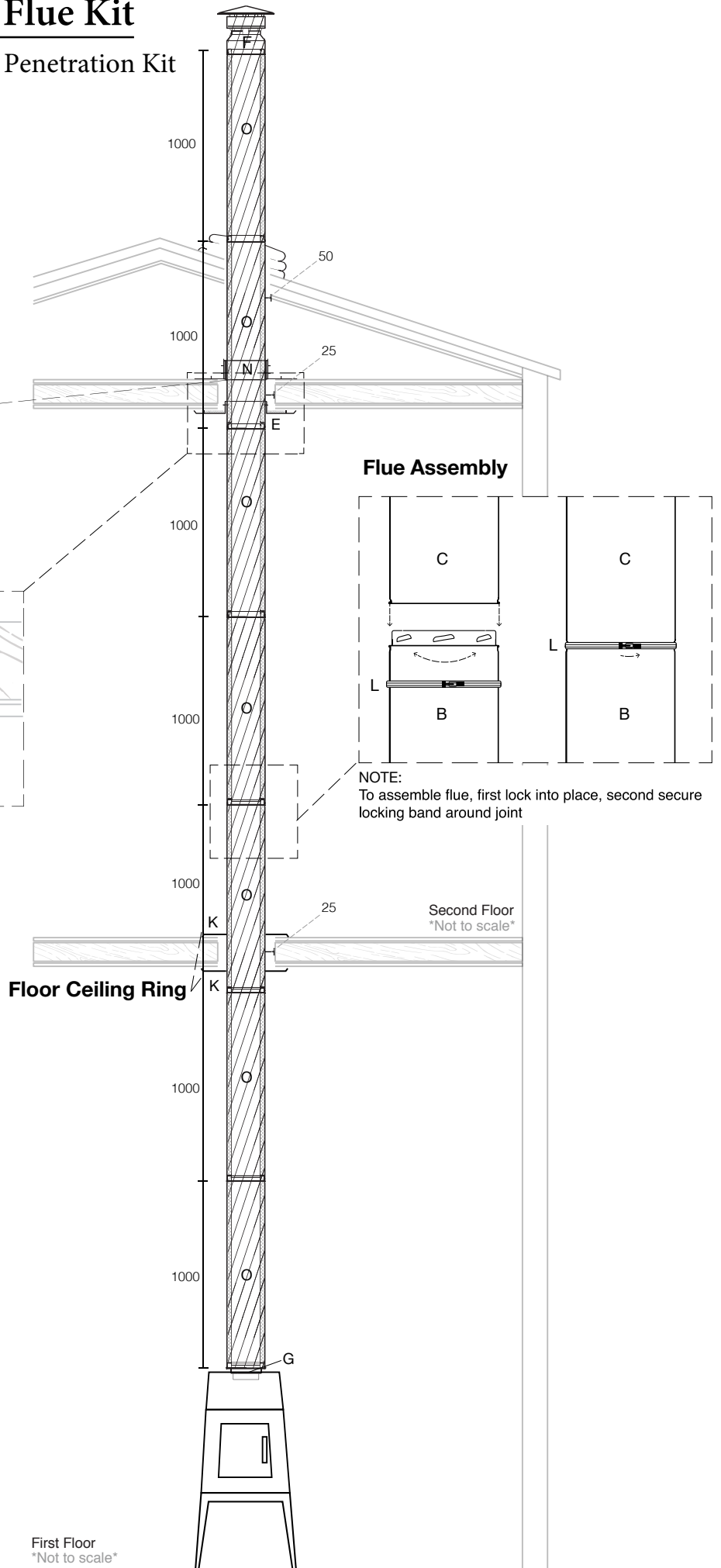


NOTE:  
The optional support brace (N) has the ability to adjust to any angle of adjacent roof beams  
\*There is a 25mm clearance between the flue and any timber at all times\*

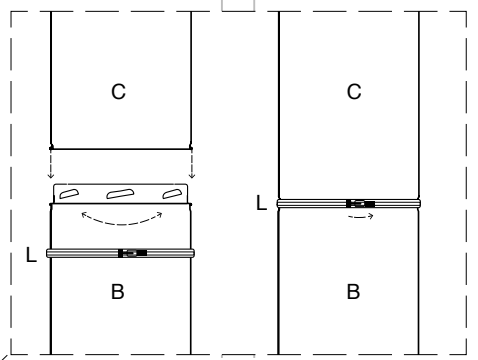
### Ceiling Ring



NOTE:  
\*There is a 25mm clearance between the flue and any timber at all times\*



### Flue Assembly



NOTE:  
To assemble flue, first lock into place, second secure locking band around joint

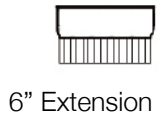
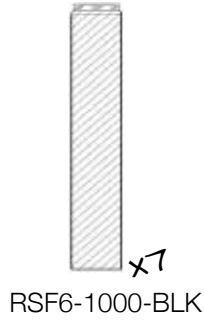
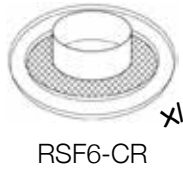
## Fully Sealed Painted Flue Kit

Item	QTY	
O	1000mm RSF, painted black (with Locking Band)	7
E	RSF Ceiling Ring	1
K	Floor Ceiling Ring, Painted	2
F	Wind Cowl, Painted	1
G	Room Sealed Flue Adapter	1



# Insulated Room Sealed Flue Kit

## 2 Story Fully Sealed Painted Floor Penetration Kit Type 4

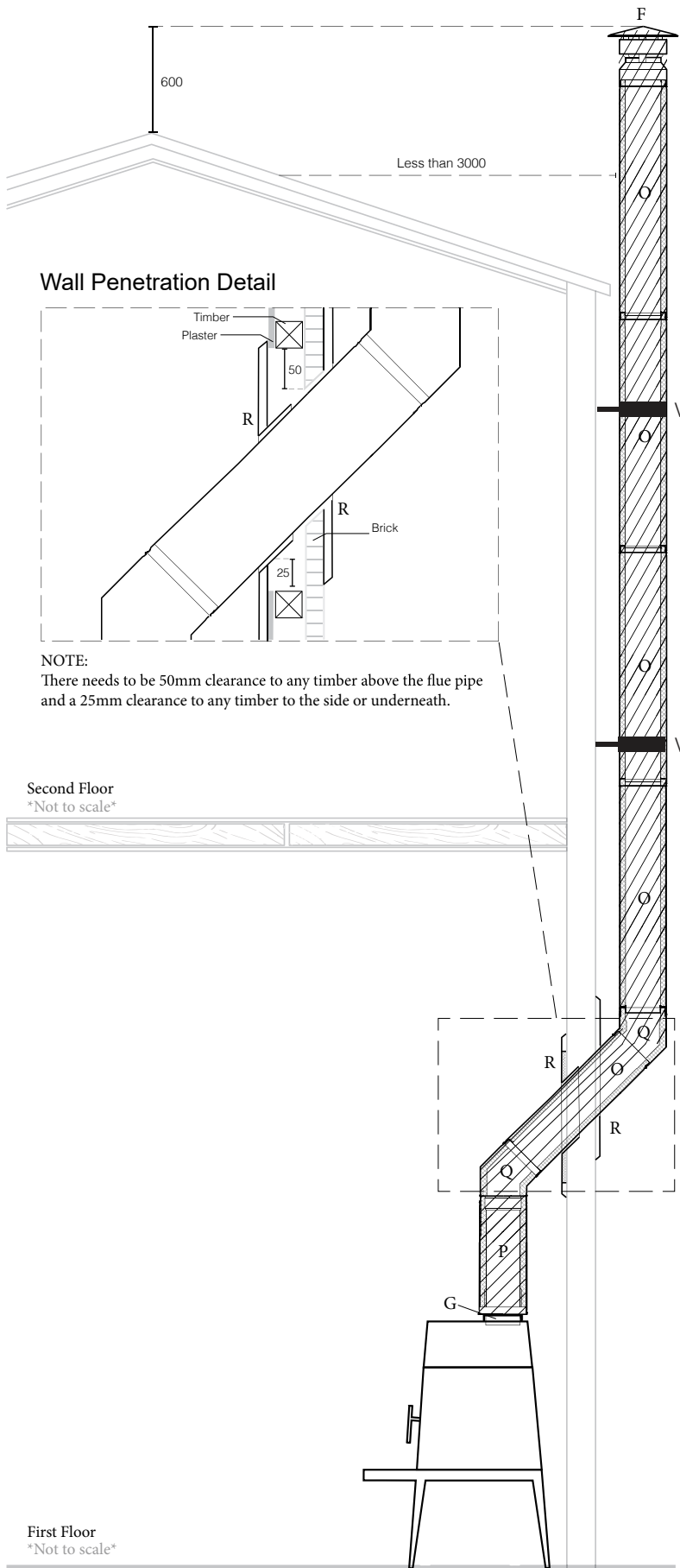


Description	Part Number	RRP inc GST
6" 2 Story Floor Pen Room Sealed Flue Kit: Type4	RSF6 FKOB 2STORY	\$2,485.00

Note: Pricing includes ceiling ring

# Insulated Room Sealed Flue Kit

## 2 Story Wall Penetration Kit



Wall Penetration Detail

NOTE:  
There needs to be 50mm clearance to any timber above the flue pipe and a 25mm clearance to any timber to the side or underneath.

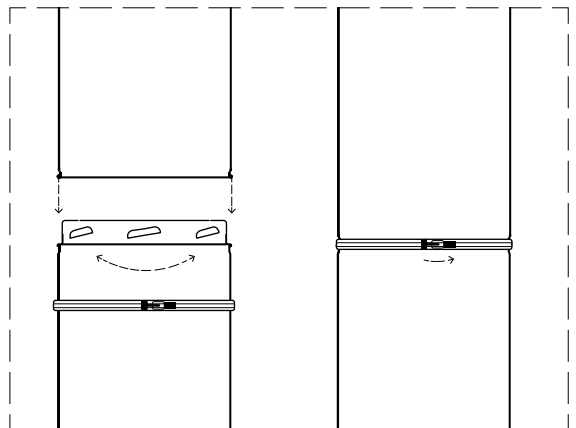
Second Floor  
\*Not to scale\*

First Floor  
\*Not to scale\*

## 2 Story Wall Penetration Kit

	Item	QTY
G	Room Sealed Flue Adapter	1
P	500mm painted length	1
O	1000mm RSF, painted Black (with Locking Band)	5
Q	45 Degree Bend Painted with Locking Band	2
R	45 Degree Wall Plate painted	2
F	Wind Cowl, painted	1
V	Adjustable Wall Brace	2

## Flue Assembly

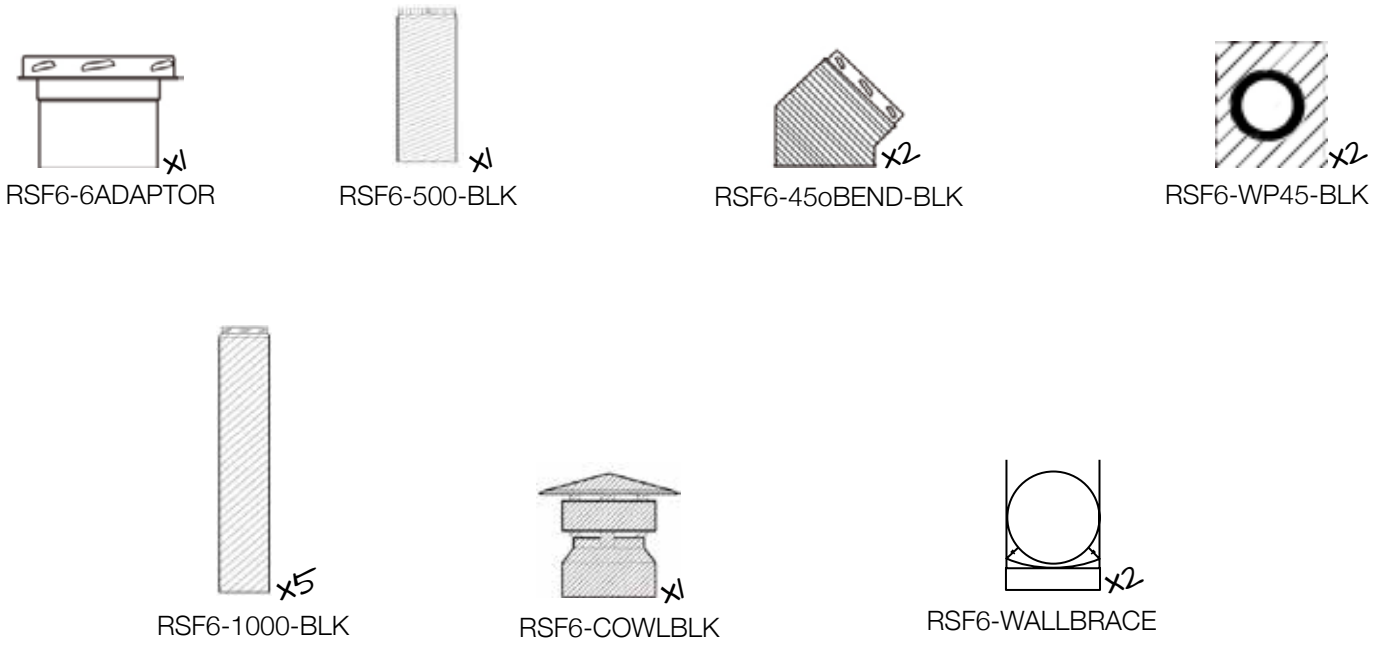


NOTE:  
To assemble flue, first lock into place, second secure locking band around joint

Paint Finish: Stove Bright Metallic Black

# Insulated Flue Kit

## 2 Story Wall Penetration Kit



Description	Part Number	RRP inc GST
5" 2 Story Wall Pen Flue Kit	IFK5 FKOB WALLPENBLK	\$2,171.00
<b>6" 2 Story Wall Pen Flue Kit</b>	<b>IFK6 FKOB WALLPENBLK</b>	<b>\$2,171.00</b>
7" 2 Story Wall Pen Flue Kit	IFK7 FKOB WALLPENBLK	\$2,171.00
8" 2 Story Wall Pen Flue Kit	IFK8 FKOB WALLPENBLK	\$2,491.00
9" 2 Story Wall Pen Flue Kit	IFK9 FKOB WALLPENBLK	\$2,491.00

RSF6

RSF8

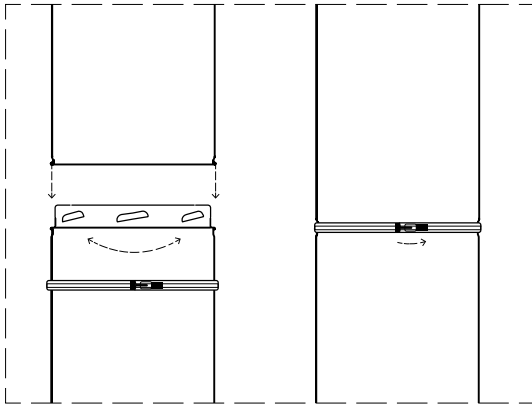
# Insulated Room Sealed Flue Kit

5m Flue Kit for STUV 21 Fireplaces

## Fully Sealed Flue Kit

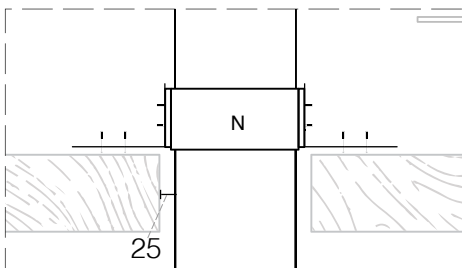
	Item	QTY
O	1000mm RSF, stainless (with Locking Band)	5
E	Ceiling Ring	1
F	Wind Cowl, stainless	1
G	Room Sealed Flue Adapter	1

### Flue Assembly

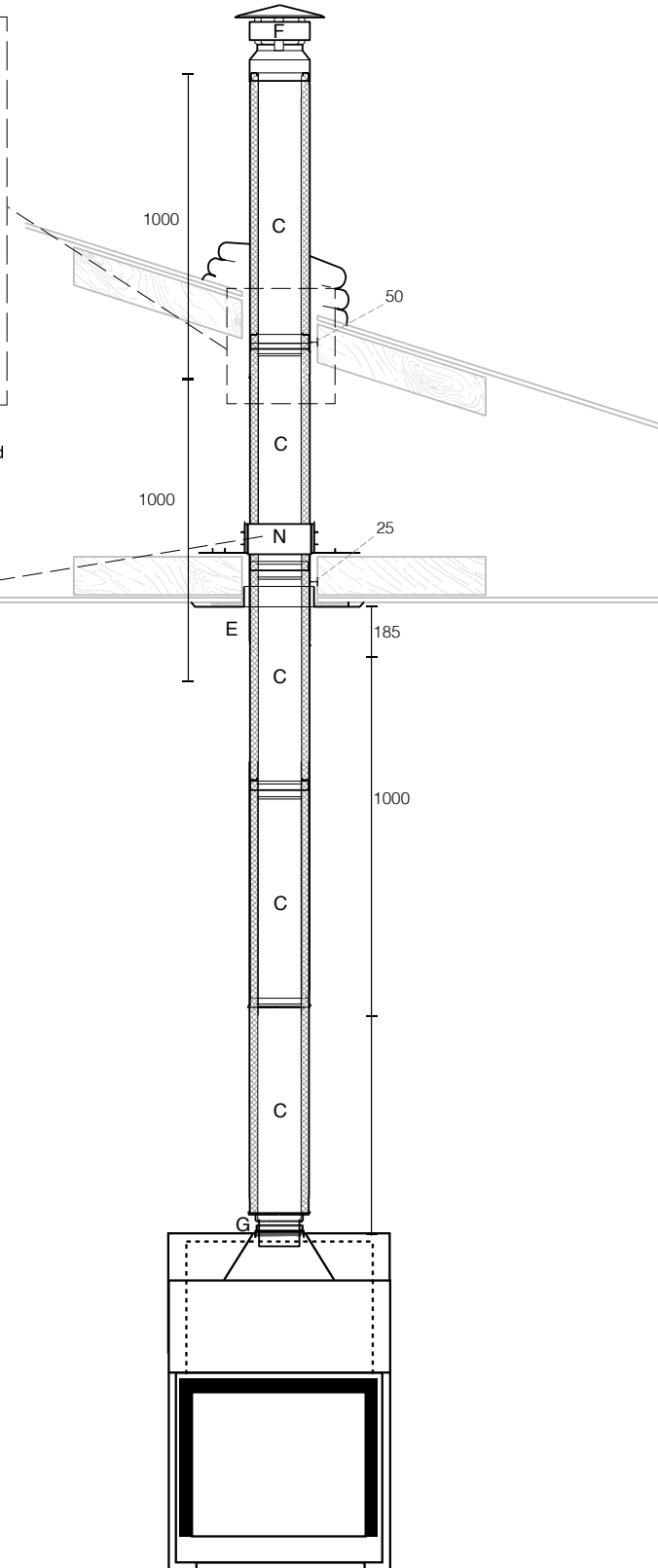


NOTE:  
To assemble flue, first lock into place, second secure locking band around joint

### Optional Support Brace

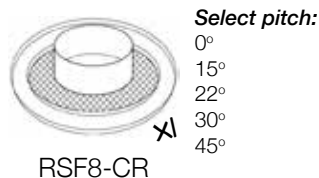


NOTE:  
The optional support brace (N) has the ability to adjust to any angle of adjacent roof beams  
\*There is a 25mm clearance between the flue and any timber at all times\*



# Insulated Flue Kit

## 5m Flue Kit for Stuv 21 Fireplaces



When ordering:  
- Choose ceiling ring \_\_\_\_ °

Description	Part Number	RRP inc GST
8" Room Sealed Flue Kit - Stainless	RSF8 FKOB INSERT	\$1,415.00
8" Room Sealed Flue Kit - Black	RSF8 FKOB INSERTBLK	\$1,515.00
SUIITS STUV 21-105		
10" Room Sealed Flue Kit - Stainless	RSF10 FKOB INSERT	\$1,835.00
10" Room Sealed Flue Kit - Black	RSF10 FKOB INSERTBLK	\$2,125.00
SUIITS STUV 21-95, 21-125, 21-135, 21-95 Double Sided		

Note: Pricing includes ceiling ring

### Optional

Ceiling Support Brace	RSF8-CS	\$99.00
	RSF10-CS	\$140.00

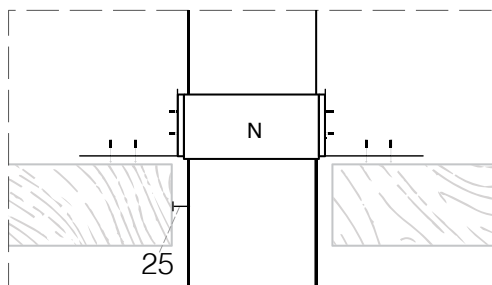
# Insulated Room Sealed Flue Kit

## Flue Kit for Hanging Fireplaces

### Hanging Flue Kit

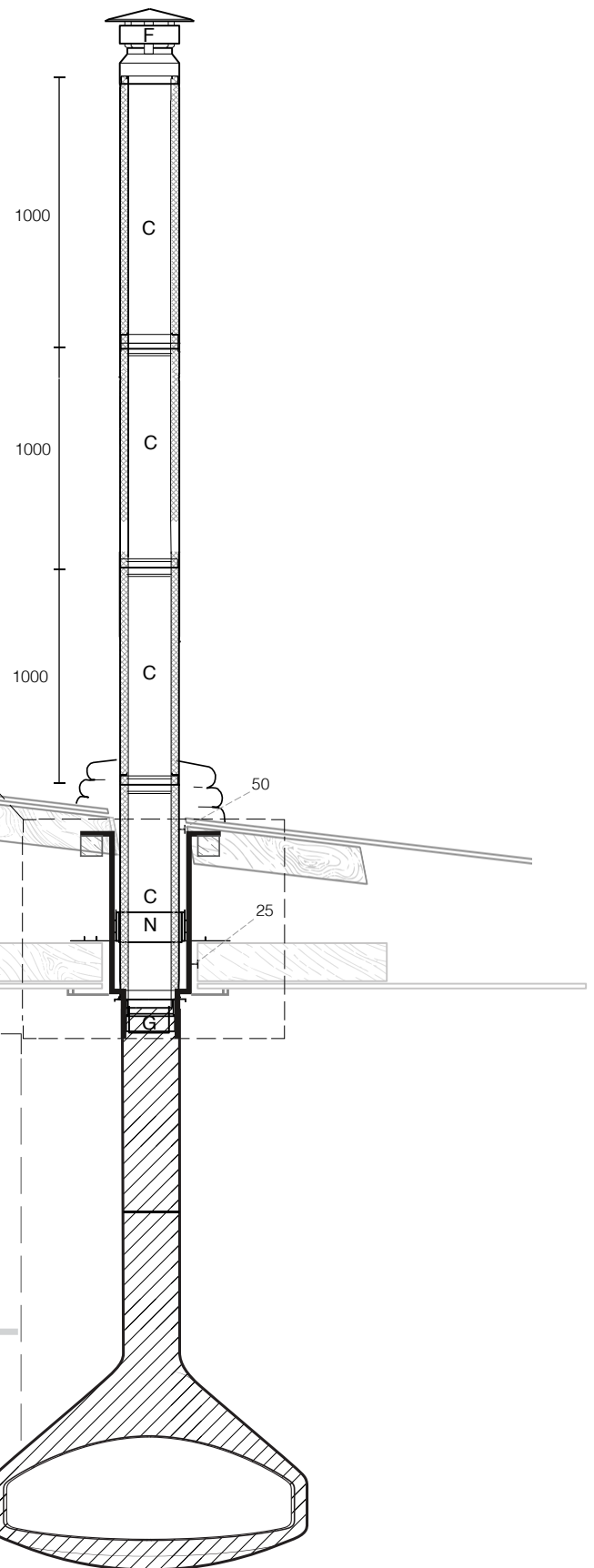
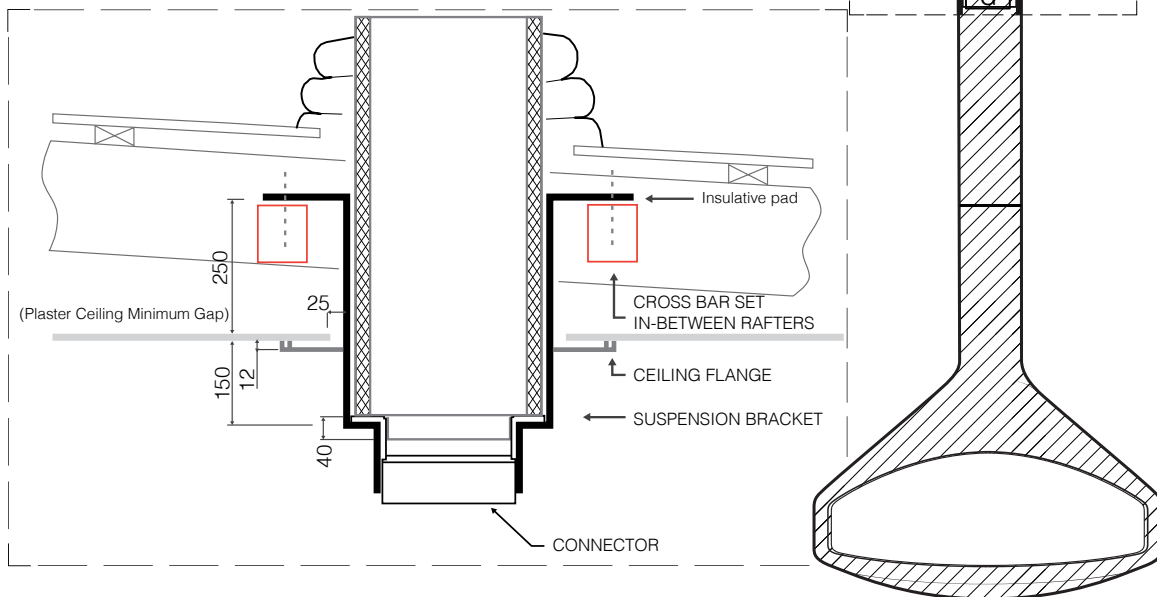
	Item	QTY
G	8" Room Sealed Flue Adapter	1
C	1000mm 8" RSF, stainless (with Locking Band)	4
F	8" Wind Cowl, stainless	1

### Optional Support Brace



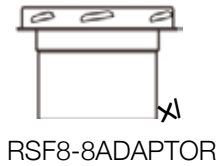
**NOTE:**  
 The optional support brace (N) has the ability to adjust to any angle of adjacent roof beams  
 \*There is a 25mm clearance between the flue and any timber at all times\*

### Starter Length





# Insulated Room Sealed Flue Kit Hanging Fireplace Kit

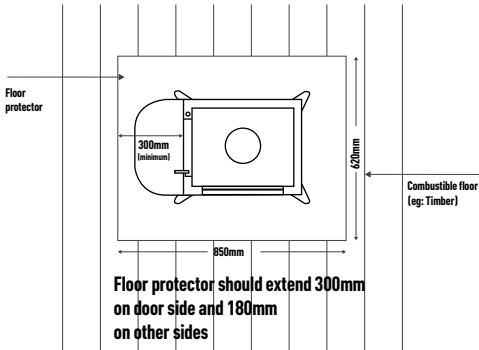


Description	Part Number	RRP inc GST
8" Room Sealed Flue Kit - Oblica Hanging Fire	RSF8 FKOB HF	\$1,330.00
10" Room Sealed Flue Kit - Larger FOCUS Fire	RSF10 FKOB HF	\$1,510.00

RSF10 RSF8

## Optional

Ceiling Support Brace	RSF8-CS	\$99.00
	RSF10-CS	\$140.00
Roof Bracing Kit	RSF8-RB	\$99.00
	RSF10-RB	\$140.00

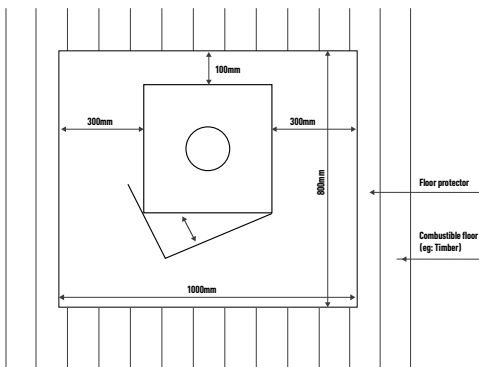


### Shaker

Output	7kW
Efficiency	66.5%
Emissions	2.2g

#### CHOOSE FLUE KIT:

Fully Sealed Flue Kit	Page 6
Rear 4m Flue Kit	Page 8
2 Story Fully Sealed Floor Pen Flue Kit	Page 10
2 Story Wall Pen Flue Kit	Page 12

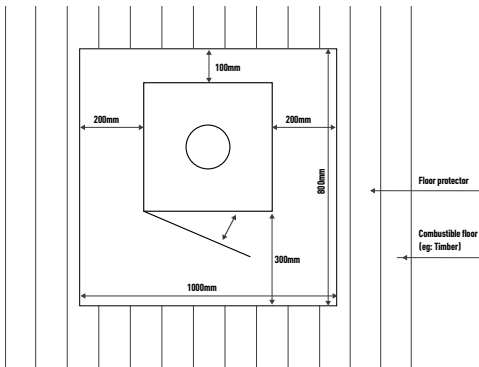


### Elements 400 corner

Output	7kW
Efficiency	69%
Emissions	0.6g

#### CHOOSE FLUE KIT:

Fully Sealed Flue Kit	Page 6
Rear 4m Flue Kit	Page 8
2 Story Fully Sealed Floor Pen Flue Kit	Page 10
2 Story Wall Pen Flue Kit	Page 12

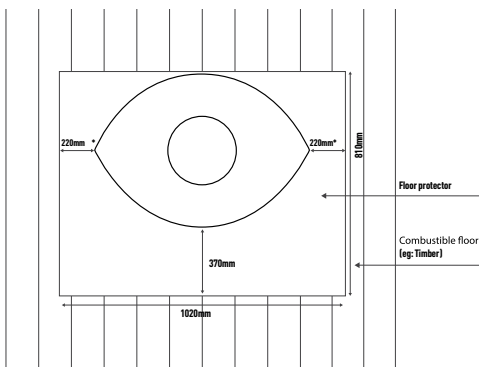


### Elements 600 front

Output	7kW
Efficiency	69%
Emissions	0.6g

#### CHOOSE FLUE KIT:

Fully Sealed Flue Kit	Page 6
Rear 4m Flue Kit	Page 8
2 Story Fully Sealed Floor Pen Flue Kit	Page 10
2 Story Wall Pen Flue Kit	Page 12



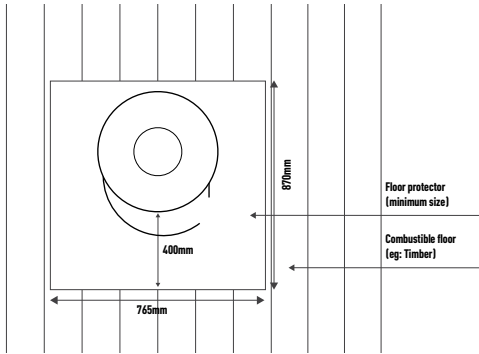
### Emotion

Output	7kW
Efficiency	71%
Emissions	1.2g

#### CHOOSE FLUE KIT:

Fully Sealed Flue Kit	Page 6
Rear 4m Flue Kit	Page 8
2 Story Fully Sealed Floor Pen Flue Kit	Page 10
2 Story Wall Pen Flue Kit	Page 12

\*If the fireplace is installed in rotatable configuration, floor protector must extend 300mm on both sides of the unit.

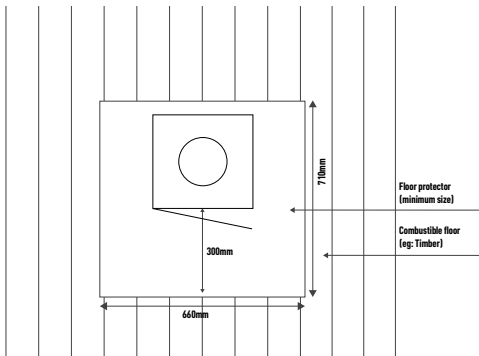


### Lima

Output	8kW
Efficiency	60%
Emissions	1.3g

#### CHOOSE FLUE KIT:

Fully Sealed Flue Kit	Page 6
2 Story Fully Sealed Floor Pen Flue Kit	Page 10
2 Story Wall Pen Flue Kit	Page 12

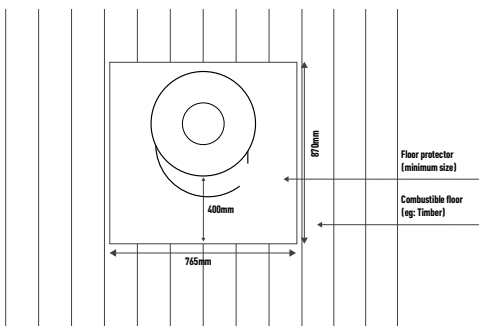


### Sendai 110, 135, 155 & 175

Output	6kW
Efficiency	61%
Emissions	1.3g

#### CHOOSE FLUE KIT:

Fully Sealed Flue Kit	Page 6
2 Story Fully Sealed Floor Pen Flue Kit	Page 10
2 Story Wall Pen Flue Kit	Page 12

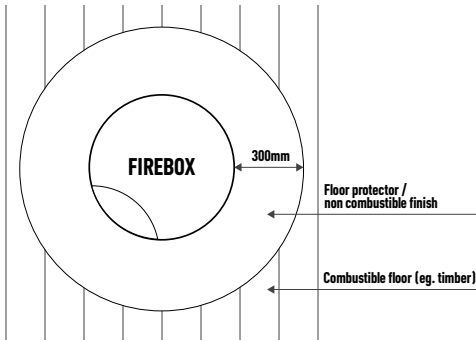


### Sila & Sila Plus

Output	8kW
Efficiency	60%
Emissions	1.3g

#### CHOOSE FLUE KIT:

Fully Sealed Flue Kit	Page 6
2 Story Fully Sealed Floor Pen Flue Kit	Page 10
2 Story Wall Pen Flue Kit	Page 12

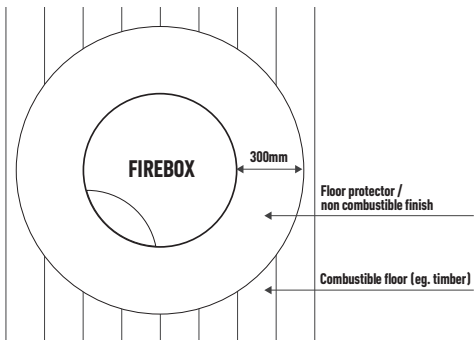


## Bathyscafocus

Output	5.5kW
Efficiency	59.4%

**FLUE KIT:**  
Hanging Fireplace Kit

Page 16

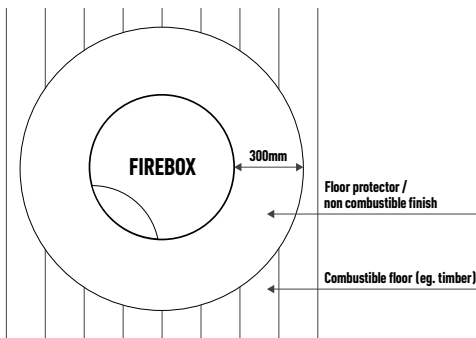


## Bathyscafocus Hublot

Output	16.5kW
Efficiency	55.8%

**FLUE KIT:**  
Hanging Fireplace Kit

Page 16

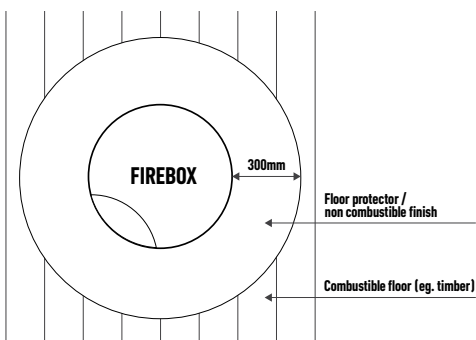


## Domofocus

Output	7kW
Efficiency	55%

**FLUE KIT:**  
Hanging Fireplace Kit

Page 16

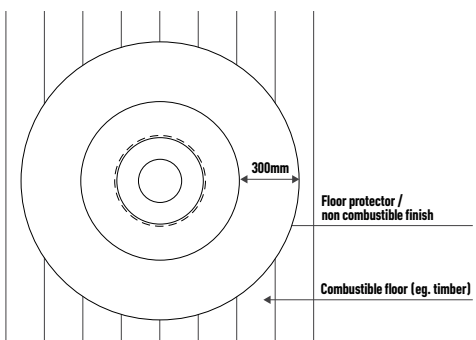


## Ergofocus

Output	5kW
Efficiency	46.1%

**FLUE KIT:**  
Hanging Fireplace Kit

Page 16



## Filiofocus 2000 & 1600

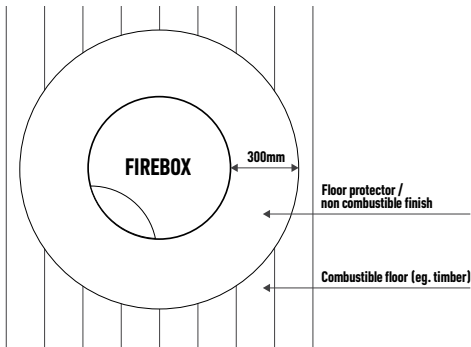
Output	6kW
Efficiency	50%

**FLUE KIT:**  
Hanging Fireplace Kit

Page 16

# focus

# obidea



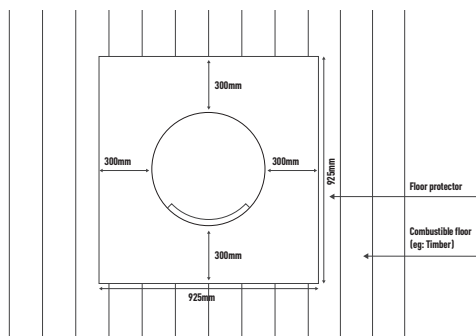
## Gyrofocus

Output	6kW
Efficiency	57.8%

**FLUE KIT:**  
Hanging Fireplace Kit

Page 16

Minimum floor protector size in a rotating configuration.



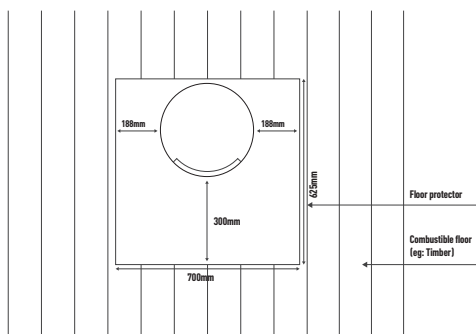
## Slimfocus

Output	6kW
Efficiency	57.8%

**FLUE KIT:**  
Hanging Fireplace Kit

Page 16

Minimum floor protector size in a non rotating configuration.

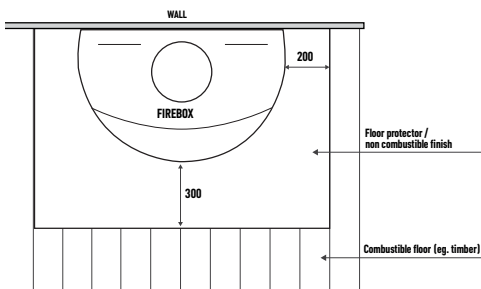


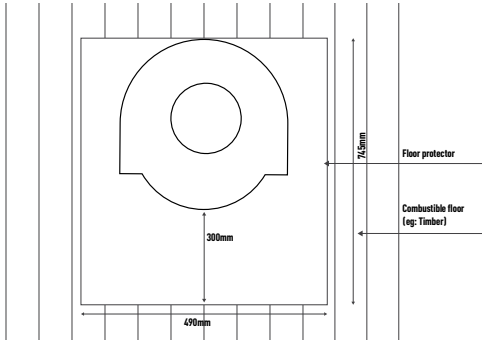
## Paxfocus

Output	5kW
Efficiency	46.1%

**FLUE KIT:**  
Hanging Fireplace Kit

Page 16



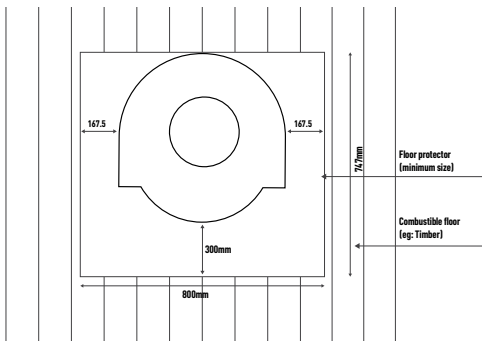


### Stuv 30 Compact

Output	8kW
Efficiency	61%
Emissions	1.3g

#### CHOOSE FLUE KIT:

Fully Sealed Flue Kit	Page 6
Rear 4m Flue Kit	Page 8
2 Story Fully Sealed Floor Pen Flue Kit	Page 10
2 Story Wall Pen Flue Kit	Page 12

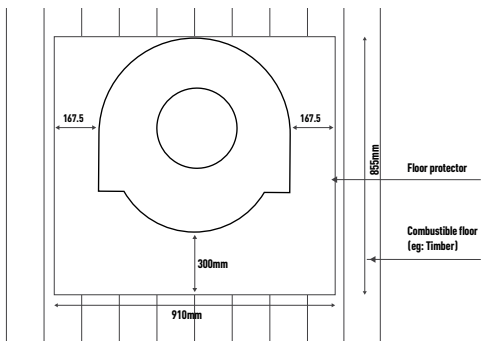


### Stuv 30 Compact - High

Output	8kW
Efficiency	80%
Emissions	1.1g

#### CHOOSE FLUE KIT:

Fully Sealed Flue Kit	Page 6
Rear 4m Flue Kit	Page 8
2 Story Fully Sealed Floor Pen Flue Kit	Page 10
2 Story Wall Pen Flue Kit	Page 12

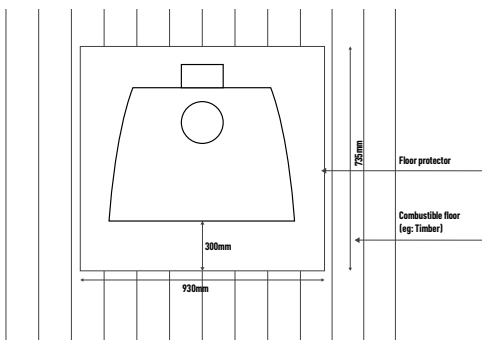


### Stuv 30 & Stuv 30 - High

Output	10kW
Efficiency	67%
Emissions	1.1g

#### CHOOSE FLUE KIT:

Fully Sealed Flue Kit	Page 6
Rear 4m Flue Kit	Page 8
2 Story Fully Sealed Floor Pen Flue Kit	Page 10
2 Story Wall Pen Flue Kit	Page 12

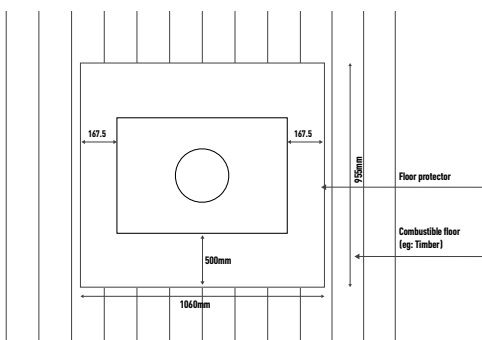


### Stuv 6

Output	6kW
Efficiency	62%
Emissions	0.6g

#### CHOOSE FLUE KIT:

Fully Sealed Flue Kit	Page 6
Rear 4m Flue Kit	Page 8
2 Story Fully Sealed Floor Pen Flue Kit	Page 10
2 Story Wall Pen Flue Kit	Page 12



### Stuv 16

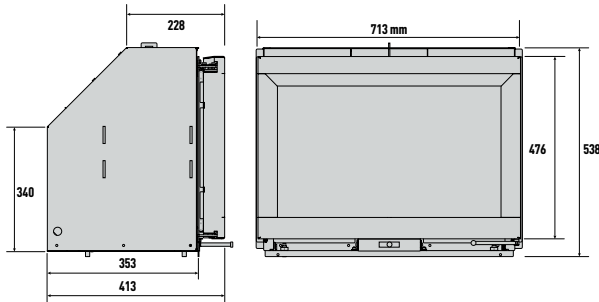
Output	7kW
Efficiency	60%
Emissions	0.7g

#### CHOOSE FLUE KIT:

Fully Sealed Flue Kit	Page 6
2 Story Fully Sealed Floor Pen Flue Kit	Page 10
2 Story Wall Pen Flue Kit	Page 12



### Stuv 6



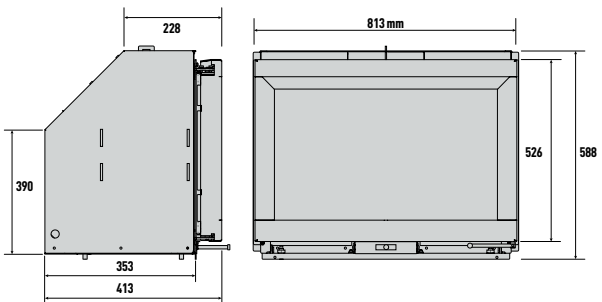
#### 76x55

Output	6kW
Efficiency	62%
Emissions	0.6g

#### CHOOSE FLUE KIT:

5m Cast Iron Fireplaces Flue Kit

Page 14



#### 86x60

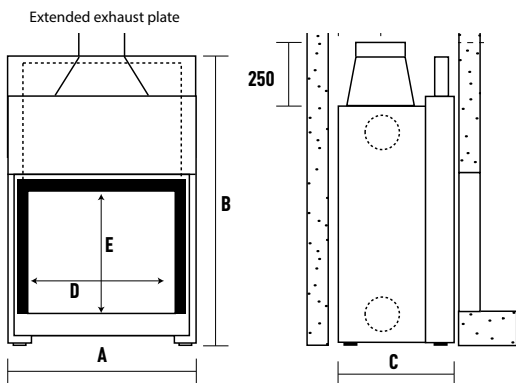
Output	7kW
Efficiency	68%
Emissions	1.1g

#### CHOOSE FLUE KIT:

5m Cast Iron Fireplaces Flue Kit

Page 14

### Stuv 21



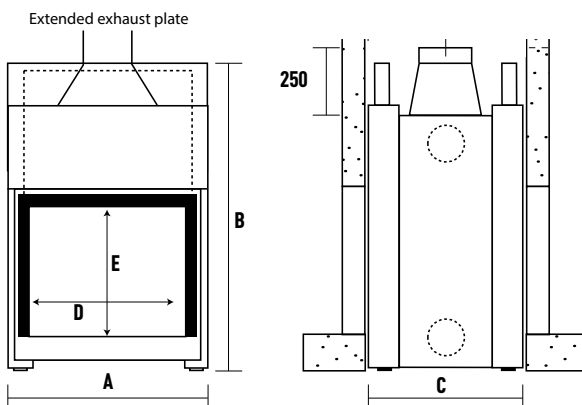
#### Single Sided

DIMENSIONS				
	STUV 21 / 95 SF	STUV 21 / 105 SF	STUV 21 / 125 SF	STUV 21 / 135 SF
A	950	1050	1250	1350
B	1455	1040	1295	1040
C	590	496	563	500
D	770	870	1070	1170
E	615	400	535	400

#### CHOOSE FLUE KIT:

5m Cast Iron Fireplaces Flue Kit

Page 14



#### Double Sided

DIMENSIONS		
	STUV 21 / 95 DF	STUV 21 / 125 DF
A	950	1250
B	1455	1295
C	670	670
D	770	1070
E	615	535

#### CHOOSE FLUE KIT:

5m Cast Iron Fireplaces Flue Kit

Page 14



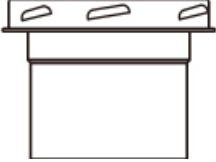


**Insulated Flue Parts List**
**6", 7", 8", 9", 10"**

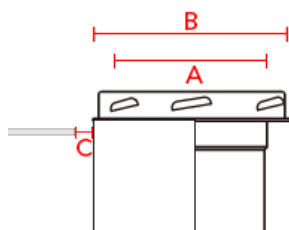
Individual Item Description	Part Number	RRP inc GST
5" 1,000mm Single Skin, S/S - Black (not insulated)	SS5BLK	\$120.00
6" 1,000mm Single Skin, S/S - Black (not insulated)	SS6BLK	\$140.00
7" 1,000mm Single Skin, S/S - Black (not insulated)	SS7BLK	\$150.00
8" 1,000mm Single Skin, S/S - Black (not insulated)	SS8BLK	\$190.00
10" 1,000mm Single Skin, S/S - Black (not insulated)	SS10BLK	\$240.00
RSF 1,000mm Insulated Straight Pipe, S/S	RSF6-1000	\$200.00
	RSF8-1000	\$240.00
	RSF10-1000	\$300.00
RSF 1,000mm Insulated Straight Pipe, Black	RSF6-1000-BLK	\$220.00
	RSF8-1000-BLK	\$260.00
	RSF10-1000-BLK	\$380.00
RSF 1,000mm Insulated Drop Box, Partly Painted	RSF6-1000-STARTER	\$220.00
	RSF8-1000-STARTER	\$260.00
	RSF10-1000-STARTER	\$380.00
RSF 100mm Insulated Straight Pipe	RSF6-100	\$80.00
	RSF8-100	\$90.00
	RSF10-100	\$140.00
RSF 100mm Insulated Straight Pipe, Fully Painted	RSF6-100-BLK	\$90.00
	RSF8-100-BLK	\$110.00
	RSF10-100-BLK	\$180.00
RSF 500mm Insulated Straight Pipe	RSF6-500	\$125.00
	RSF8-500	\$165.00
	RSF10-500	\$220.00
RSF 500mm Insulated Straight Pipe, Black	RSF6-500-BLK	\$145.00
	RSF8-500-BLK	\$185.00
	RSF10-500-BLK	\$240.00
RSF 340mm-500mm Insulated Adjustable Pipe	RSF6-ADJUST	\$165.00
	RSF8-ADJUST	\$205.00
	RSF10-ADJUST	\$260.00
RSF 340mm-500mm Insulated Adjustable Pipe, Black	RSF6-ADJUST-BLK	\$185.00
	RSF8-ADJUST-BLK	\$245.00
RSF Insulated 90° Tee with Cap	RSF6-TEE	\$260.00
	RSF8-TEE	\$450.00
RSF Insulated 45° Bend	RSF6-45oBEND	\$129.00
	RSF8-45oBEND	\$169.00
	RSF10-45oBEND	\$240.00
RSF Insulated 45° Bend, Painted	RSF6-45oBEND-BLK	\$149.00
	RSF8-45oBEND-BLK	\$189.00
	RSF10-45oBEND-BLK	\$280.00
1,000mm Painted Heat Shield	RSF6-SHIELDBLK	\$135.00
1,000mm Painted Double Heat Shield	RSF8-SHIELDBLK	\$165.00
	RSF6-SHIELDDBLCLK	\$190.00

**Insulated Flue Parts List (cont.)**
**6", 7", 8", 9", 10"**

Individual Item Description		Part Number	RRP inc GST
6" RSF Insulated Ceiling Ring		RSF6-CR	\$175.00
15°		RSF6-CR15	\$175.00
22°		RSF6-CR22	\$175.00
30°		RSF6-CR30	\$175.00
45°		RSF6-CR45	\$175.00
6" IFK Ceiling Ring			IFK6-CR
15°		IFK6-CR15	\$90.00
22°		IFK6-CR22	\$90.00
30°		IFK6-CR30	\$90.00
45°		IFK6-CR45	\$90.00
8" RSF Insulated Ceiling Ring			RSF8-CR
15°		RSF8-CR15	\$225.00
22°		RSF8-CR22	\$225.00
30°		RSF8-CR30	\$225.00
8" IFK Ceiling Ring			IFK8-CR
15°		IFK8-CR15	\$120.00
22°		IFK8-CR22	\$120.00
30°		IFK8-CR30	\$120.00
45°		IFK8-CR45	\$120.00
10" RSF Insulated Ceiling Ring			RSF10-CR
15°		RSF10-CR15	\$325.00
22°		RSF10-CR22	\$325.00
30°		RSF10-CR30	\$325.00
10" IFK Ceiling Ring			IFK10-CR
15°		IFK10-CR15	\$120.00
22°		IFK10-CR22	\$120.00
30°		IFK10-CR30	\$120.00
45°		IFK10-CR45	\$120.00
6" RSF End Cap			RSF6-CAP
RSF Floor / Ceiling Uninsulated Ring, Black		RSF6-FCR-BLK	\$90.00
		RSF8-FCR-BLK	\$90.00
RSF Wall Plate		RSF6-WP	\$80.00
		RSF8-WP	\$80.00
		RSF10-WP	\$140.00
RSF Wall Plate, Black		RSF6-WP-BLK	\$90.00
		RSF8-WP-BLK	\$90.00
		RSF10-WP-BLK	\$150.00
RSF 45° Wall Plate		RSF6-WP45	\$80.00
		RSF8-WP45	\$80.00
		RSF10-WP45	\$140.00
RSF 45° Wall Plate, Black		RSF6-WP45-BLK	\$90.00
		RSF8-WP45-BLK	\$90.00
		RSF10-WP45-BLK	\$150.00

**Insulated Flue Parts List (Cont.)**
**6", 7", 8", 9", 10"**







Individual Item Description		Part Number	RRP inc GST
6" Locking Band		RSF6-LB	\$20.00
8" Locking Band		RSF8-LB	\$20.00
10" Locking Band		RSF10-LB	\$20.00
6" Locking Band High Wind		RSF6-LBHW	\$30.00
8" Locking Band High Wind		RSF8-LBHW	\$30.00
10" Locking Band High Wind		RSF10-LBHW	\$30.00
5" RSF Adaptor (Connects standard 5" to 6" RSF)		RSF6-5ADAPTOR	\$45.00
6" RSF Adaptor (Connects standard 6" to 6" RSF)		RSF6-6ADAPTOR	\$45.00
7" RSF Adaptor (Connects standard 7" to 6" RSF)		RSF6-7ADAPTOR	\$45.00
8" RSF Adaptor (Connects standard 8" to 8" RSF)		RSF8-8ADAPTOR	\$65.00
9" RSF Adaptor (Connects standard 9" to 8" RSF)		RSF8-9ADAPTOR	\$75.00
9" RSF Adaptor (Connects standard 9" to 10" RSF)		RSF10-9ADAPTOR	\$110.00
10" RSF Adaptor (Connects standard 10" to 10" RSF)		RSF10-10ADAPTOR	\$90.00
RSF Insulated Cowl		RSF6-COWL	\$125.00
		RSF8-COWL	\$165.00
		RSF10-COWL	\$220.00
RSF Insulated Cowl, Black		RSF6-COWL-BLK	\$145.00
		RSF8-COWL-BLK	\$185.00
		RSF10-COWL-BLK	\$240.00



	<b>A</b> Inside Diameter	<b>B</b> Outside Diameter	<b>C</b> Clearance
RSFPF	80mm	135mm	25mm
RSF6	150mm	200mm	25mm
RSF8	200mm	250mm	25mm
RSF10	250mm	300mm	25mm



# Insulated Room Sealed Flue Kit Flashing

## METAL Roof Flashing

	BAL	Description	Code		RRP inc GST		
					Single	Box of 10	
<b>RSF6</b>	0 - 30°	BAL 12.5	RSF Flash-No7-BAL12.5	FLASH MR7		\$69.00	\$660.00
		BAL 29	RSF Flash-No7-BAL29	FLASH MR7B		\$190.00	
	30° - 45°	BAL 12.5	RSF Flash-No8-BAL12.5	FLASH MR8		\$79.00	\$750.00
		BAL 29	RSF Flash-No8-BAL29	FLASH MR8B		\$220.00	
<b>RSF8 &amp; RSF10</b>	0 - 30°	BAL 12.5	RSF Flash-No8-BAL12.5	FLASH MR8		\$79.00	\$750.00
		BAL 29	RSF Flash-No8-BAL29	FLASH MR8B		\$220.00	
	30° - 45°	BAL 12.5	RSF Flash-No9-BAL12.5	FLASH MR9		\$140.00	\$1,340.00
		BAL 29	RSF Flash-No9-BAL29	FLASH MR9B		\$290.00	
<b>RSF PELLET</b>	0 - 30°	BAL 12.5	RSF Flash-No4-BAL12.5	FLASH MR4		\$44.00	\$380.00
		BAL 29	RSF Flash-No4-BAL29	FLASH MR4B		\$120.00	
	30° - 45°	BAL 12.5	RSF Flash-No5-BAL12.5	FLASH MR5		\$49.00	\$440.00
		BAL 29	RSF Flash-No5-BAL29	FLASH MR5B		\$160.00	

*BAL40 Flashing POA*

## TILE Roof Flashing

	BAL	Description	Code		RRP inc GST	
					Single	Box of 2
<b>RSF6 &amp; RSF8</b>	BAL 12.5	RSF Flash-Tile5	FLASHTR5		\$190.00	\$280.00
	BAL 29	RSF Flash-Tile5-BAL29	FLASHTR5B		\$520.00	
<b>RSF PELLET</b>	BAL 12.5	RSF Flash-Tile4	FLASHTR4		\$120.00	\$220.00
	BAL 29	RSF Flash-Tile4-BAL29	FLASHTR4B		\$330.00	

*BAL40 Flashing POA*

## CANVAS Flashing

*Designed for Yurts / Tents / Canvas roofs*

	Description	Code	RRP inc GST
<b>RSF6</b>	RSF Sticky back flashing for canvas	FLASHCAN	\$390.00

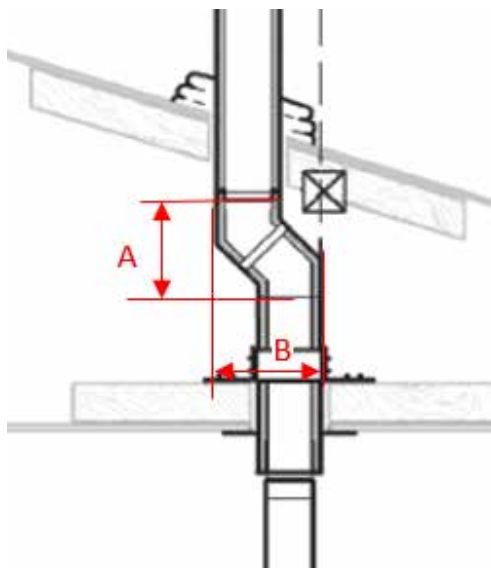


# Insulated Room Sealed Flue Kit

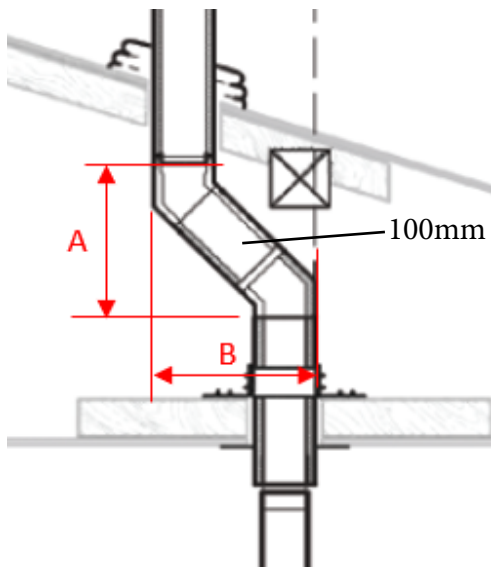
## Offset Bends



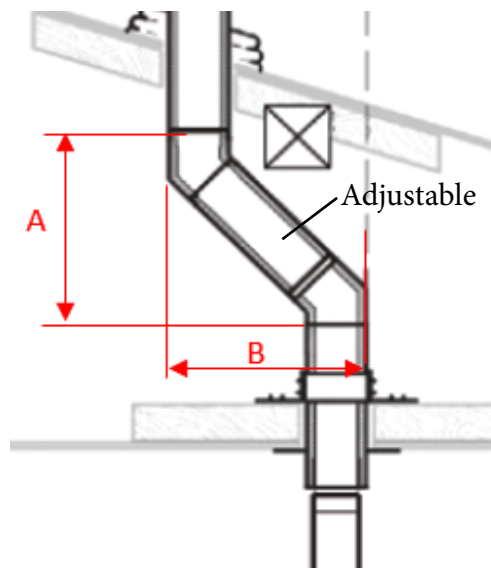
Easy to install



		45 degree bend	
		A	B
RSFPPF	Ø80	251	234
RSF6	Ø150	318	332
RSF8	Ø200	354	397
RSF10	Ø250	390	461



		45 degree bend +100mm straight	
		A	B
RSFPPF	Ø80	321	304
RSF6	Ø150	389	402
RSF8	Ø200	425	468
RSF10	Ø250	461	532



		45 degree bend + adjustable flue 340-500mm			
		<i>Contracted</i>		<i>Expanded</i>	
		A1	B1	A2	B2
RSFPPF	Ø80	514	497	640	623
RSF6	Ø150	581	595	707	721
RSF8	Ø200	617	660	743	786
RSF10	Ø250	623	724	779	850

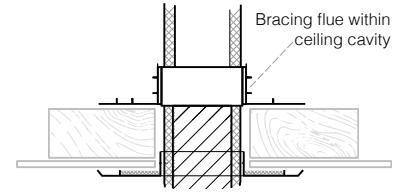
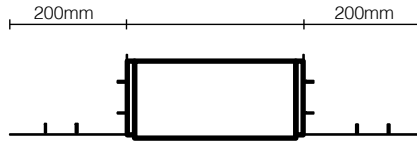


# Insulated Room Sealed Flue Kit

## Bracing Options

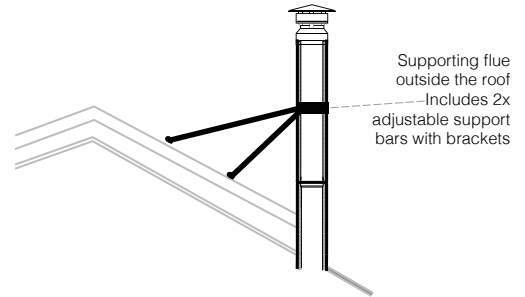
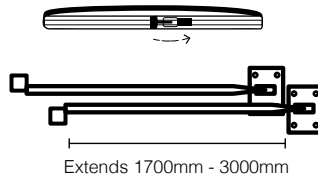
### Ceiling Support Brace RSF CS

Braces flue  
Inside your ceiling



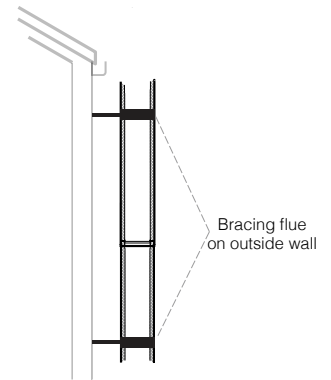
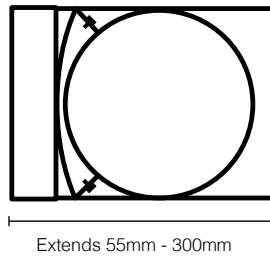
### Roof Bracing Kit RSF RB

Braces flue  
Outside on your roof



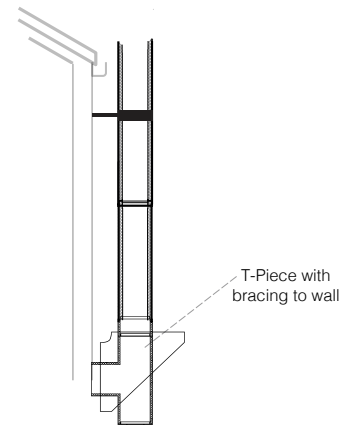
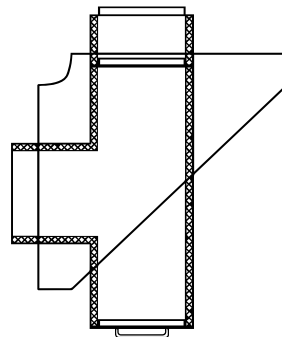
### Adjustable Wall Brace RSF WB

Braces flue  
Outside wall



### Tee Wall Bracket RSF TWB

T Brace  
Braces Tee to outside wall



RSF Bracing options

Individual Item Description	Part Number	RRP inc GST
Ceiling Support Brace	RSF6-CS	\$99.00
	RSF8-CS	\$99.00
	RSF10-CS	\$140.00
	RSFPPF-CS	\$99.00
Roof Bracing Kit <i>with arms</i>	RSF6-RB	\$99.00
	RSF8-RB	\$99.00
	RSF10-RB	\$140.00
	RSFPPF-RB	\$99.00
Adjustable Wall Brace	RSF6-WB	\$99.00
	RSF8-WB	\$99.00
	RSFPPF-WB	\$99.00
RSF Tee Bracket	RSF6-TWB	\$160.00
	RSFPPF-TWB	\$160.00

# Enhance your fireplace with VLAZE

AVAILABLE IN 3 FINISHES



Black



Crackle



Splatter

## VLAZE Hearths

2 SIZES AVAILABLE

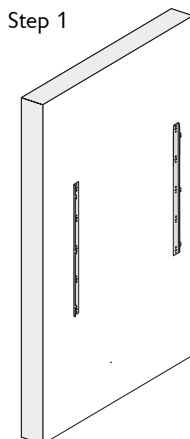
1,050 x 1,050 Hearth BLACK	\$950.00
1,050 x 1,050 Hearth SPLATTER	\$1,190.00
1,050 x 1,050 Hearth CRACKLE	\$1,190.00
1,200 x 1,200 Hearth BLACK	\$1,190.00
1,200 x 1,200 Hearth SPLATTER	\$1,390.00
1,200 x 1,200 Hearth CRACKLE	\$1,390.00

## VLAZE Heat Shields

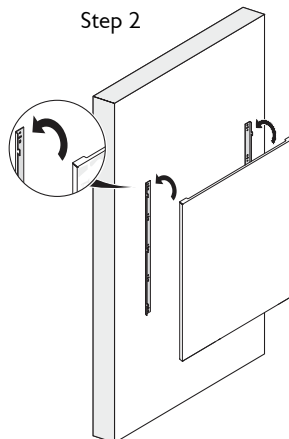


1,200 x 1,050 Heat Shield BLACK	\$1,090.00
1,200 x 1,050 Heat Shield SPLATTER	\$1,390.00
1,200 x 1,050 Heat Shield CRACKLE	\$1,390.00

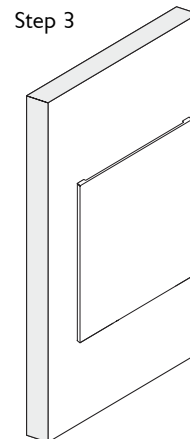
EASY TO INSTALL



Step 1



Step 2



Step 3

# Insulated Room Sealed Flue Kit Video Library



Need more information?

Scan for our full Video Library on installing  
and using Insulated Flue & componentry

---

## Insulated Room Sealed Flue Kit Watch a full installation



Metal Roof



Tile Roof



497 Victoria St  
Abbotsford, VIC 3067  
03 9416 0400

**oblica.com.au**



7 Year Limited Warranty on Flue  
1 Year Limited Warranty on Cowl  
Please see full Terms & Conditions