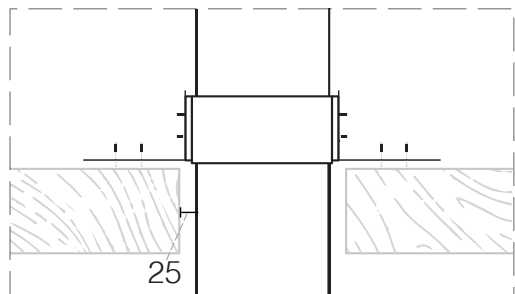


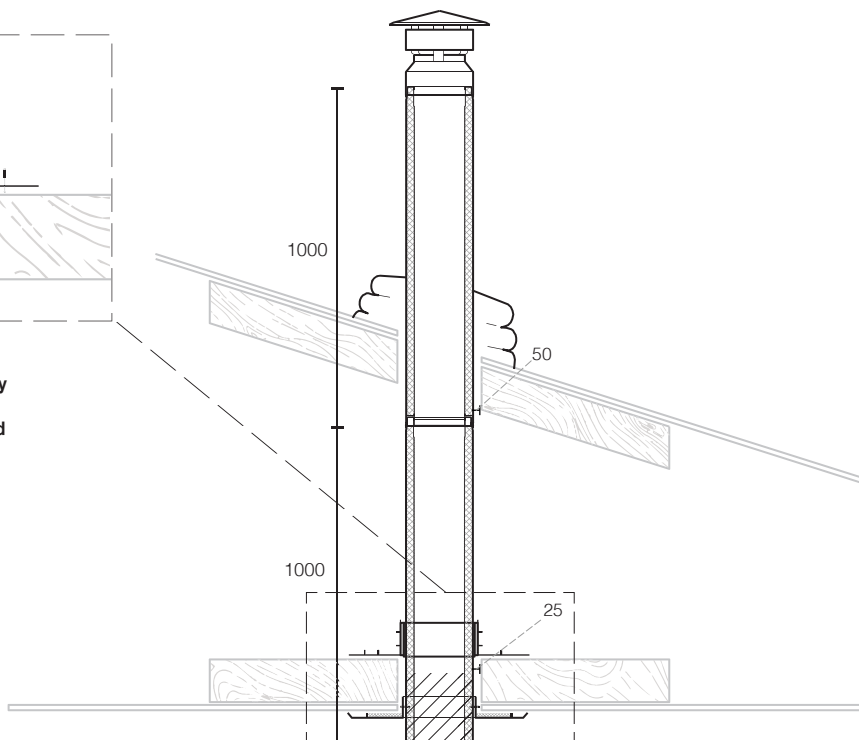
Insulated Room Seal Flue Kit

Pyro Fires 4m Flue Kit

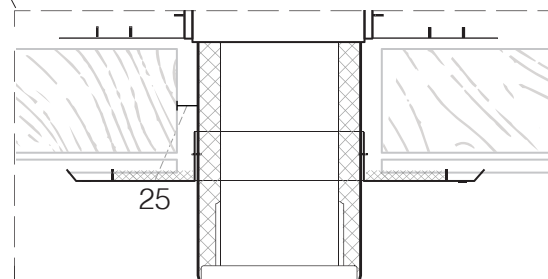
Support Brace



NOTE:
 The support brace must be used. It has the ability to adjust to any angle of adjacent roof beams
 *There is a 25mm clearance between the flue and any timber at all times

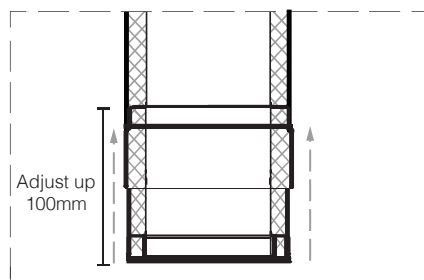


Ceiling Ring



NOTE:
 There is a 25mm clearance between the flue and any timber at all times

Adjustable length



NOTE:
 Adjustable piece to be extended up 100mm and locked in place with a screw at rear. (screw not supplied)

1000
1000
1000
470

