






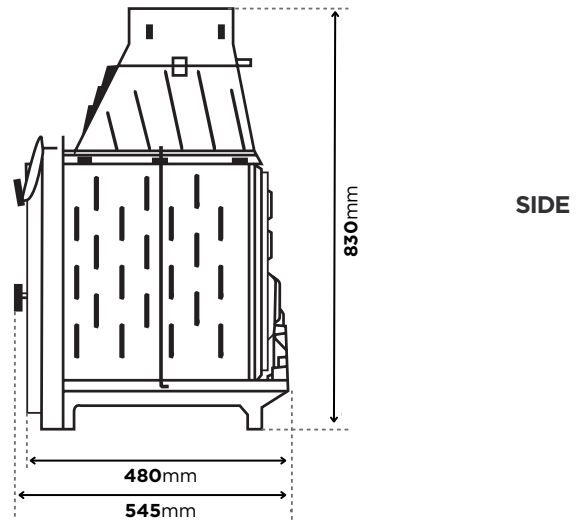
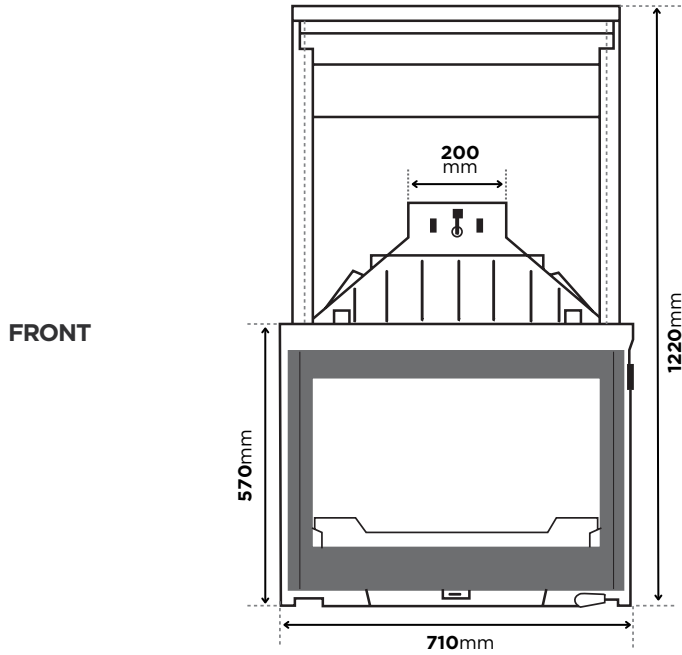


SEGUIN EUROPA 7

The Seguin Europa 7 Cheminee Fireplace is a masterpiece of French craftsmanship, designed to bring both elegance and warmth to any living space.

This fireplace features a robust cast iron build, ensuring durability and efficient heat distribution. Its sleek, modern design seamlessly integrates with various interior styles, while the large glass door offers an unobstructed view of the mesmerising flames. The Europa 7 combines traditional charm with contemporary sophistication, making it the perfect focal point your space.

-  100% Pure Original Cast Iron Firebox
-  Includes Firegrate and Ashpan
-  Double Air Flow System (DAFS)
-  Freestanding or Inbuilt Installation Option
-  Optional Outdoor Air Kit



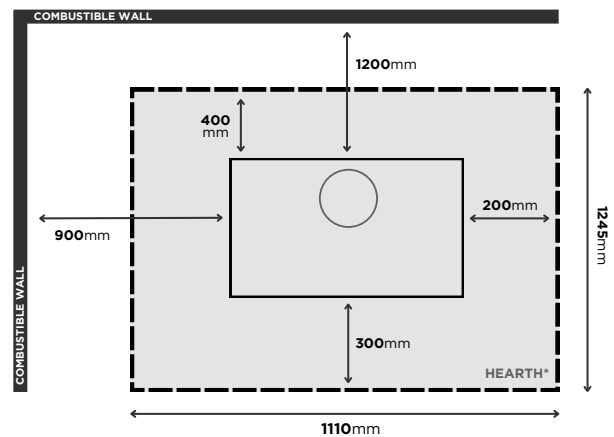
MATERIAL	100% PURE ORIGINAL CAST IRON 8MM -12MM THICKNESS, FIREBRICKS
HEATING CAPACITY	150M2 - 250M2
KW OUTPUT	13.3 AVERAGE / 17.9 KW PEAK
EFFICIENCY	60% AVERAGE
EMISSIONS	1.2 G / KG
FACADE	CLEAN EDGE, TRIM OPTIONS AVAILABLE
INTERIOR	CAST IRON LINED
GLASS DOOR	SWING, SWING & LIFT
MINIMUM FLUE HEIGHT	4.6 METERS
FLUE SIZES	200, 250, 300 MM
OUTSIDE AIR KIT	RECOMMENDED FOR WELL INSULATED HOMES
WARRANTY	10 YEAR WARRANTY **
WEIGHT	170 KG

TESTED WITH INSULATED FLUE, CLEARANCES TO COMBUSTIBLES MAY VARY.

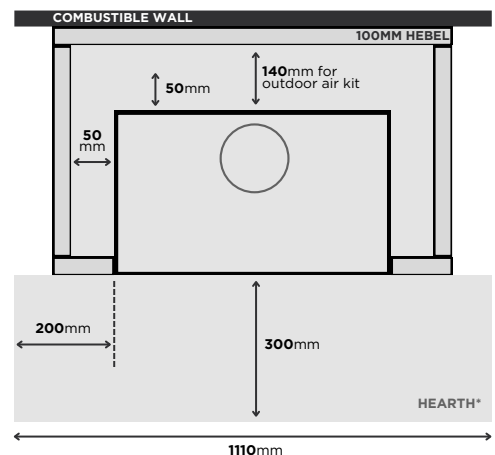
* Heating capacity of the following appliances are a guide only and refers to areas with 2.4m ceilings and 6 or more star rated buildings. Heating output may vary depending on factors such as characteristics, quality of insulation, type of firewood used and climate zone. ** See warranty section in the installation manual for further details. *** Refer to the Installation Manual for full hearth dimensions and clearances.

Disclaimer: E&OE Images and diagrams are for illustration purposes only. Please note that all product measurements provided are approximate and may vary by 1-5 mm. Sculpt reserves the right to change these specifications without prior notice. This information does not replace the installation manual which provides more in depth information. Must be installed in a full masonry enclosure as per Australian & New Zealand standards AS/NZS 2918:2001. All rights retained © Copyright 2024 Sculpt Fireplace Collection (ABN: 48 107 321 719)

STRAIGHT WALL APPLICATION



INBUILT APPLICATION



***HEARTH MUST BE A MINIMUM OF 150MM THICK**